

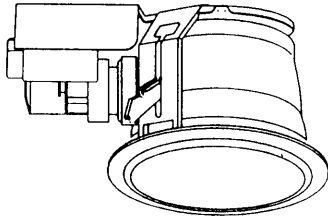
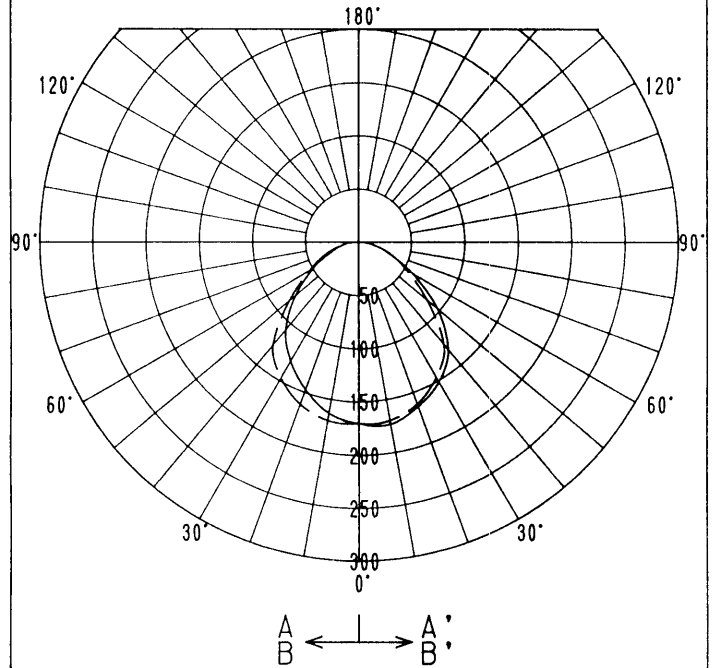
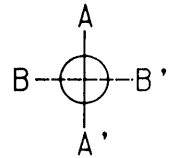
屋内照明器具特性



| | | | |
|----|-----------|----|---|
| 品番 | DF-2234 | | |
| 光源 | FDL27EX-L | | |
| 光束 | 1550Lm | 灯数 | 1 |

配光曲线

cd/1000Lm



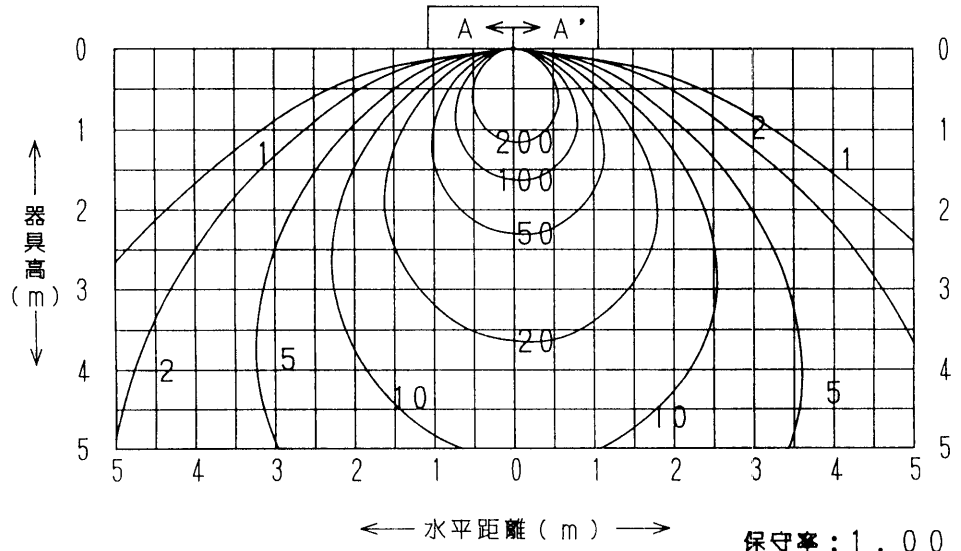
直射水平面照度

单位: Lx

| | |
|------|--------|
| 器具効率 | 43.8% |
| 上方光束 | 0.2% |
| 下方光束 | 43.6% |
| 保守率 | 良 0.74 |
| | 中 0.70 |
| | 否 0.62 |

最大取付間隔

| | |
|------|-------|
| A-A' | 1.13H |
| B-B' | 1.28H |



照明率表

| 天井面 | 80% | | | | 70% | | | | 50% | | | | 30% | | | | 0 |
|-------|-----|----|----|----|-----|----|----|----|-----|----|----|----|-----|----|----|----|----|
| | 70 | 50 | 30 | 10 | 70 | 50 | 30 | 10 | 70 | 50 | 30 | 10 | 70 | 50 | 30 | 10 | 0 |
| 壁面 | 10% | | | | | | | | | | | | | | | | 0 |
| 床面 | 10% | | | | | | | | | | | | | | | | 0 |
| 室指数 | | | | | | | | | | | | | | | | | |
| 0.60 | 26 | 21 | 18 | 16 | 26 | 21 | 18 | 16 | 25 | 21 | 18 | 16 | 24 | 20 | 18 | 16 | 15 |
| 0.80 | 30 | 26 | 22 | 20 | 30 | 25 | 22 | 20 | 28 | 25 | 22 | 20 | 27 | 24 | 21 | 20 | 19 |
| 1.00 | 33 | 29 | 26 | 23 | 33 | 28 | 25 | 23 | 31 | 28 | 25 | 23 | 30 | 27 | 25 | 23 | 22 |
| 1.25 | 36 | 32 | 29 | 27 | 35 | 31 | 29 | 26 | 34 | 31 | 28 | 26 | 33 | 30 | 28 | 26 | 25 |
| 1.50 | 38 | 34 | 31 | 29 | 37 | 34 | 31 | 29 | 36 | 33 | 30 | 29 | 34 | 32 | 30 | 28 | 27 |
| 2.00 | 40 | 37 | 35 | 33 | 39 | 37 | 34 | 33 | 38 | 36 | 34 | 32 | 37 | 35 | 33 | 32 | 31 |
| 2.50 | 42 | 39 | 37 | 35 | 41 | 39 | 37 | 35 | 40 | 38 | 36 | 35 | 38 | 37 | 35 | 34 | 33 |
| 3.00 | 43 | 41 | 39 | 37 | 42 | 40 | 38 | 37 | 41 | 39 | 38 | 36 | 40 | 38 | 37 | 36 | 35 |
| 4.00 | 44 | 42 | 41 | 39 | 43 | 42 | 40 | 39 | 42 | 41 | 40 | 38 | 41 | 40 | 39 | 38 | 37 |
| 5.00 | 45 | 43 | 42 | 41 | 44 | 43 | 42 | 40 | 43 | 42 | 41 | 40 | 42 | 41 | 40 | 39 | 38 |
| 7.00 | 45 | 44 | 43 | 43 | 45 | 44 | 43 | 42 | 44 | 43 | 42 | 41 | 43 | 42 | 41 | 41 | 39 |
| 10.00 | 46 | 45 | 44 | 44 | 45 | 45 | 44 | 43 | 44 | 44 | 43 | 43 | 43 | 43 | 42 | 42 | 40 |