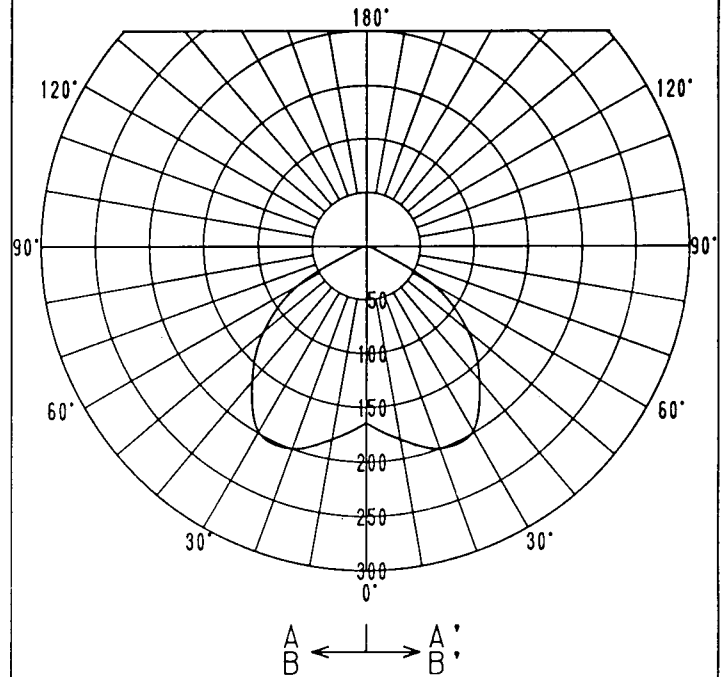
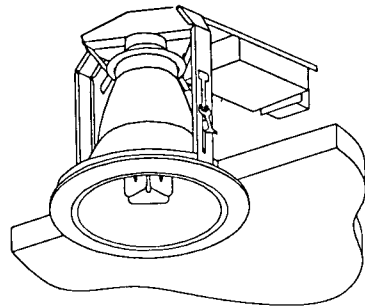
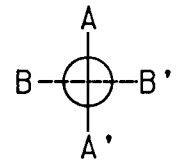


屋内照明器具特性



| | | | |
|----|---------------------|----|---|
| 品番 | DF-2632 | | |
| 光源 | FHT32EX-L (100%点灯時) | | |
| 光束 | 2400Lm | 灯数 | 1 |

配光曲線
cd/1000Lm



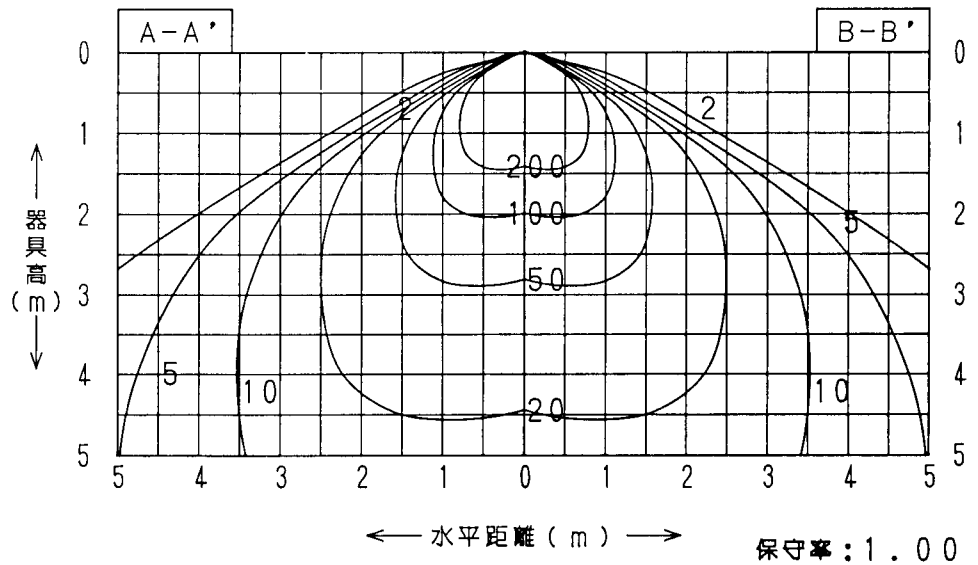
直射水平面照度

単位：Lx

| | |
|------|--------|
| 器具効率 | 52.4% |
| 上方光束 | 0.0% |
| 下方光束 | 52.4% |
| 保守率 | 良 0.74 |
| | 中 0.70 |
| | 否 0.62 |

最大取付間隔

| | |
|------|-------|
| A-A' | 1.59H |
| B-B' | 1.59H |



照明率表

| | 80% | | | | 70% | | | | 50% | | | | 30% | | | | 0 |
|-------|-----|-----|----|----|-----|-----|----|----|-----|-----|----|----|-----|-----|----|----|----|
| | 70 | 50 | 30 | 10 | 70 | 50 | 30 | 10 | 70 | 50 | 30 | 10 | 70 | 50 | 30 | 10 | |
| 天井面 | | | | | | | | | | | | | | | | | |
| 壁面 | | | | | | | | | | | | | | | | | |
| 床面 | | 10% | | | | 10% | | | | 10% | | | | 10% | | | |
| 室指数 | | | | | | | | | | | | | | | | | |
| 0.60 | 32 | 26 | 22 | 20 | 32 | 26 | 22 | 20 | 30 | 25 | 22 | 20 | 29 | 25 | 22 | 20 | 19 |
| 0.80 | 37 | 32 | 28 | 25 | 37 | 31 | 28 | 25 | 35 | 31 | 27 | 25 | 34 | 30 | 27 | 25 | 24 |
| 1.00 | 41 | 36 | 32 | 30 | 40 | 36 | 32 | 30 | 39 | 35 | 32 | 29 | 38 | 34 | 31 | 29 | 28 |
| 1.25 | 44 | 40 | 37 | 34 | 43 | 39 | 36 | 34 | 42 | 39 | 36 | 34 | 41 | 38 | 35 | 33 | 32 |
| 1.50 | 46 | 43 | 40 | 37 | 46 | 42 | 39 | 37 | 44 | 41 | 39 | 37 | 43 | 40 | 38 | 36 | 35 |
| 2.00 | 49 | 46 | 44 | 42 | 49 | 46 | 44 | 42 | 47 | 45 | 43 | 41 | 46 | 44 | 42 | 41 | 40 |
| 2.50 | 51 | 49 | 46 | 45 | 50 | 48 | 46 | 44 | 49 | 47 | 45 | 44 | 48 | 46 | 45 | 43 | 42 |
| 3.00 | 52 | 50 | 48 | 47 | 51 | 50 | 48 | 46 | 50 | 49 | 47 | 46 | 49 | 48 | 46 | 45 | 44 |
| 4.00 | 53 | 52 | 50 | 49 | 53 | 51 | 50 | 49 | 51 | 50 | 49 | 48 | 50 | 49 | 48 | 47 | 46 |
| 5.00 | 54 | 53 | 52 | 51 | 53 | 52 | 51 | 50 | 52 | 51 | 50 | 49 | 51 | 50 | 49 | 49 | 47 |
| 7.00 | 55 | 54 | 53 | 52 | 54 | 53 | 53 | 52 | 53 | 52 | 52 | 51 | 52 | 51 | 51 | 50 | 49 |
| 10.00 | 55 | 55 | 54 | 53 | 55 | 54 | 53 | 53 | 54 | 53 | 52 | 52 | 52 | 52 | 51 | 51 | 50 |