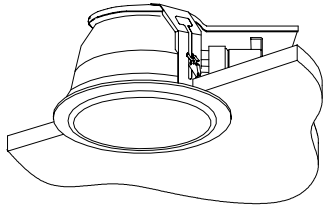


# 屋内照明器具特性

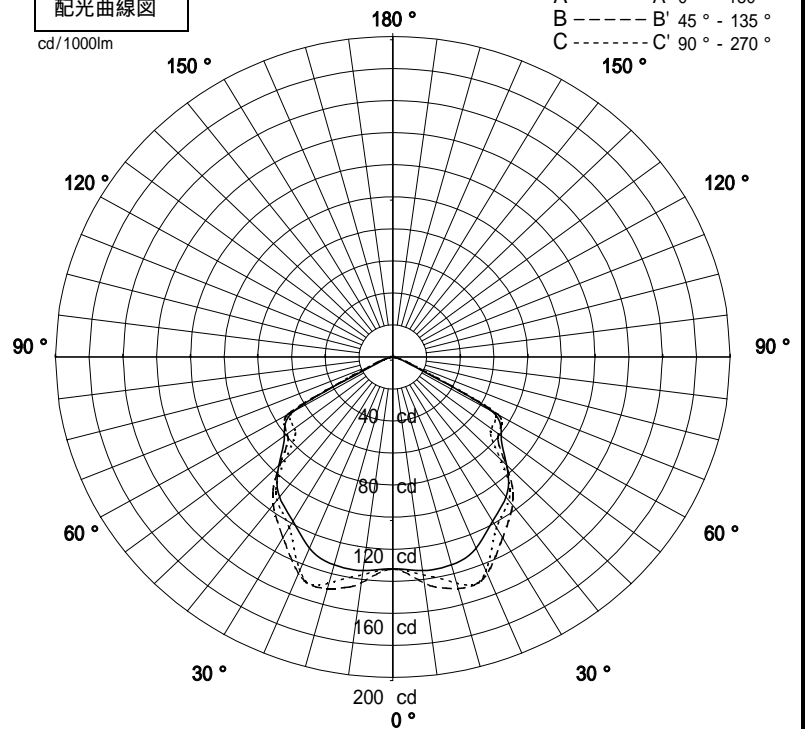


|    |           |    |     |
|----|-----------|----|-----|
| 品名 | DF-3054   |    |     |
| 光源 | FHT42EX-L |    |     |
| 光束 | 3200 Lm   | 灯数 | 1 灯 |



配光曲線図

cd/1000lm

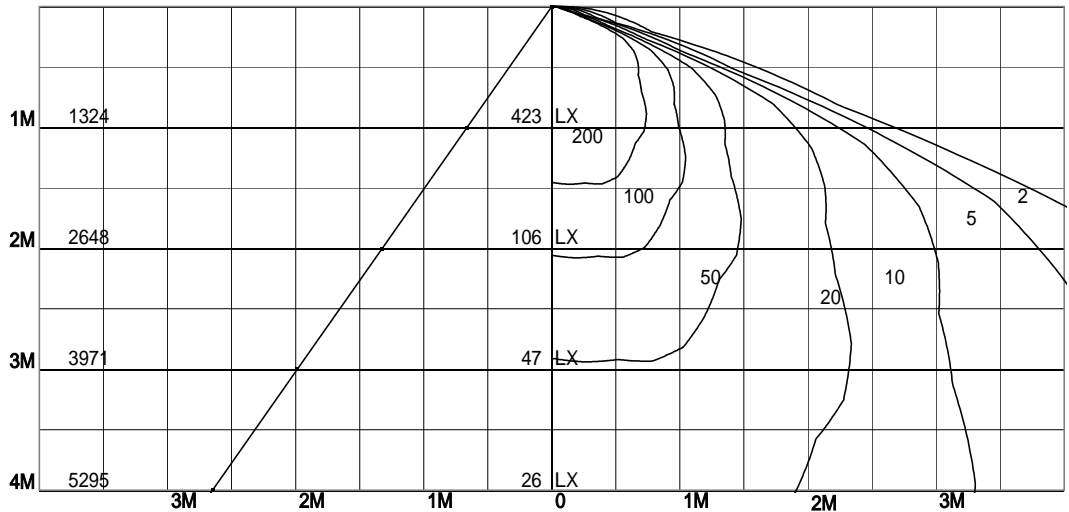


1/2照度角

直射水平面照度

単位:Lx

|        |      |      |
|--------|------|------|
| 器具効率   | 38.0 | %    |
| 上方効率   | 0.0  | %    |
| 下方効率   | 38.0 | %    |
| 保守率    | 良    | 0.74 |
|        | 中    | 0.7  |
|        | 否    | 0.61 |
| 1/2照度角 |      |      |
| A - A' | 67.0 | Deg  |
| C - C' | 70.0 | Deg  |
| 最大取付間隔 |      |      |
| A - A' | 1.32 | H    |
| C - C' | 1.40 | H    |



照明率表

|       | 80% |     |     |     | 70% |     |     |     | 50% |     |     |     | 30% |     |     |     | 0% |
|-------|-----|-----|-----|-----|-----|-----|-----|-----|-----|-----|-----|-----|-----|-----|-----|-----|----|
|       | 70% | 50% | 30% | 10% | 70% | 50% | 30% | 10% | 70% | 50% | 30% | 10% | 70% | 50% | 30% | 10% | 0% |
| 天井    |     |     |     |     |     |     |     |     |     |     |     |     |     |     |     |     |    |
| 壁     |     |     |     |     |     |     |     |     |     |     |     |     |     |     |     |     |    |
| 床     |     |     |     |     |     |     |     |     |     |     |     |     |     |     |     |     |    |
| 0.60  | 22  | 18  | 15  | 13  | 22  | 18  | 15  | 13  | 21  | 17  | 15  | 13  | 20  | 17  | 15  | 13  | 12 |
| 0.80  | 26  | 22  | 19  | 17  | 25  | 22  | 19  | 17  | 24  | 21  | 19  | 17  | 23  | 21  | 18  | 17  | 16 |
| 1.00  | 28  | 25  | 22  | 20  | 28  | 25  | 22  | 20  | 27  | 24  | 22  | 20  | 26  | 23  | 21  | 20  | 19 |
| 1.25  | 31  | 28  | 25  | 23  | 30  | 27  | 25  | 23  | 29  | 27  | 25  | 23  | 28  | 26  | 24  | 23  | 22 |
| 1.50  | 32  | 30  | 27  | 25  | 32  | 29  | 27  | 25  | 31  | 28  | 27  | 25  | 30  | 28  | 26  | 25  | 24 |
| 2.00  | 35  | 32  | 30  | 29  | 34  | 32  | 30  | 29  | 33  | 31  | 30  | 28  | 32  | 31  | 29  | 28  | 27 |
| 2.50  | 36  | 34  | 32  | 31  | 35  | 34  | 32  | 31  | 34  | 33  | 32  | 31  | 33  | 32  | 31  | 30  | 29 |
| 3.00  | 37  | 35  | 34  | 33  | 36  | 35  | 33  | 32  | 35  | 34  | 33  | 32  | 34  | 33  | 32  | 32  | 31 |
| 4.00  | 38  | 36  | 35  | 34  | 37  | 36  | 35  | 34  | 36  | 35  | 34  | 34  | 35  | 35  | 34  | 33  | 32 |
| 5.00  | 38  | 37  | 36  | 35  | 38  | 37  | 36  | 35  | 37  | 36  | 35  | 35  | 36  | 35  | 35  | 34  | 33 |
| 7.00  | 39  | 38  | 37  | 37  | 38  | 38  | 37  | 36  | 37  | 37  | 36  | 36  | 37  | 36  | 36  | 35  | 34 |
| 10.00 | 39  | 39  | 38  | 38  | 39  | 38  | 38  | 37  | 38  | 38  | 37  | 37  | 37  | 37  | 36  | 36  | 35 |