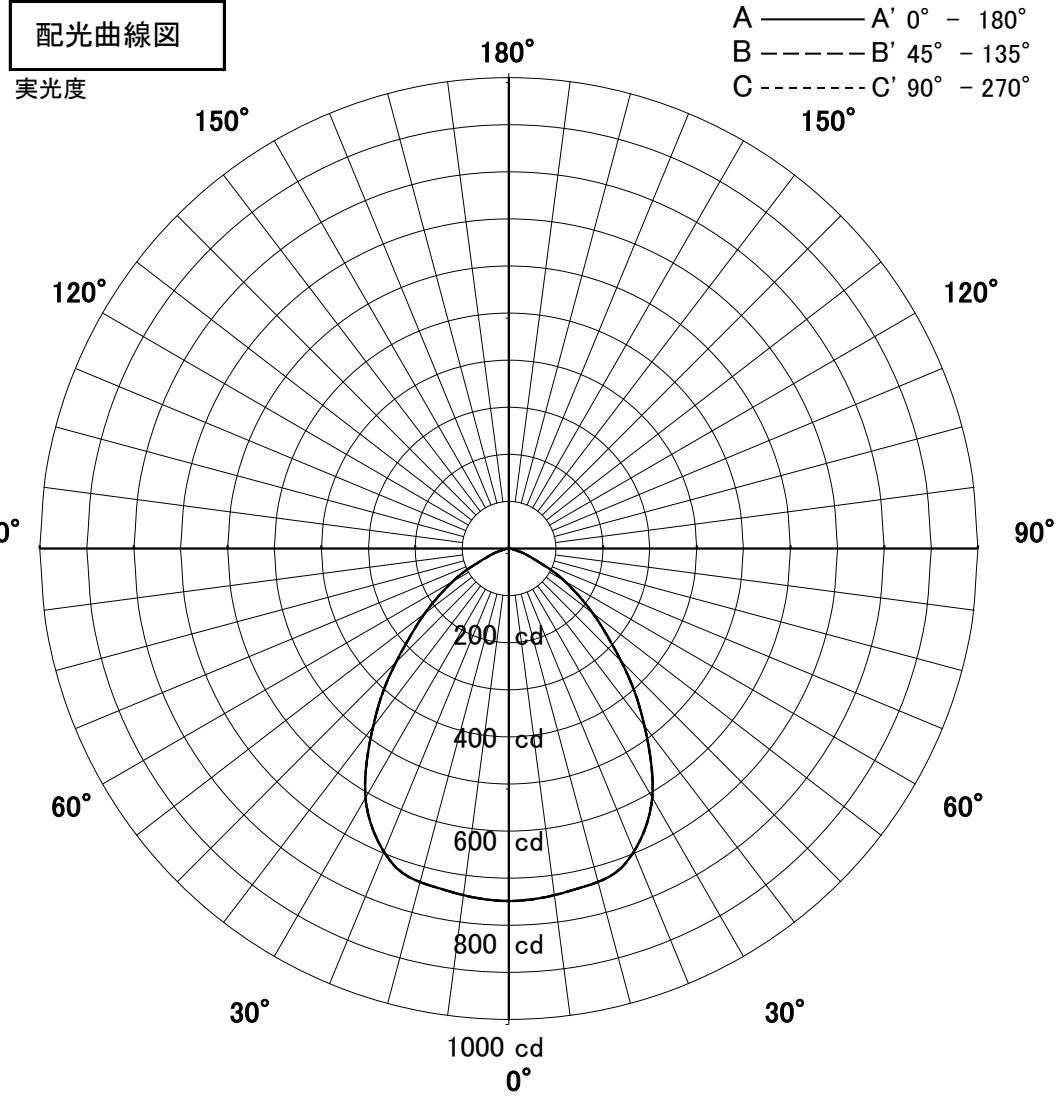
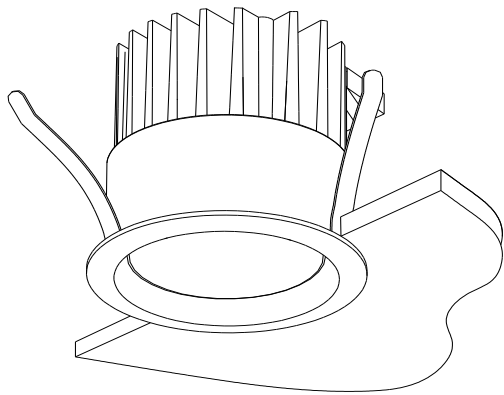


屋内照明器具特性



| | | | |
|----------------|-------------------|----|--------|
| 品名 | DD-3224-L | | |
| 光源 | LECF/24L-W15GHP30 | | |
| 実効光束 (器具光束) | 1469lm | 効率 | 60lm/W |

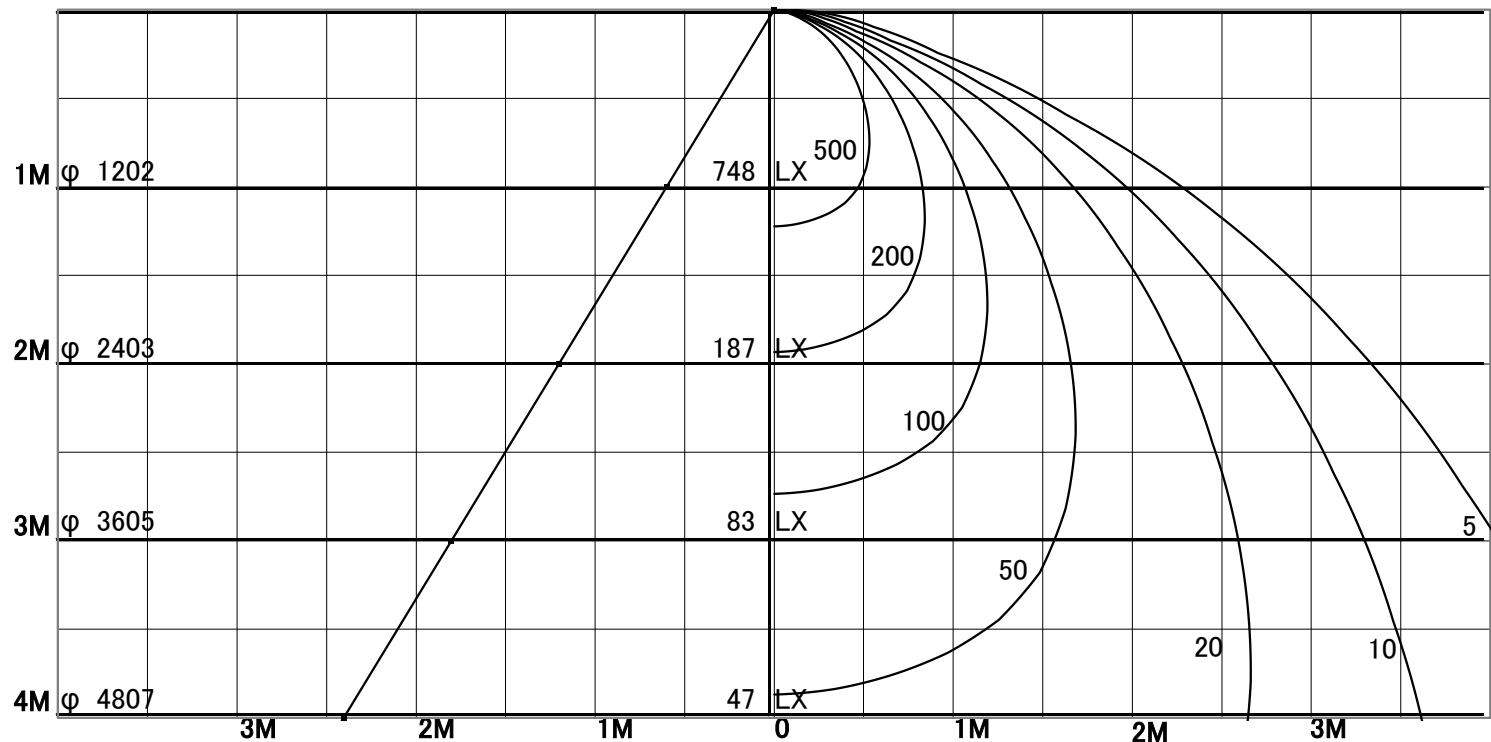


1/2照度角

直射水平面照度

単位:Lx

| | | |
|--------|-------|------|
| 色温度 | 3000K | |
| 演色評価指数 | Ra80 | |
| 保守率 | 良 | 0.8 |
| | 中 | 0.6 |
| | 否 | 0.54 |



照明率表

| 天井 | 80% | | | | 70% | | | | 50% | | | | 30% | | | | 0% |
|-------|-----|-----|-----|-----|-----|-----|-----|-----|-----|-----|-----|-----|-----|-----|-----|-----|----|
| | 70% | 50% | 30% | 10% | 70% | 50% | 30% | 10% | 70% | 50% | 30% | 10% | 70% | 50% | 30% | 10% | |
| 壁 | 10% | | | | | | | | | | | | | | | | |
| 床 | 10% | | | | | | | | | | | | | | | | |
| 0.60 | 65 | 55 | 49 | 44 | 64 | 55 | 48 | 44 | 62 | 54 | 48 | 44 | 60 | 53 | 48 | 44 | 42 |
| 0.80 | 74 | 64 | 58 | 53 | 72 | 64 | 58 | 53 | 70 | 62 | 57 | 53 | 68 | 61 | 56 | 53 | 51 |
| 1.00 | 80 | 72 | 65 | 61 | 79 | 71 | 65 | 61 | 76 | 69 | 64 | 60 | 74 | 68 | 64 | 60 | 58 |
| 1.25 | 85 | 78 | 72 | 68 | 84 | 77 | 72 | 68 | 82 | 76 | 71 | 67 | 79 | 74 | 70 | 67 | 65 |
| 1.50 | 89 | 82 | 77 | 73 | 88 | 82 | 77 | 73 | 85 | 80 | 76 | 72 | 83 | 78 | 75 | 72 | 70 |
| 2.00 | 94 | 89 | 85 | 81 | 93 | 88 | 84 | 81 | 90 | 86 | 83 | 80 | 88 | 85 | 82 | 79 | 77 |
| 2.50 | 97 | 93 | 89 | 86 | 96 | 92 | 89 | 86 | 93 | 90 | 87 | 85 | 91 | 88 | 86 | 84 | 82 |
| 3.00 | 99 | 96 | 93 | 90 | 98 | 95 | 92 | 89 | 96 | 93 | 90 | 88 | 93 | 91 | 89 | 87 | 85 |
| 4.00 | 101 | 99 | 96 | 94 | 100 | 98 | 95 | 93 | 98 | 96 | 94 | 92 | 95 | 94 | 92 | 91 | 88 |
| 5.00 | 103 | 100 | 98 | 96 | 101 | 99 | 97 | 96 | 99 | 97 | 96 | 94 | 97 | 95 | 94 | 93 | 90 |
| 7.00 | 104 | 102 | 101 | 99 | 103 | 101 | 100 | 99 | 100 | 99 | 98 | 97 | 98 | 97 | 96 | 95 | 93 |
| 10.00 | 105 | 104 | 103 | 102 | 104 | 103 | 102 | 101 | 101 | 100 | 100 | 99 | 99 | 98 | 98 | 97 | 94 |