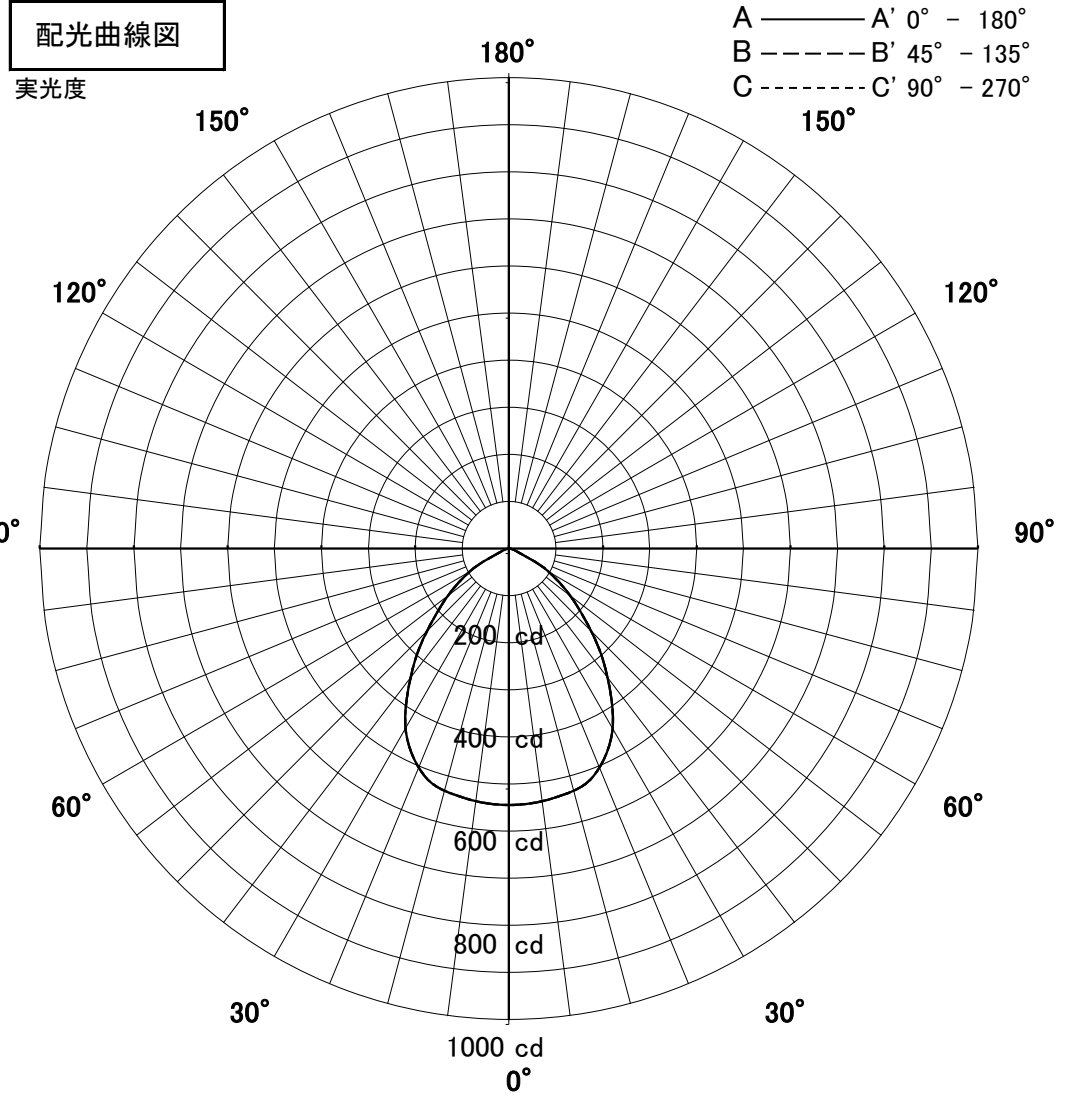
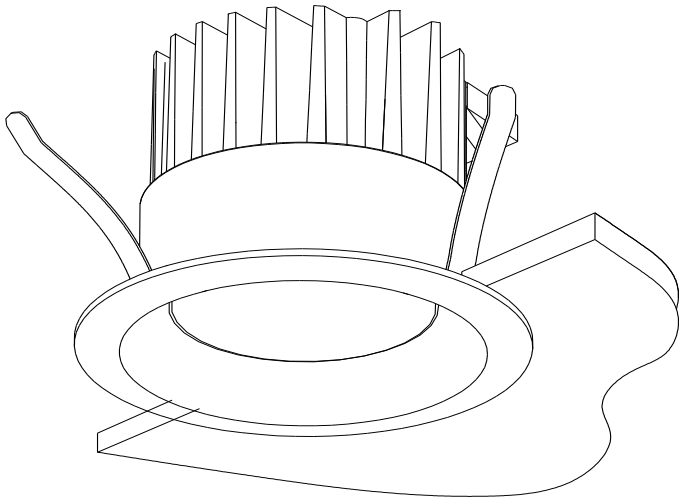


屋内照明器具特性



| | | | |
|----------------|------------------|----|--------|
| 品名 | DD-3242-L | | |
| 光源 | LEC4/17L-W11GH30 | | |
| 実効光束 (器具光束) | 1046lm | 効率 | 63lm/W |



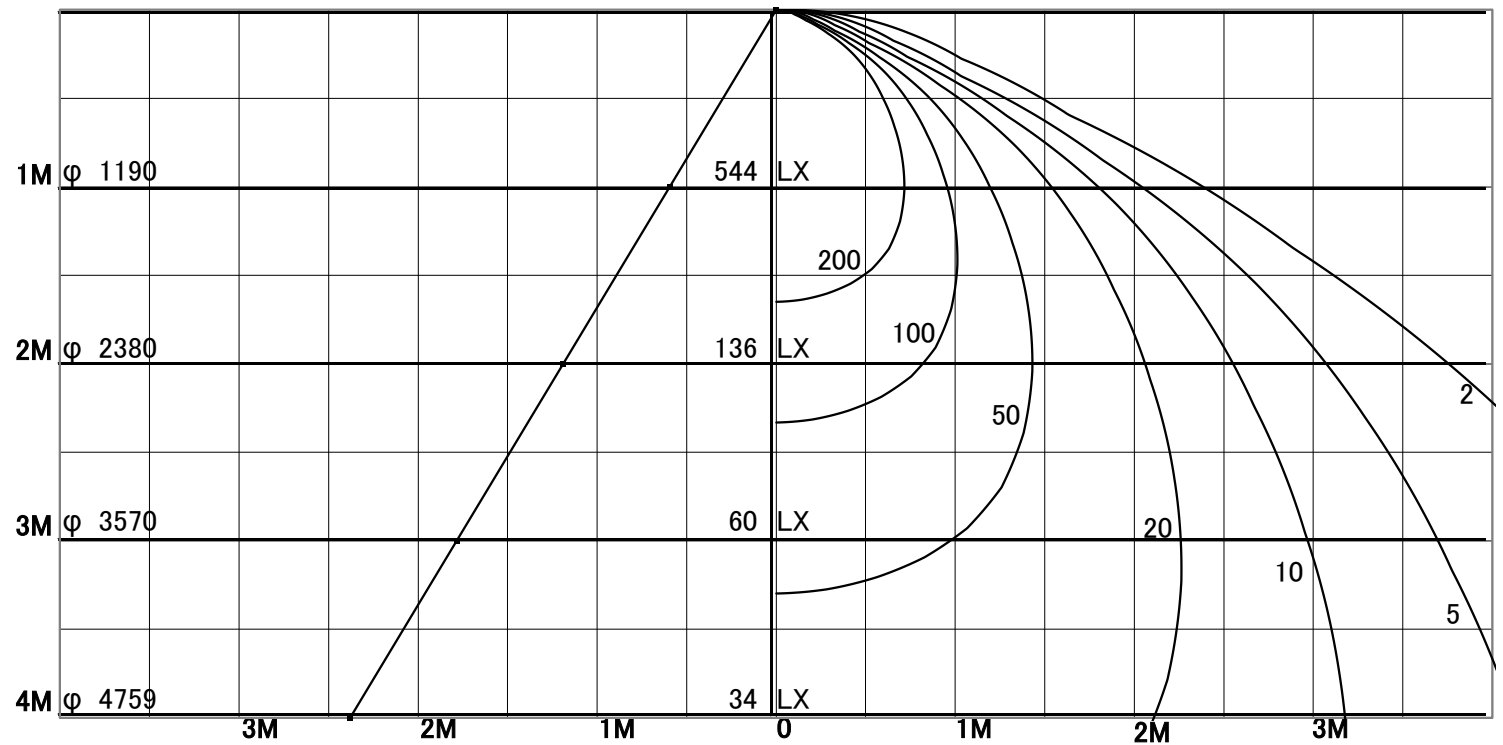
1/2照度角

直射水平面照度

単位:Lx

| | | |
|--------|-------|------|
| 色温度 | 3000K | |
| 演色評価指数 | Ra80 | |
| 保守率 | 良 | 0.8 |
| | 中 | 0.6 |
| | 否 | 0.54 |

| | | |
|--------|------|-----|
| 1/2照度角 | | |
| A-A' | 61.5 | Deg |
| C-C' | 61.5 | Deg |
| 最大取付間隔 | | |
| A-A' | 1.19 | H |
| C-C' | 1.19 | H |



照明率表

| 天井 | 80% | | | | 70% | | | | 50% | | | | 30% | | | | 0% |
|-------|-----|-----|-----|-----|-----|-----|-----|-----|-----|-----|-----|-----|-----|-----|-----|-----|----|
| | 70% | 50% | 30% | 10% | 70% | 50% | 30% | 10% | 70% | 50% | 30% | 10% | 70% | 50% | 30% | 10% | |
| 壁 | 10% | | | | | | | | | | | | | | | | |
| 床 | 10% | | | | | | | | | | | | | | | | |
| 0.60 | 66 | 56 | 49 | 45 | 64 | 55 | 49 | 45 | 62 | 54 | 49 | 44 | 61 | 53 | 48 | 44 | 43 |
| 0.80 | 74 | 65 | 59 | 54 | 73 | 64 | 58 | 54 | 71 | 63 | 58 | 54 | 69 | 62 | 57 | 53 | 52 |
| 1.00 | 81 | 72 | 66 | 62 | 79 | 71 | 66 | 61 | 77 | 70 | 65 | 61 | 75 | 69 | 64 | 61 | 59 |
| 1.25 | 86 | 79 | 73 | 69 | 85 | 78 | 73 | 69 | 82 | 76 | 72 | 68 | 80 | 75 | 71 | 68 | 66 |
| 1.50 | 90 | 83 | 78 | 74 | 88 | 82 | 78 | 74 | 86 | 81 | 77 | 73 | 83 | 79 | 76 | 73 | 71 |
| 2.00 | 95 | 90 | 85 | 82 | 93 | 89 | 85 | 82 | 91 | 87 | 84 | 81 | 89 | 85 | 82 | 80 | 78 |
| 2.50 | 98 | 93 | 90 | 87 | 96 | 92 | 89 | 86 | 94 | 91 | 88 | 85 | 92 | 89 | 87 | 85 | 82 |
| 3.00 | 99 | 96 | 93 | 90 | 98 | 95 | 92 | 90 | 96 | 93 | 91 | 89 | 94 | 91 | 89 | 88 | 85 |
| 4.00 | 102 | 99 | 96 | 94 | 100 | 98 | 96 | 94 | 98 | 96 | 94 | 92 | 96 | 94 | 92 | 91 | 89 |
| 5.00 | 103 | 100 | 98 | 97 | 101 | 99 | 98 | 96 | 99 | 97 | 96 | 94 | 97 | 96 | 94 | 93 | 91 |
| 7.00 | 104 | 102 | 101 | 99 | 103 | 101 | 100 | 99 | 100 | 99 | 98 | 97 | 98 | 97 | 96 | 95 | 93 |
| 10.00 | 105 | 104 | 103 | 101 | 104 | 103 | 102 | 101 | 101 | 100 | 100 | 99 | 99 | 98 | 98 | 97 | 94 |