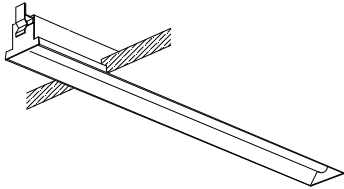


屋内照明器具特性

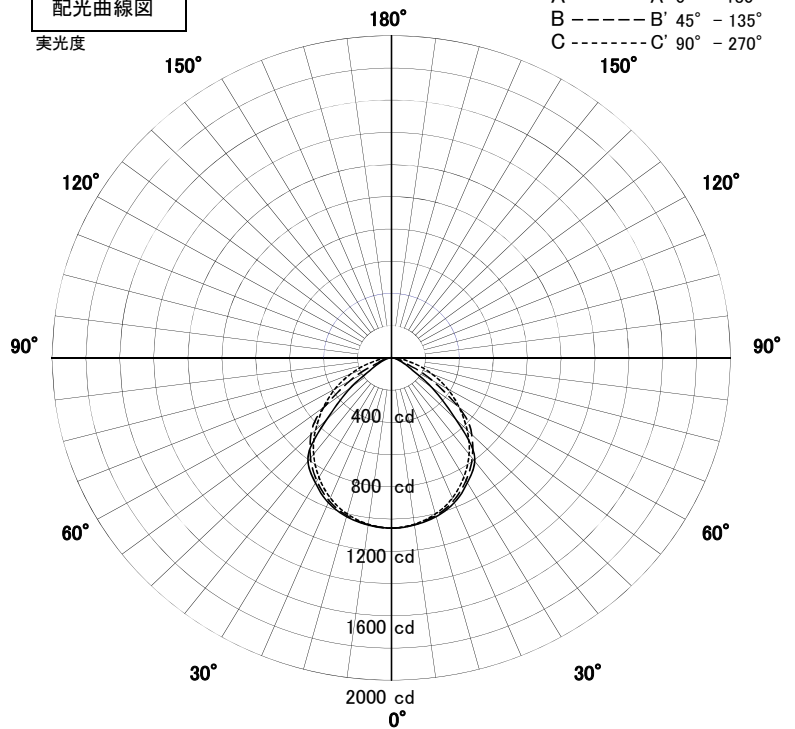


| | | | |
|----------------|-----------|----|----------|
| 品名 | DD-3273-W | | |
| 光源 | LED29W | | |
| 実効光束 (器具光束) | 2425lm | 効率 | 83.6lm/W |



配光曲線図

実光度



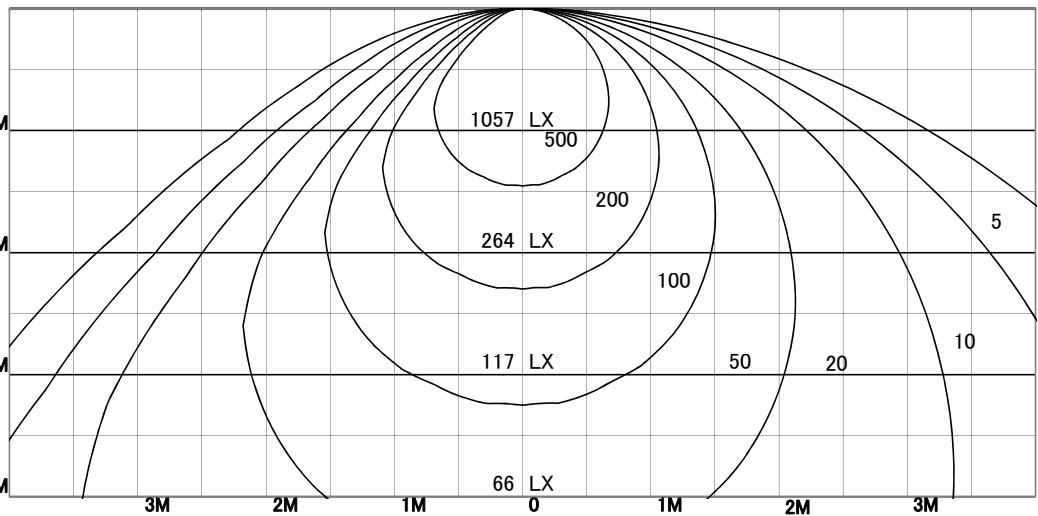
直射水平面照度

単位: Lx

A-A' Section

C-C' Section

| | | |
|--------|-------|------|
| 色温度 | 4000K | |
| 演色評価指数 | Ra80 | |
| 保守率 | 良 | 0.67 |
| | 中 | 0.63 |
| | 否 | 0.56 |
| 1/2照度角 | | |
| A-A' | 64.0 | Deg |
| C-C' | 62.0 | Deg |
| 最大取付間隔 | | |
| A-A' | 1.25 | H |
| C-C' | 1.20 | H |



照明率表

| | 80% | | | | 70% | | | | 50% | | | | 30% | | | | 0% |
|-------|-----|-----|-----|-----|-----|-----|-----|-----|-----|-----|-----|-----|-----|-----|-----|-----|----|
| | 70% | 50% | 30% | 10% | 70% | 50% | 30% | 10% | 70% | 50% | 30% | 10% | 70% | 50% | 30% | 10% | 0% |
| 天井 | | | | | | | | | | | | | | | | | |
| 壁 | | | | | | | | | | | | | | | | | |
| 床 | | | | | | | | | | | | | | | | | |
| 0.60 | 63 | 52 | 44 | 40 | 61 | 51 | 44 | 40 | 59 | 50 | 44 | 39 | 57 | 49 | 43 | 39 | 37 |
| 0.80 | 72 | 61 | 54 | 49 | 70 | 61 | 54 | 49 | 68 | 59 | 53 | 49 | 66 | 58 | 53 | 49 | 47 |
| 1.00 | 79 | 69 | 62 | 57 | 77 | 68 | 62 | 57 | 74 | 67 | 61 | 57 | 72 | 65 | 60 | 56 | 54 |
| 1.25 | 84 | 76 | 70 | 65 | 83 | 75 | 69 | 65 | 80 | 74 | 68 | 64 | 78 | 72 | 67 | 64 | 62 |
| 1.50 | 88 | 81 | 75 | 71 | 87 | 80 | 75 | 70 | 84 | 78 | 74 | 70 | 82 | 77 | 72 | 69 | 67 |
| 2.00 | 94 | 88 | 83 | 79 | 92 | 87 | 83 | 79 | 90 | 85 | 81 | 78 | 87 | 83 | 80 | 77 | 75 |
| 2.50 | 97 | 92 | 88 | 85 | 96 | 91 | 87 | 84 | 93 | 89 | 86 | 83 | 91 | 88 | 85 | 82 | 80 |
| 3.00 | 99 | 95 | 92 | 89 | 98 | 94 | 91 | 88 | 95 | 92 | 89 | 87 | 93 | 90 | 88 | 86 | 83 |
| 4.00 | 102 | 99 | 96 | 93 | 100 | 97 | 95 | 92 | 98 | 95 | 93 | 91 | 96 | 93 | 92 | 90 | 87 |
| 5.00 | 103 | 100 | 98 | 96 | 102 | 99 | 97 | 95 | 99 | 97 | 95 | 94 | 97 | 95 | 94 | 92 | 90 |
| 7.00 | 105 | 103 | 101 | 99 | 103 | 102 | 100 | 98 | 101 | 99 | 98 | 97 | 99 | 97 | 96 | 95 | 92 |
| 10.00 | 106 | 104 | 103 | 102 | 105 | 103 | 102 | 101 | 102 | 101 | 100 | 99 | 100 | 99 | 98 | 97 | 94 |