

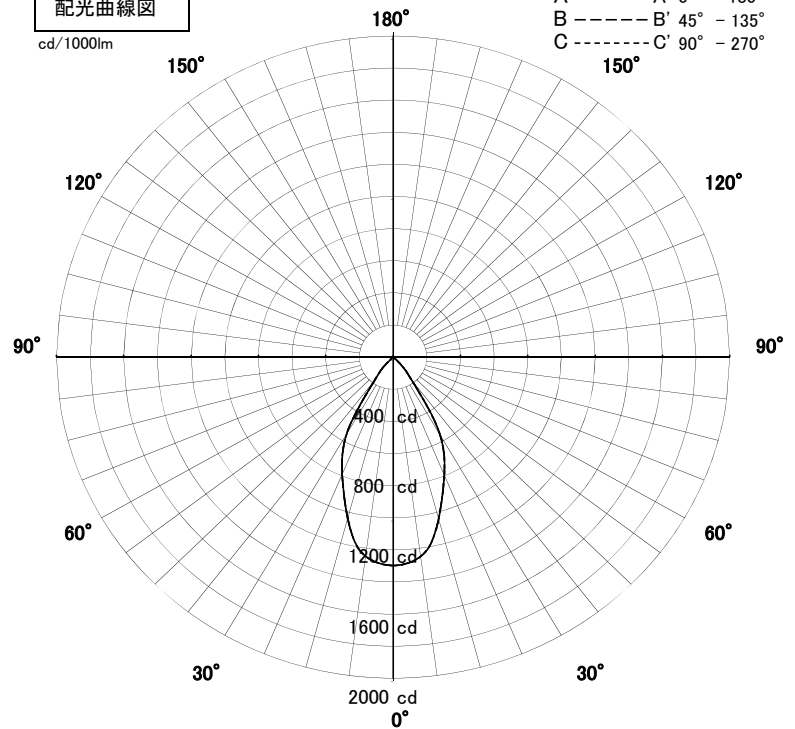
屋内照明器具特性



| | | | |
|----------------|--------------------|----|-------------------------|
| 品名 | DD-3320 | | |
| 光源 | LECF/10N-M10GH5085 | | |
| 実効光束 (器具光束) | 1076lm | 効率 | 109.8lm/W (100/200V) |

配光曲線図

cd/1000lm



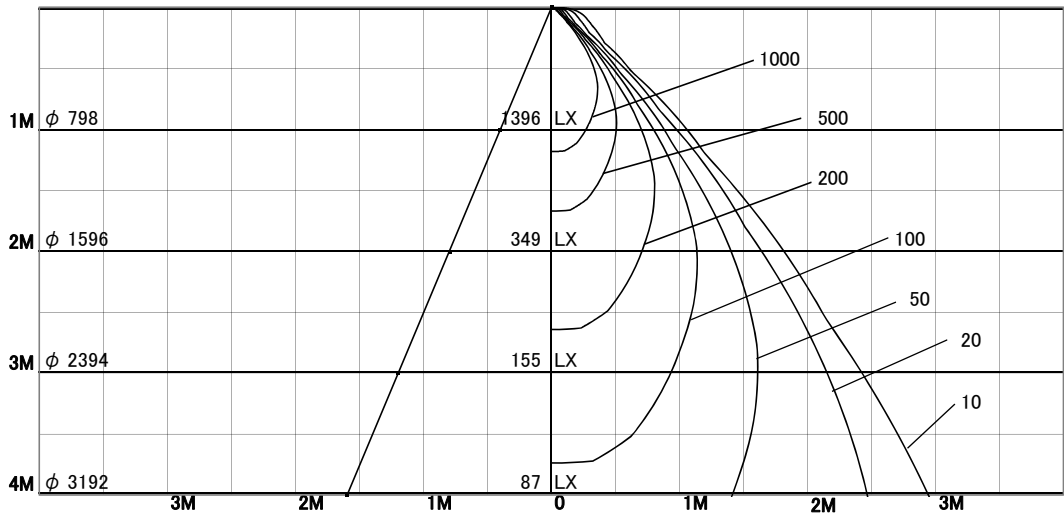
1/2照度角

直射水平面照度

単位: Lx

| | | |
|--------|-------|------|
| 色温度 | 5000K | |
| 演色評価指数 | Ra85 | |
| 保守率 | 良 | 0.8 |
| | 中 | 0.6 |
| | 否 | 0.54 |

| | | |
|--------|------|-----|
| 1/2照度角 | | |
| A-A' | 43.5 | Deg |
| C-C' | 43.5 | Deg |
| 最大取付間隔 | | |
| A-A' | 0.80 | H |
| C-C' | 0.80 | H |



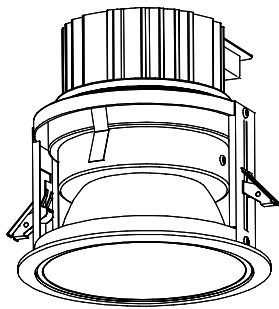
照明率表

| 天井 | 80% | | | | 70% | | | | 50% | | | | 30% | | | | 0% |
|-------|------|------|------|------|------|------|------|------|------|------|------|------|------|------|------|------|------|
| | 70% | 50% | 30% | 10% | 70% | 50% | 30% | 10% | 70% | 50% | 30% | 10% | 70% | 50% | 30% | 10% | 0% |
| 床 | 10% | | | | | | | | | | | | | | | | 0% |
| 0.60 | 77 | 72 | 68 | 65 | 77 | 71 | 68 | 65 | 75 | 71 | 67 | 65 | 74 | 70 | 67 | 65 | 64 |
| 0.80 | 82 | 77 | 73 | 70 | 81 | 76 | 73 | 70 | 80 | 76 | 72 | 70 | 79 | 75 | 72 | 70 | 69 |
| 1.00 | 86 | 82 | 78 | 76 | 85 | 81 | 78 | 75 | 84 | 80 | 77 | 75 | 82 | 79 | 77 | 75 | 73 |
| 1.25 | 89 | 85 | 82 | 80 | 88 | 85 | 82 | 79 | 87 | 84 | 81 | 79 | 85 | 82 | 80 | 78 | 77 |
| 1.50 | 91 | 88 | 85 | 83 | 90 | 87 | 84 | 82 | 89 | 86 | 84 | 82 | 87 | 85 | 83 | 81 | 80 |
| 2.00 | 95 | 92 | 90 | 88 | 94 | 91 | 89 | 87 | 92 | 90 | 88 | 87 | 90 | 89 | 87 | 86 | 84 |
| 2.50 | 96 | 94 | 93 | 91 | 96 | 94 | 92 | 91 | 94 | 92 | 91 | 90 | 92 | 91 | 90 | 89 | 87 |
| 3.00 | 98 | 96 | 95 | 94 | 97 | 95 | 94 | 93 | 95 | 94 | 93 | 92 | 93 | 92 | 92 | 91 | 89 |
| 4.00 | 99 | 98 | 97 | 96 | 98 | 97 | 96 | 95 | 96 | 95 | 95 | 94 | 94 | 94 | 93 | 93 | 91 |
| 5.00 | 100 | 99 | 98 | 97 | 99 | 98 | 97 | 97 | 97 | 96 | 96 | 95 | 95 | 95 | 94 | 94 | 92 |
| 7.00 | 100 | 100 | 99 | 99 | 99 | 99 | 99 | 98 | 97 | 97 | 97 | 97 | 96 | 96 | 95 | 95 | 93 |
| 10.00 | #N/A | #N/A | #N/A | #N/A | #N/A | #N/A | #N/A | #N/A | #N/A | #N/A | #N/A | #N/A | #N/A | #N/A | #N/A | #N/A | #N/A |

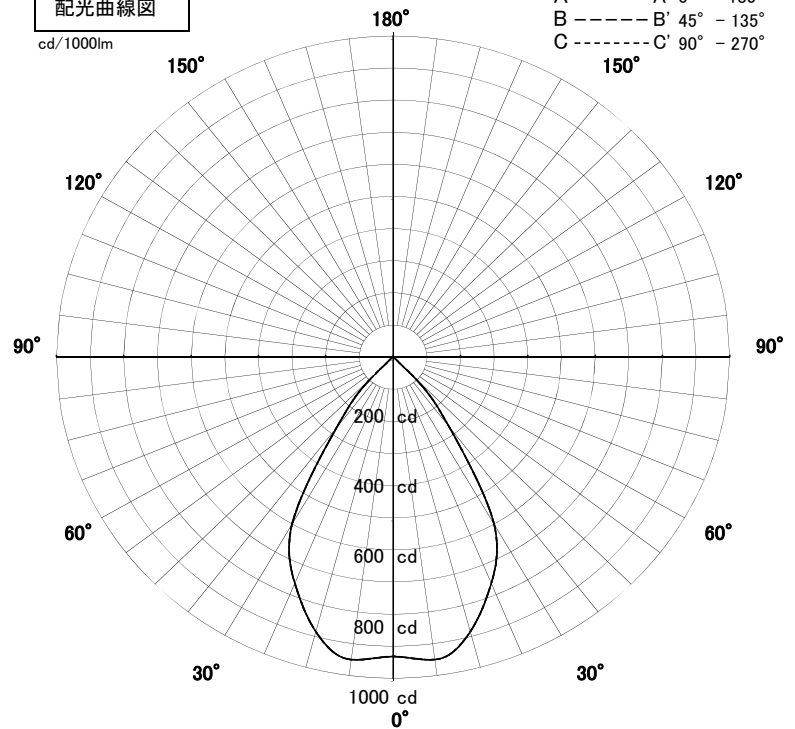
屋内照明器具特性



| | | | |
|----------------|--------------------|----|-------------------------|
| 品名 | DD-3320 | | |
| 光源 | LECF/10W-W10GH4085 | | |
| 実効光束 (器具光束) | 987lm | 効率 | 100.7lm/W (100/200V) |



配光曲線図
cd/1000lm



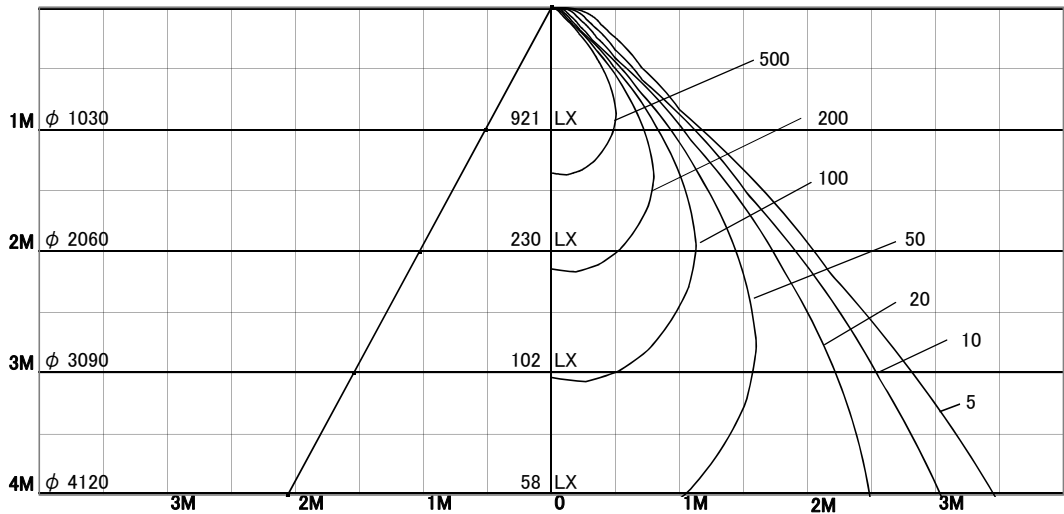
1/2照度角

直射水平面照度

単位:Lx

| | | |
|--------|-------|------|
| 色温度 | 4000K | |
| 演色評価指数 | Ra85 | |
| 保守率 | 良 | 0.8 |
| | 中 | 0.6 |
| | 否 | 0.54 |

| | | |
|--------|------|-----|
| 1/2照度角 | | |
| A-A' | 54.5 | Deg |
| C-C' | 54.5 | Deg |
| 最大取付間隔 | | |
| A-A' | 1.03 | H |
| C-C' | 1.03 | H |



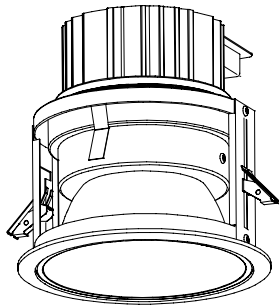
照明率表

| 天井 | 80% | | | | 70% | | | | 50% | | | | 30% | | | | 0% |
|-------|-----|-----|-----|-----|-----|-----|-----|-----|-----|-----|-----|-----|-----|-----|-----|-----|----|
| | 70% | 50% | 30% | 10% | 70% | 50% | 30% | 10% | 70% | 50% | 30% | 10% | 70% | 50% | 30% | 10% | 0% |
| 壁 | 10% | | | | | | | | | | | | | | | | 0% |
| 床 | 10% | | | | | | | | | | | | | | | | 0% |
| 0.60 | 78 | 72 | 68 | 65 | 78 | 72 | 68 | 65 | 76 | 71 | 68 | 65 | 75 | 70 | 67 | 65 | 64 |
| 0.80 | 84 | 78 | 74 | 71 | 83 | 78 | 74 | 71 | 81 | 77 | 73 | 71 | 80 | 76 | 73 | 70 | 69 |
| 1.00 | 88 | 83 | 79 | 77 | 87 | 83 | 79 | 76 | 86 | 82 | 78 | 76 | 84 | 81 | 78 | 76 | 74 |
| 1.25 | 92 | 87 | 84 | 81 | 91 | 87 | 83 | 81 | 89 | 85 | 83 | 80 | 87 | 84 | 82 | 80 | 78 |
| 1.50 | 94 | 90 | 87 | 84 | 93 | 89 | 86 | 84 | 91 | 88 | 86 | 84 | 89 | 87 | 85 | 83 | 81 |
| 2.00 | 97 | 94 | 92 | 90 | 96 | 94 | 91 | 90 | 95 | 92 | 90 | 89 | 93 | 91 | 89 | 88 | 86 |
| 2.50 | 99 | 97 | 95 | 94 | 98 | 96 | 95 | 93 | 97 | 95 | 93 | 92 | 95 | 93 | 92 | 91 | 89 |
| 3.00 | 101 | 99 | 97 | 96 | 100 | 98 | 97 | 95 | 98 | 97 | 95 | 94 | 96 | 95 | 94 | 93 | 91 |
| 4.00 | 102 | 101 | 100 | 99 | 101 | 100 | 99 | 98 | 99 | 98 | 97 | 97 | 97 | 97 | 96 | 95 | 93 |
| 5.00 | 103 | 102 | 101 | 100 | 102 | 101 | 100 | 99 | 100 | 99 | 98 | 98 | 98 | 97 | 97 | 96 | 94 |
| 7.00 | 103 | 103 | 102 | 102 | 102 | 102 | 101 | 101 | 101 | 100 | 100 | 99 | 99 | 98 | 98 | 98 | 95 |
| 10.00 | 104 | 104 | 103 | 103 | 103 | 103 | 102 | 102 | 101 | 101 | 101 | 100 | 99 | 99 | 99 | 99 | 96 |

屋内照明器具特性

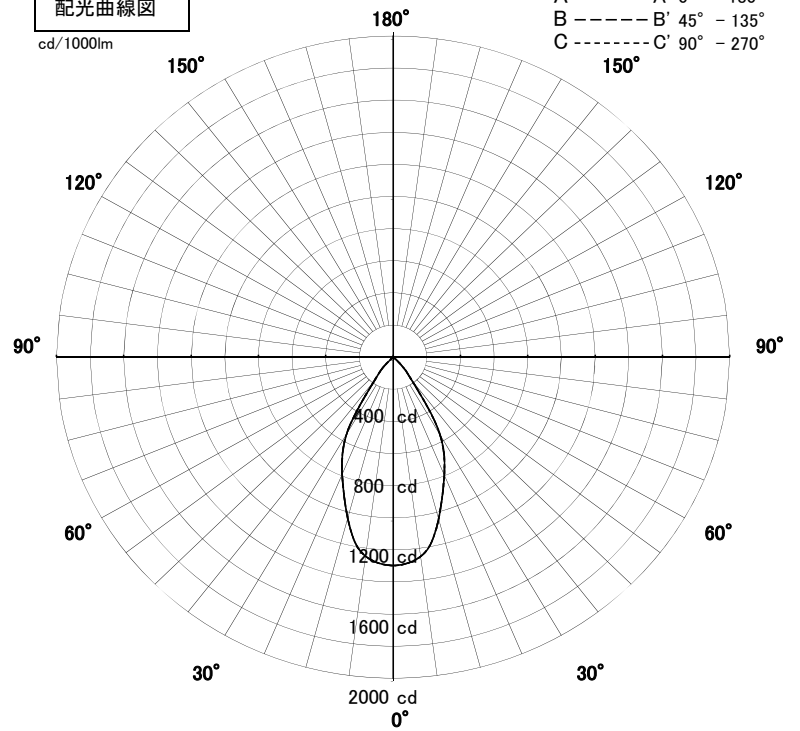


| | | | |
|----------------|--------------------|----|-------------------------|
| 品名 | DD-3320 | | |
| 光源 | LECF/10W-M10GH4085 | | |
| 実効光束 (器具光束) | 1026lm | 効率 | 104.7lm/W (100/200V) |



配光曲線図

cd/1000lm



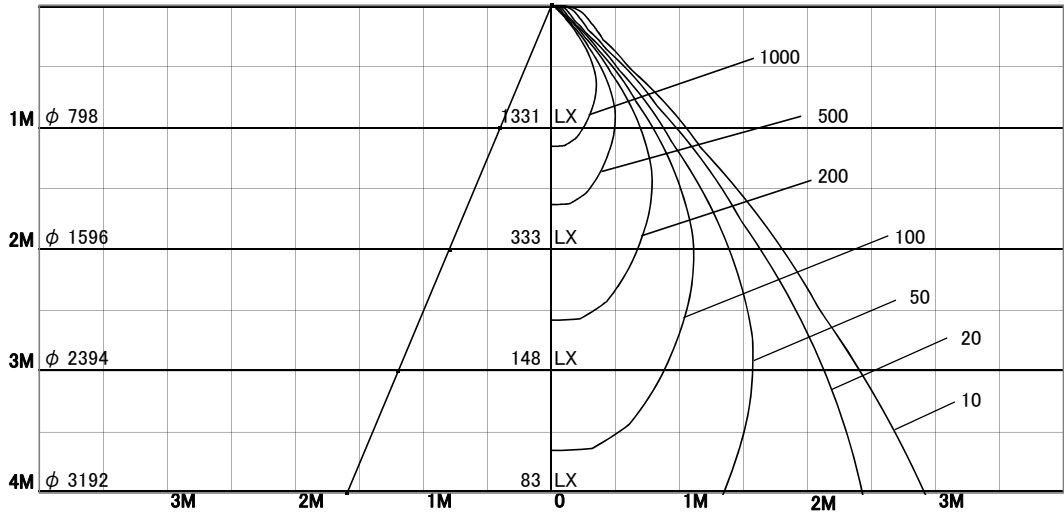
1/2照度角

直射水平面照度

単位:Lx

| | | |
|--------|-------|------|
| 色温度 | 4000K | |
| 演色評価指数 | Ra85 | |
| 保守率 | 良 | 0.8 |
| | 中 | 0.6 |
| | 否 | 0.54 |

| | | |
|--------|------|-----|
| 1/2照度角 | | |
| A-A' | 43.5 | Deg |
| C-C' | 43.5 | Deg |
| 最大取付間隔 | | |
| A-A' | 0.80 | H |
| C-C' | 0.80 | H |



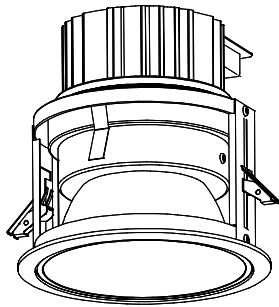
照明率表

| 天井 | 80% | | | | 70% | | | | 50% | | | | 30% | | | | 0% |
|-------|-----|-----|-----|-----|-----|-----|-----|-----|-----|-----|-----|-----|-----|-----|-----|-----|----|
| | 70% | 50% | 30% | 10% | 70% | 50% | 30% | 10% | 70% | 50% | 30% | 10% | 70% | 50% | 30% | 10% | 0% |
| 壁 | 10% | | | | | | | | | | | | | | | | 0% |
| 床 | 10% | | | | | | | | | | | | | | | | 0% |
| 0.60 | 77 | 72 | 68 | 65 | 77 | 71 | 68 | 65 | 75 | 71 | 67 | 65 | 74 | 70 | 67 | 65 | 64 |
| 0.80 | 82 | 77 | 73 | 70 | 81 | 76 | 73 | 70 | 80 | 76 | 72 | 70 | 79 | 75 | 72 | 70 | 69 |
| 1.00 | 86 | 82 | 78 | 76 | 85 | 81 | 78 | 75 | 84 | 80 | 77 | 75 | 82 | 79 | 77 | 75 | 73 |
| 1.25 | 89 | 85 | 82 | 80 | 88 | 85 | 82 | 79 | 87 | 84 | 81 | 79 | 85 | 82 | 80 | 78 | 77 |
| 1.50 | 91 | 88 | 85 | 83 | 91 | 87 | 84 | 82 | 89 | 86 | 84 | 82 | 87 | 85 | 83 | 81 | 80 |
| 2.00 | 95 | 92 | 90 | 88 | 94 | 91 | 89 | 87 | 92 | 90 | 88 | 87 | 90 | 89 | 87 | 86 | 84 |
| 2.50 | 96 | 94 | 93 | 91 | 96 | 94 | 92 | 91 | 94 | 92 | 91 | 90 | 92 | 91 | 90 | 89 | 87 |
| 3.00 | 98 | 96 | 95 | 94 | 97 | 95 | 94 | 93 | 95 | 94 | 93 | 92 | 93 | 92 | 92 | 91 | 89 |
| 4.00 | 99 | 98 | 97 | 96 | 98 | 97 | 96 | 95 | 96 | 95 | 95 | 94 | 94 | 94 | 93 | 93 | 91 |
| 5.00 | 100 | 99 | 98 | 97 | 99 | 98 | 97 | 97 | 97 | 96 | 96 | 95 | 95 | 95 | 94 | 94 | 92 |
| 7.00 | 100 | 100 | 99 | 99 | 99 | 99 | 99 | 98 | 97 | 97 | 97 | 97 | 96 | 96 | 95 | 95 | 93 |
| 10.00 | 101 | 101 | 100 | 100 | 100 | 100 | 99 | 99 | 98 | 98 | 98 | 98 | 96 | 96 | 96 | 96 | 93 |

屋内照明器具特性

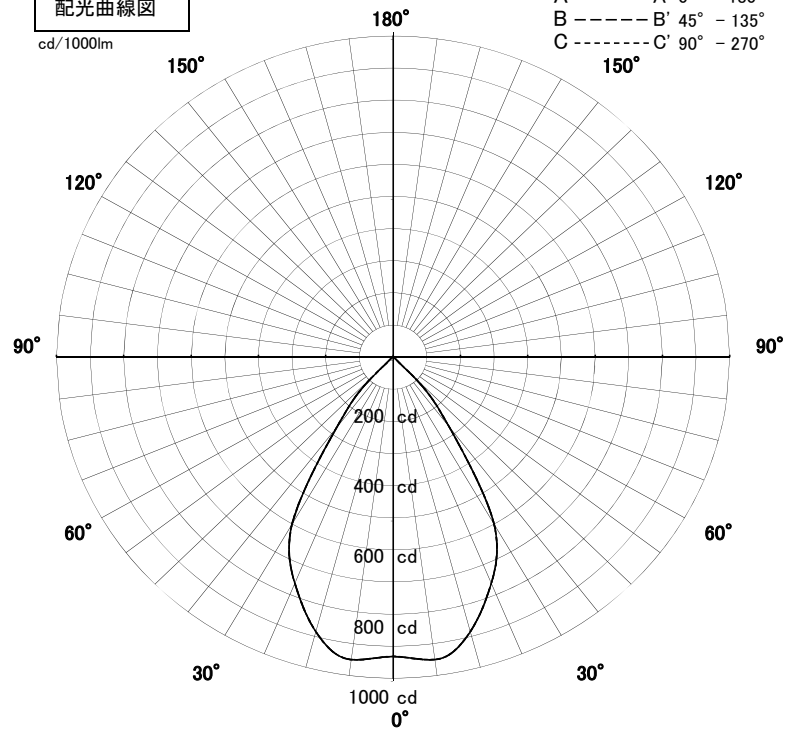


| | | | |
|----------------|--------------------|----|------------------------|
| 品名 | DD-3320 | | |
| 光源 | LECF/10L-W9-GH3085 | | |
| 実効光束 (器具光束) | 912lm | 効率 | 93.0lm/W (100/200V) |



配光曲線図

cd/1000lm



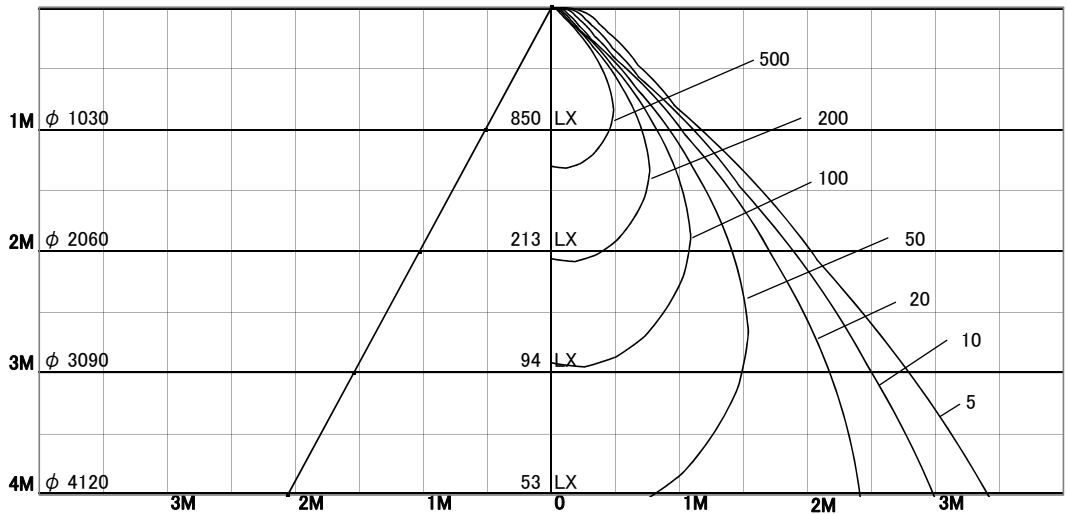
1/2照度角

直射水平面照度

単位:Lx

| | | |
|--------|-------|------|
| 色温度 | 3000K | |
| 演色評価指数 | Ra85 | |
| 保守率 | 良 | 0.8 |
| | 中 | 0.6 |
| | 否 | 0.54 |

| | | |
|--------|------|-----|
| 1/2照度角 | | |
| A-A' | 54.5 | Deg |
| C-C' | 54.5 | Deg |
| 最大取付間隔 | | |
| A-A' | 1.03 | H |
| C-C' | 1.03 | H |



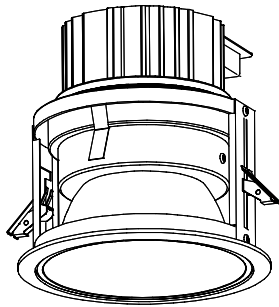
照明率表

| 天井 | 80% | | | | 70% | | | | 50% | | | | 30% | | | | 0% |
|-------|-----|-----|-----|-----|-----|-----|-----|-----|-----|-----|-----|-----|-----|-----|-----|-----|----|
| | 70% | 50% | 30% | 10% | 70% | 50% | 30% | 10% | 70% | 50% | 30% | 10% | 70% | 50% | 30% | 10% | 0% |
| 壁 | 10% | | | | | | | | | | | | | | | | 0% |
| 床 | 10% | | | | | | | | | | | | | | | | 0% |
| 0.60 | 78 | 72 | 68 | 65 | 78 | 72 | 68 | 65 | 76 | 71 | 68 | 65 | 75 | 70 | 67 | 65 | 64 |
| 0.80 | 84 | 78 | 74 | 71 | 83 | 78 | 74 | 71 | 81 | 77 | 73 | 71 | 80 | 76 | 73 | 70 | 69 |
| 1.00 | 88 | 83 | 79 | 77 | 87 | 83 | 79 | 76 | 86 | 82 | 78 | 76 | 84 | 81 | 78 | 76 | 74 |
| 1.25 | 92 | 87 | 84 | 81 | 91 | 87 | 83 | 81 | 89 | 85 | 83 | 80 | 87 | 84 | 82 | 80 | 78 |
| 1.50 | 94 | 90 | 87 | 84 | 93 | 89 | 86 | 84 | 91 | 88 | 86 | 84 | 89 | 87 | 85 | 83 | 81 |
| 2.00 | 97 | 94 | 92 | 90 | 96 | 94 | 91 | 90 | 95 | 92 | 90 | 89 | 93 | 91 | 89 | 88 | 86 |
| 2.50 | 99 | 97 | 95 | 94 | 98 | 96 | 95 | 93 | 97 | 95 | 93 | 92 | 95 | 93 | 92 | 91 | 89 |
| 3.00 | 101 | 99 | 97 | 96 | 100 | 98 | 97 | 95 | 98 | 97 | 95 | 94 | 96 | 95 | 94 | 93 | 91 |
| 4.00 | 102 | 101 | 100 | 99 | 101 | 100 | 99 | 98 | 99 | 98 | 97 | 97 | 97 | 97 | 96 | 95 | 93 |
| 5.00 | 103 | 102 | 101 | 100 | 102 | 101 | 100 | 99 | 100 | 99 | 98 | 98 | 98 | 97 | 97 | 96 | 94 |
| 7.00 | 103 | 103 | 102 | 102 | 102 | 102 | 101 | 101 | 101 | 100 | 100 | 99 | 99 | 98 | 98 | 98 | 95 |
| 10.00 | 104 | 104 | 103 | 103 | 103 | 103 | 102 | 102 | 101 | 101 | 101 | 100 | 99 | 99 | 99 | 99 | 96 |

屋内照明器具特性

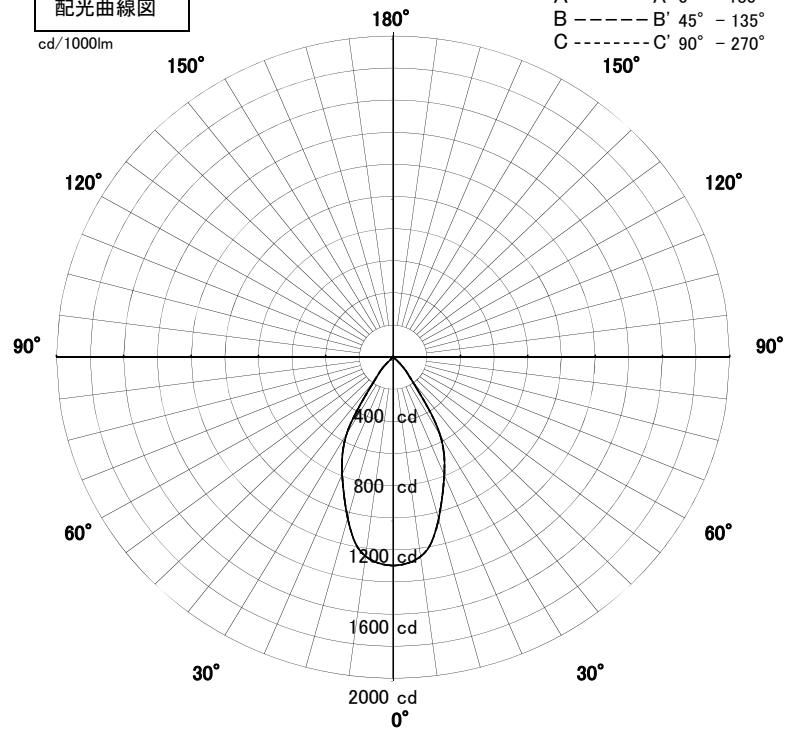


| | | | |
|----------------|--------------------|----|------------------------|
| 品名 | DD-3320 | | |
| 光源 | LECF/10L-M9-GH3085 | | |
| 実効光束 (器具光束) | 948lm | 効率 | 96.7lm/W (100/200V) |



配光曲線図

cd/1000lm



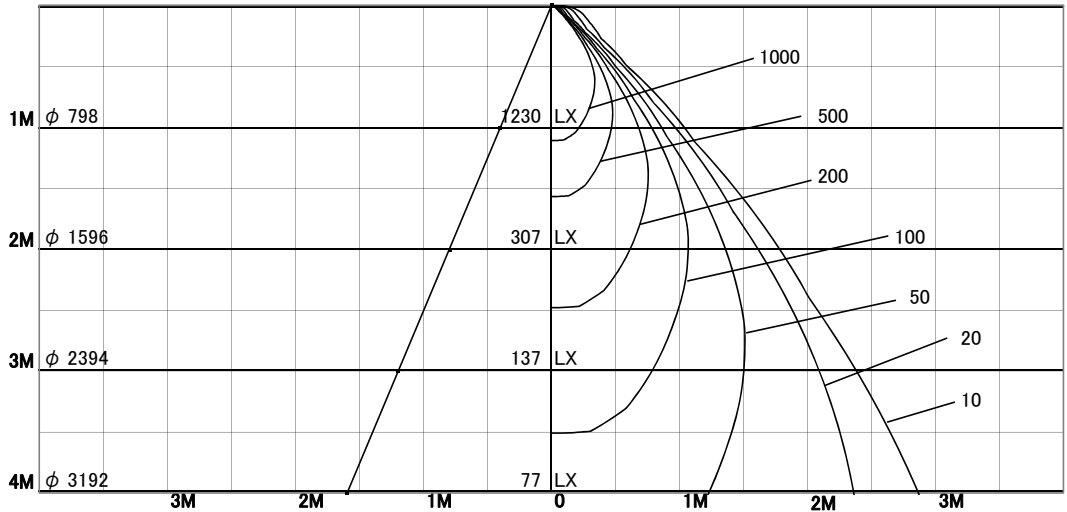
1/2照度角

直射水平面照度

単位:Lx

| | | |
|--------|-------|------|
| 色温度 | 3000K | |
| 演色評価指数 | Ra85 | |
| 保守率 | 良 | 0.8 |
| | 中 | 0.6 |
| | 否 | 0.54 |

| | | |
|--------|------|-----|
| 1/2照度角 | | |
| A-A' | 43.5 | Deg |
| C-C' | 43.5 | Deg |
| 最大取付間隔 | | |
| A-A' | 0.80 | H |
| C-C' | 0.80 | H |



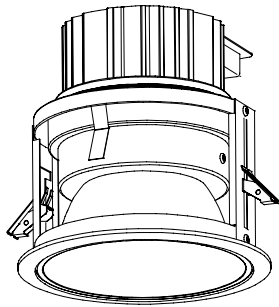
照明率表

| 天井 | 80% | | | | 70% | | | | 50% | | | | 30% | | | | 0% |
|-------|-----|-----|-----|-----|-----|-----|-----|-----|-----|-----|-----|-----|-----|-----|-----|-----|----|
| | 70% | 50% | 30% | 10% | 70% | 50% | 30% | 10% | 70% | 50% | 30% | 10% | 70% | 50% | 30% | 10% | 0% |
| 壁 | 10% | | | | | | | | | | | | | | | | 0% |
| 床 | 10% | | | | | | | | | | | | | | | | 0% |
| 0.60 | 77 | 72 | 68 | 65 | 77 | 71 | 68 | 65 | 75 | 71 | 67 | 65 | 74 | 70 | 67 | 65 | 64 |
| 0.80 | 82 | 77 | 73 | 70 | 81 | 76 | 73 | 70 | 80 | 76 | 72 | 70 | 79 | 75 | 72 | 70 | 69 |
| 1.00 | 86 | 82 | 78 | 76 | 85 | 81 | 78 | 75 | 84 | 80 | 77 | 75 | 82 | 79 | 77 | 75 | 73 |
| 1.25 | 89 | 85 | 82 | 80 | 88 | 85 | 82 | 79 | 87 | 84 | 81 | 79 | 85 | 82 | 80 | 78 | 77 |
| 1.50 | 91 | 88 | 85 | 83 | 91 | 87 | 84 | 82 | 89 | 86 | 84 | 82 | 87 | 85 | 83 | 81 | 80 |
| 2.00 | 95 | 92 | 90 | 88 | 94 | 91 | 89 | 87 | 92 | 90 | 88 | 87 | 90 | 89 | 87 | 86 | 84 |
| 2.50 | 96 | 94 | 93 | 91 | 96 | 94 | 92 | 91 | 94 | 92 | 91 | 90 | 92 | 91 | 90 | 89 | 87 |
| 3.00 | 98 | 96 | 95 | 94 | 97 | 95 | 94 | 93 | 95 | 94 | 93 | 92 | 93 | 92 | 92 | 91 | 89 |
| 4.00 | 99 | 98 | 97 | 96 | 98 | 97 | 96 | 95 | 96 | 95 | 95 | 94 | 94 | 94 | 93 | 93 | 91 |
| 5.00 | 100 | 99 | 98 | 97 | 99 | 98 | 97 | 97 | 97 | 96 | 96 | 95 | 95 | 95 | 94 | 94 | 92 |
| 7.00 | 100 | 100 | 99 | 99 | 99 | 99 | 99 | 98 | 97 | 97 | 97 | 97 | 96 | 96 | 95 | 95 | 93 |
| 10.00 | 101 | 101 | 100 | 100 | 100 | 100 | 99 | 99 | 98 | 98 | 98 | 98 | 96 | 96 | 96 | 96 | 93 |

屋内照明器具特性

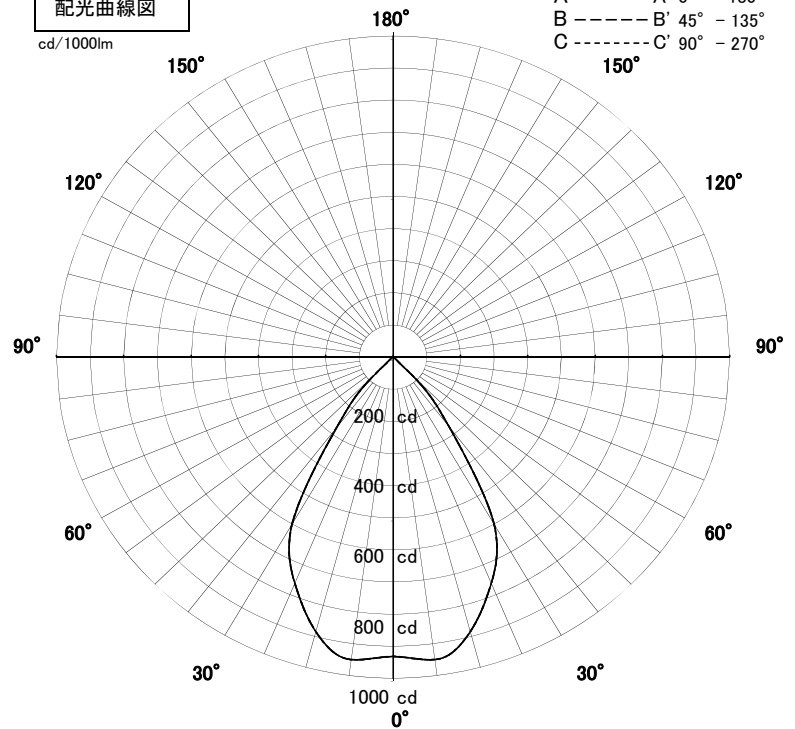


| | | | |
|----------------|---------------------|----|-------------------------|
| 品名 | DD-3320 | | |
| 光源 | LECF/10N-W10GH5085P | | |
| 実効光束 (器具光束) | 1035lm | 効率 | 102.5lm/W (100/200V) |



配光曲線図

cd/1000lm



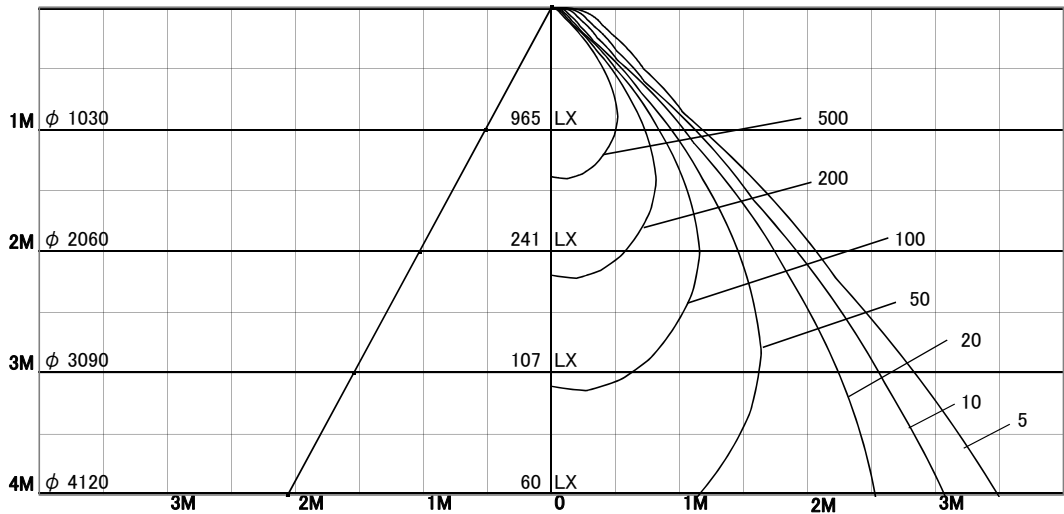
1/2照度角

直射水平面照度

単位:Lx

| | | |
|--------|-------|------|
| 色温度 | 5000K | |
| 演色評価指数 | Ra85 | |
| 保守率 | 良 | 0.8 |
| | 中 | 0.6 |
| | 否 | 0.54 |

| | | |
|--------|------|-----|
| 1/2照度角 | | |
| A-A' | 54.5 | Deg |
| C-C' | 54.5 | Deg |
| 最大取付間隔 | | |
| A-A' | 1.03 | H |
| C-C' | 1.03 | H |



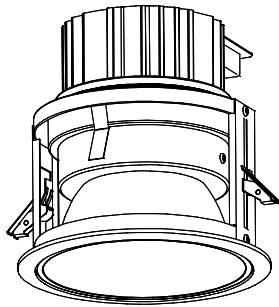
照明率表

| 天井 | 80% | | | | 70% | | | | 50% | | | | 30% | | | | 0% |
|-------|------|------|------|------|------|------|------|------|------|------|------|------|------|------|------|------|------|
| | 70% | 50% | 30% | 10% | 70% | 50% | 30% | 10% | 70% | 50% | 30% | 10% | 70% | 50% | 30% | 10% | 0% |
| 壁 | 10% | | | | | | | | | | | | | | | | 0% |
| 床 | 10% | | | | | | | | | | | | | | | | 0% |
| 0.60 | 78 | 72 | 68 | 65 | 78 | 72 | 68 | 65 | 76 | 71 | 68 | 65 | 75 | 70 | 67 | 65 | 64 |
| 0.80 | 84 | 78 | 74 | 71 | 83 | 78 | 74 | 71 | 81 | 77 | 73 | 71 | 80 | 76 | 73 | 70 | 69 |
| 1.00 | 88 | 83 | 79 | 77 | 87 | 83 | 79 | 76 | 86 | 82 | 78 | 76 | 84 | 81 | 78 | 76 | 74 |
| 1.25 | 92 | 87 | 84 | 81 | 91 | 87 | 83 | 81 | 89 | 85 | 83 | 80 | 87 | 84 | 82 | 80 | 78 |
| 1.50 | 94 | 90 | 87 | 84 | 93 | 89 | 86 | 84 | 91 | 88 | 86 | 84 | 89 | 87 | 85 | 83 | 81 |
| 2.00 | 97 | 94 | 92 | 90 | 96 | 94 | 91 | 90 | 95 | 92 | 90 | 89 | 93 | 91 | 89 | 88 | 86 |
| 2.50 | 99 | 97 | 95 | 94 | 98 | 96 | 95 | 93 | 97 | 95 | 93 | 92 | 95 | 93 | 92 | 91 | 89 |
| 3.00 | 101 | 99 | 97 | 96 | 100 | 98 | 97 | 95 | 98 | 97 | 95 | 94 | 96 | 95 | 94 | 93 | 91 |
| 4.00 | 102 | 101 | 100 | 99 | 101 | 100 | 99 | 98 | 99 | 98 | 97 | 97 | 97 | 97 | 96 | 95 | 93 |
| 5.00 | 103 | 102 | 101 | 100 | 102 | 101 | 100 | 99 | 100 | 99 | 98 | 98 | 98 | 97 | 97 | 96 | 94 |
| 7.00 | 103 | 103 | 102 | 102 | 102 | 102 | 101 | 101 | 101 | 100 | 100 | 99 | 99 | 98 | 98 | 98 | 95 |
| 10.00 | #N/A | #N/A | #N/A | #N/A | #N/A | #N/A | #N/A | #N/A | #N/A | #N/A | #N/A | #N/A | #N/A | #N/A | #N/A | #N/A | #N/A |

屋内照明器具特性

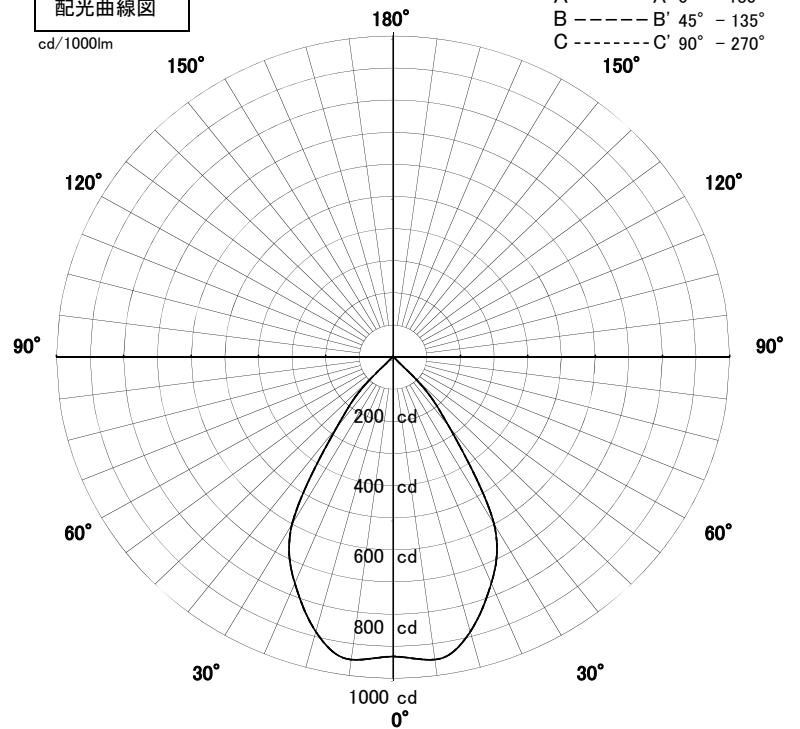


| | | | |
|----------------|---------------------|----|------------------------|
| 品名 | DD-3320 | | |
| 光源 | LECF/10W-W10GH4085P | | |
| 実効光束 (器具光束) | 987lm | 効率 | 97.7lm/W (100/200V) |



配光曲線図

cd/1000lm



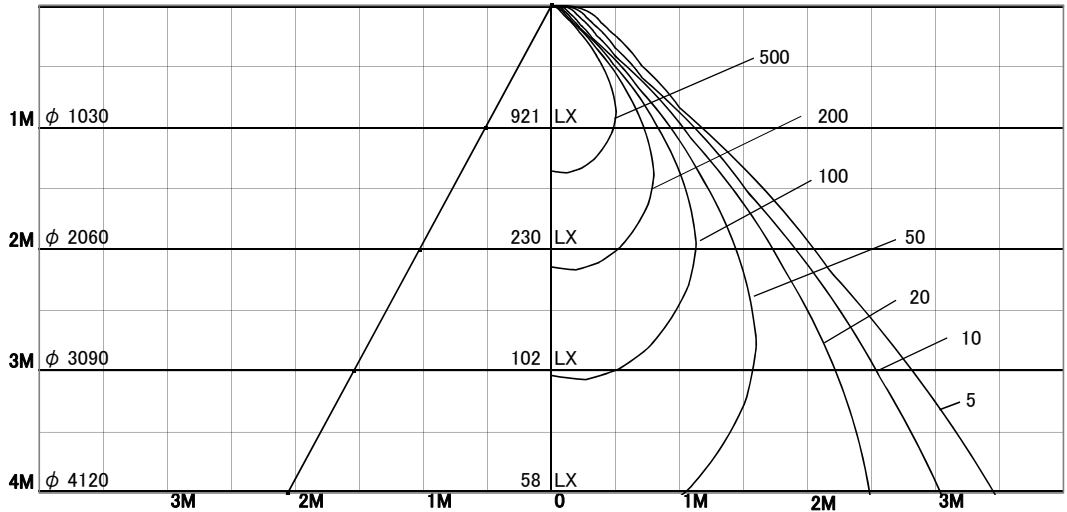
1/2照度角

直射水平面照度

単位: Lx

| | | |
|--------|-------|------|
| 色温度 | 4000K | |
| 演色評価指数 | Ra85 | |
| 保守率 | 良 | 0.8 |
| | 中 | 0.6 |
| | 否 | 0.54 |

| | | |
|--------|------|-----|
| 1/2照度角 | | |
| A-A' | 54.5 | Deg |
| C-C' | 54.5 | Deg |
| 最大取付間隔 | | |
| A-A' | 1.03 | H |
| C-C' | 1.03 | H |



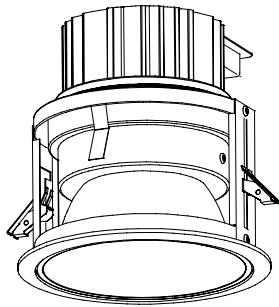
照明率表

| 天井 | 80% | | | | 70% | | | | 50% | | | | 30% | | | | 0% |
|-------|-----|-----|-----|-----|-----|-----|-----|-----|-----|-----|-----|-----|-----|-----|-----|-----|----|
| | 70% | 50% | 30% | 10% | 70% | 50% | 30% | 10% | 70% | 50% | 30% | 10% | 70% | 50% | 30% | 10% | 0% |
| 壁 | 10% | | | | | | | | | | | | | | | | 0% |
| 床 | 10% | | | | | | | | | | | | | | | | 0% |
| 0.60 | 78 | 72 | 68 | 65 | 78 | 72 | 68 | 65 | 76 | 71 | 68 | 65 | 75 | 70 | 67 | 65 | 64 |
| 0.80 | 84 | 78 | 74 | 71 | 83 | 78 | 74 | 71 | 81 | 77 | 73 | 71 | 80 | 76 | 73 | 70 | 69 |
| 1.00 | 88 | 83 | 79 | 77 | 87 | 83 | 79 | 76 | 86 | 82 | 78 | 76 | 84 | 81 | 78 | 76 | 74 |
| 1.25 | 92 | 87 | 84 | 81 | 91 | 87 | 83 | 81 | 89 | 85 | 83 | 80 | 87 | 84 | 82 | 80 | 78 |
| 1.50 | 94 | 90 | 87 | 84 | 93 | 89 | 86 | 84 | 91 | 88 | 86 | 84 | 89 | 87 | 85 | 83 | 81 |
| 2.00 | 97 | 94 | 92 | 90 | 96 | 94 | 91 | 90 | 95 | 92 | 90 | 89 | 93 | 91 | 89 | 88 | 86 |
| 2.50 | 99 | 97 | 95 | 94 | 98 | 96 | 95 | 93 | 97 | 95 | 93 | 92 | 95 | 93 | 92 | 91 | 89 |
| 3.00 | 101 | 99 | 97 | 96 | 100 | 98 | 97 | 95 | 98 | 97 | 95 | 94 | 96 | 95 | 94 | 93 | 91 |
| 4.00 | 102 | 101 | 100 | 99 | 101 | 100 | 99 | 98 | 99 | 98 | 97 | 97 | 97 | 97 | 96 | 95 | 93 |
| 5.00 | 103 | 102 | 101 | 100 | 102 | 101 | 100 | 99 | 100 | 99 | 98 | 98 | 98 | 97 | 97 | 96 | 94 |
| 7.00 | 103 | 103 | 102 | 102 | 102 | 102 | 101 | 101 | 101 | 100 | 100 | 99 | 99 | 98 | 98 | 98 | 95 |
| 10.00 | 104 | 104 | 103 | 103 | 103 | 103 | 102 | 102 | 101 | 101 | 101 | 100 | 99 | 99 | 99 | 99 | 96 |

屋内照明器具特性

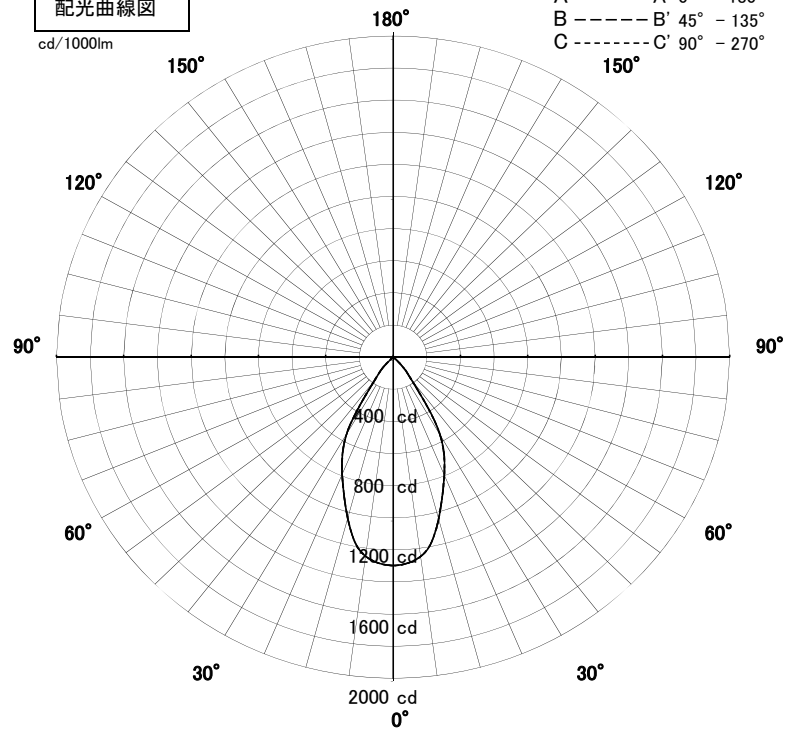


| | | | |
|----------------|---------------------|----|-------------------------|
| 品名 | DD-3320 | | |
| 光源 | LECF/10W-M10GH4085P | | |
| 実効光束 (器具光束) | 1026lm | 効率 | 101.6lm/W (100/200V) |



配光曲線図

cd/1000lm



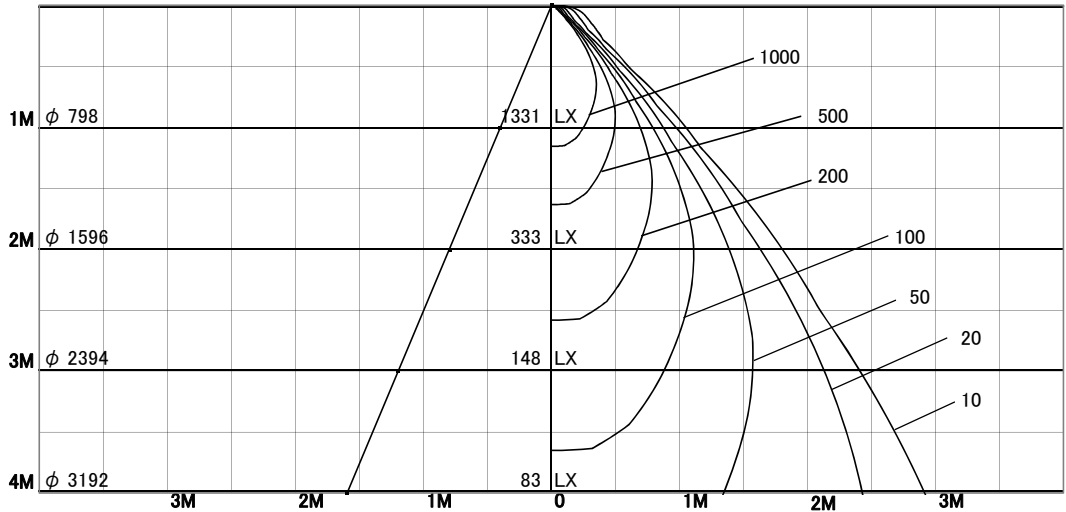
1/2照度角

直射水平面照度

単位: Lx

| | | |
|--------|-------|------|
| 色温度 | 4000K | |
| 演色評価指数 | Ra85 | |
| 保守率 | 良 | 0.8 |
| | 中 | 0.6 |
| | 否 | 0.54 |

| | | |
|--------|------|-----|
| 1/2照度角 | | |
| A-A' | 43.5 | Deg |
| C-C' | 43.5 | Deg |
| 最大取付間隔 | | |
| A-A' | 0.80 | H |
| C-C' | 0.80 | H |



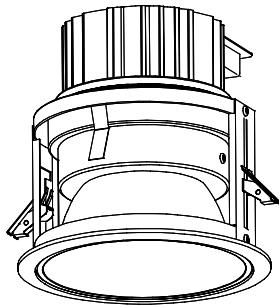
照明率表

| 天井 | 80% | | | | 70% | | | | 50% | | | | 30% | | | | 0% |
|-------|-----|-----|-----|-----|-----|-----|-----|-----|-----|-----|-----|-----|-----|-----|-----|-----|----|
| | 70% | 50% | 30% | 10% | 70% | 50% | 30% | 10% | 70% | 50% | 30% | 10% | 70% | 50% | 30% | 10% | 0% |
| 壁 | 10% | | | | | | | | | | | | | | | | 0% |
| 床 | 10% | | | | | | | | | | | | | | | | 0% |
| 0.60 | 77 | 72 | 68 | 65 | 77 | 71 | 68 | 65 | 75 | 71 | 67 | 65 | 74 | 70 | 67 | 65 | 64 |
| 0.80 | 82 | 77 | 73 | 70 | 81 | 76 | 73 | 70 | 80 | 76 | 72 | 70 | 79 | 75 | 72 | 70 | 69 |
| 1.00 | 86 | 82 | 78 | 76 | 85 | 81 | 78 | 75 | 84 | 80 | 77 | 75 | 82 | 79 | 77 | 75 | 73 |
| 1.25 | 89 | 85 | 82 | 80 | 88 | 85 | 82 | 79 | 87 | 84 | 81 | 79 | 85 | 82 | 80 | 78 | 77 |
| 1.50 | 91 | 88 | 85 | 83 | 91 | 87 | 84 | 82 | 89 | 86 | 84 | 82 | 87 | 85 | 83 | 81 | 80 |
| 2.00 | 95 | 92 | 90 | 88 | 94 | 91 | 89 | 87 | 92 | 90 | 88 | 87 | 90 | 89 | 87 | 86 | 84 |
| 2.50 | 96 | 94 | 93 | 91 | 96 | 94 | 92 | 91 | 94 | 92 | 91 | 90 | 92 | 91 | 90 | 89 | 87 |
| 3.00 | 98 | 96 | 95 | 94 | 97 | 95 | 94 | 93 | 95 | 94 | 93 | 92 | 93 | 92 | 92 | 91 | 89 |
| 4.00 | 99 | 98 | 97 | 96 | 98 | 97 | 96 | 95 | 96 | 95 | 95 | 94 | 94 | 94 | 93 | 93 | 91 |
| 5.00 | 100 | 99 | 98 | 97 | 99 | 98 | 97 | 97 | 97 | 96 | 96 | 95 | 95 | 95 | 94 | 94 | 92 |
| 7.00 | 100 | 100 | 99 | 99 | 99 | 99 | 99 | 98 | 97 | 97 | 97 | 97 | 96 | 96 | 95 | 95 | 93 |
| 10.00 | 101 | 101 | 100 | 100 | 100 | 100 | 99 | 99 | 98 | 98 | 98 | 98 | 96 | 96 | 96 | 96 | 93 |

屋内照明器具特性

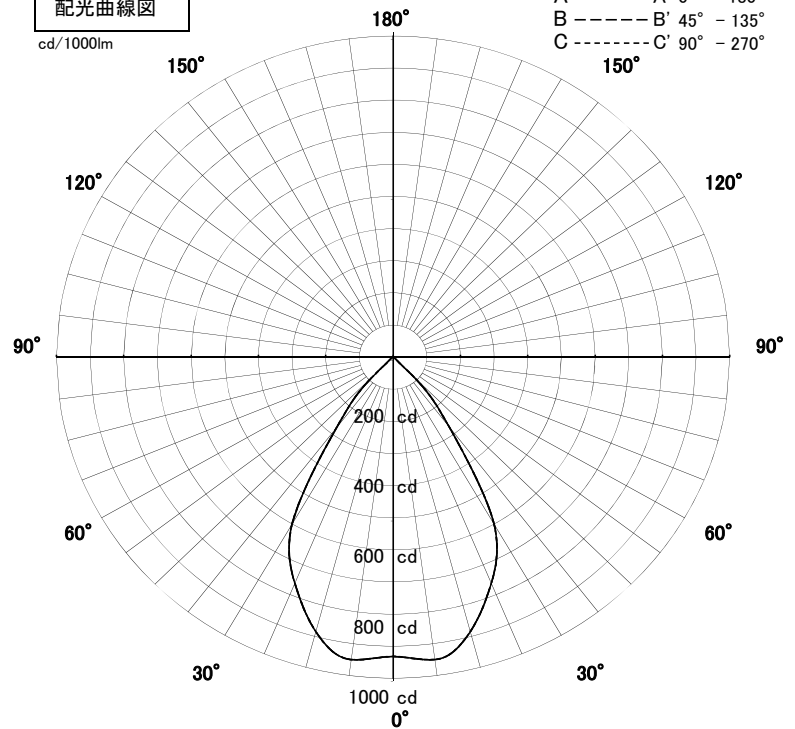


| | | | |
|----------------|---------------------|----|------------------------|
| 品名 | DD-3320 | | |
| 光源 | LECF/10L-W9-GH3085P | | |
| 実効光束 (器具光束) | 912lm | 効率 | 90.3lm/W (100/200V) |



配光曲線図

cd/1000lm



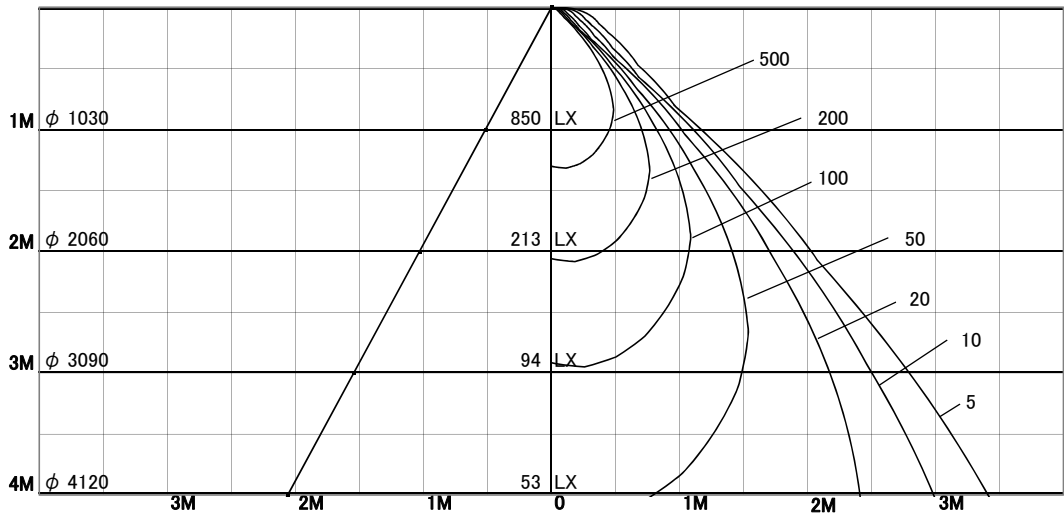
1/2照度角

直射水平面照度

単位: Lx

| | | |
|--------|-------|------|
| 色温度 | 3000K | |
| 演色評価指数 | Ra85 | |
| 保守率 | 良 | 0.8 |
| | 中 | 0.6 |
| | 否 | 0.54 |

| | | |
|--------|------|-----|
| 1/2照度角 | | |
| A-A' | 54.5 | Deg |
| C-C' | 54.5 | Deg |
| 最大取付間隔 | | |
| A-A' | 1.03 | H |
| C-C' | 1.03 | H |



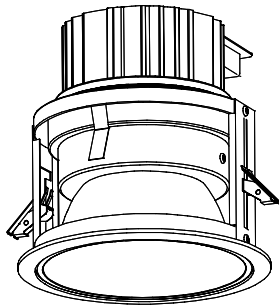
照明率表

| 天井 | 80% | | | | 70% | | | | 50% | | | | 30% | | | | 0% |
|-------|-----|-----|-----|-----|-----|-----|-----|-----|-----|-----|-----|-----|-----|-----|-----|-----|----|
| | 70% | 50% | 30% | 10% | 70% | 50% | 30% | 10% | 70% | 50% | 30% | 10% | 70% | 50% | 30% | 10% | 0% |
| 壁 | 10% | | | | | | | | | | | | | | | | 0% |
| 床 | 10% | | | | | | | | | | | | | | | | 0% |
| 0.60 | 78 | 72 | 68 | 65 | 78 | 72 | 68 | 65 | 76 | 71 | 68 | 65 | 75 | 70 | 67 | 65 | 64 |
| 0.80 | 84 | 78 | 74 | 71 | 83 | 78 | 74 | 71 | 81 | 77 | 73 | 71 | 80 | 76 | 73 | 70 | 69 |
| 1.00 | 88 | 83 | 79 | 77 | 87 | 83 | 79 | 76 | 86 | 82 | 78 | 76 | 84 | 81 | 78 | 76 | 74 |
| 1.25 | 92 | 87 | 84 | 81 | 91 | 87 | 83 | 81 | 89 | 85 | 83 | 80 | 87 | 84 | 82 | 80 | 78 |
| 1.50 | 94 | 90 | 87 | 84 | 93 | 89 | 86 | 84 | 91 | 88 | 86 | 84 | 89 | 87 | 85 | 83 | 81 |
| 2.00 | 97 | 94 | 92 | 90 | 96 | 94 | 91 | 90 | 95 | 92 | 90 | 89 | 93 | 91 | 89 | 88 | 86 |
| 2.50 | 99 | 97 | 95 | 94 | 98 | 96 | 95 | 93 | 97 | 95 | 93 | 92 | 95 | 93 | 92 | 91 | 89 |
| 3.00 | 101 | 99 | 97 | 96 | 100 | 98 | 97 | 95 | 98 | 97 | 95 | 94 | 96 | 95 | 94 | 93 | 91 |
| 4.00 | 102 | 101 | 100 | 99 | 101 | 100 | 99 | 98 | 99 | 98 | 97 | 97 | 97 | 97 | 96 | 95 | 93 |
| 5.00 | 103 | 102 | 101 | 100 | 102 | 101 | 100 | 99 | 100 | 99 | 98 | 98 | 98 | 97 | 97 | 96 | 94 |
| 7.00 | 103 | 103 | 102 | 102 | 102 | 102 | 101 | 101 | 101 | 100 | 100 | 99 | 99 | 98 | 98 | 98 | 95 |
| 10.00 | 104 | 104 | 103 | 103 | 103 | 103 | 102 | 102 | 101 | 101 | 101 | 100 | 99 | 99 | 99 | 99 | 96 |

屋内照明器具特性

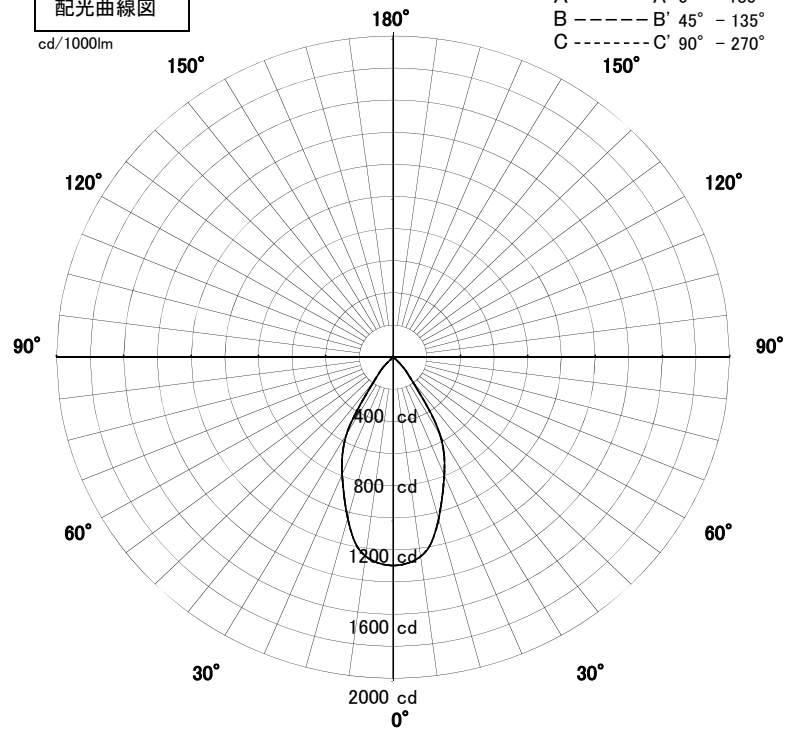


| | | | |
|----------------|---------------------|----|------------------------|
| 品名 | DD-3320 | | |
| 光源 | LECF/10L-M9-GH3085P | | |
| 実効光束 (器具光束) | 948lm | 効率 | 93.8lm/W (100/200V) |



配光曲線図

cd/1000lm



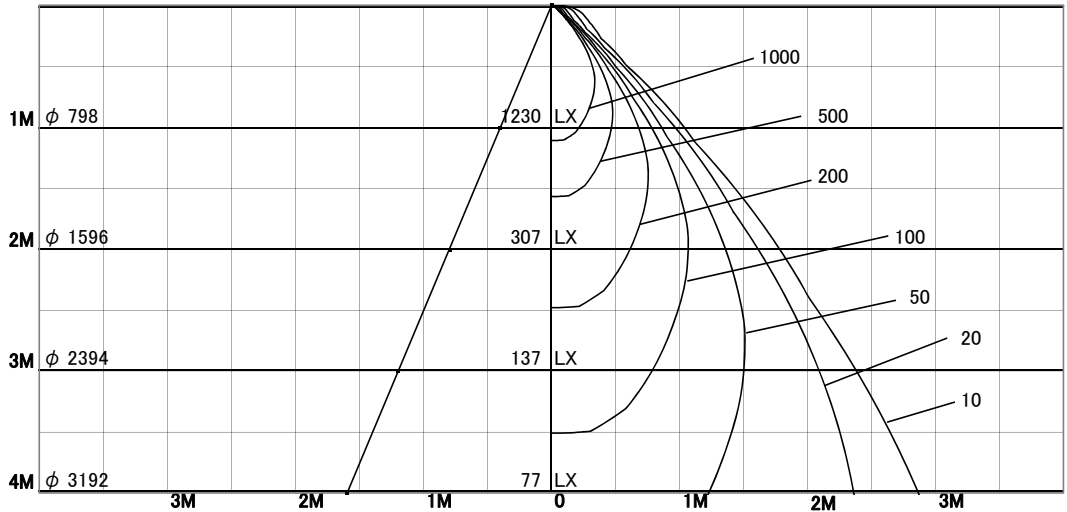
1/2照度角

直射水平面照度

単位: Lx

| | | |
|--------|-------|------|
| 色温度 | 3000K | |
| 演色評価指数 | Ra85 | |
| 保守率 | 良 | 0.8 |
| | 中 | 0.6 |
| | 否 | 0.54 |

| | | |
|--------|------|-----|
| 1/2照度角 | | |
| A-A' | 43.5 | Deg |
| C-C' | 43.5 | Deg |
| 最大取付間隔 | | |
| A-A' | 0.80 | H |
| C-C' | 0.80 | H |



照明率表

| | 80% | | | | 70% | | | | 50% | | | | 30% | | | | 0% |
|-------|-----|-----|-----|-----|-----|-----|-----|-----|-----|-----|-----|-----|-----|-----|-----|-----|----|
| | 70% | 50% | 30% | 10% | 70% | 50% | 30% | 10% | 70% | 50% | 30% | 10% | 70% | 50% | 30% | 10% | 0% |
| 天井 | | | | | | | | | | | | | | | | | |
| 壁 | | | | | | | | | | | | | | | | | |
| 床 | | | | | | | | | | | | | | | | | |
| 0.60 | 77 | 72 | 68 | 65 | 77 | 71 | 68 | 65 | 75 | 71 | 67 | 65 | 74 | 70 | 67 | 65 | 64 |
| 0.80 | 82 | 77 | 73 | 70 | 81 | 76 | 73 | 70 | 80 | 76 | 72 | 70 | 79 | 75 | 72 | 70 | 69 |
| 1.00 | 86 | 82 | 78 | 76 | 85 | 81 | 78 | 75 | 84 | 80 | 77 | 75 | 82 | 79 | 77 | 75 | 73 |
| 1.25 | 89 | 85 | 82 | 80 | 88 | 85 | 82 | 79 | 87 | 84 | 81 | 79 | 85 | 82 | 80 | 78 | 77 |
| 1.50 | 91 | 88 | 85 | 83 | 91 | 87 | 84 | 82 | 89 | 86 | 84 | 82 | 87 | 85 | 83 | 81 | 80 |
| 2.00 | 95 | 92 | 90 | 88 | 94 | 91 | 89 | 87 | 92 | 90 | 88 | 87 | 90 | 89 | 87 | 86 | 84 |
| 2.50 | 96 | 94 | 93 | 91 | 96 | 94 | 92 | 91 | 94 | 92 | 91 | 90 | 92 | 91 | 90 | 89 | 87 |
| 3.00 | 98 | 96 | 95 | 94 | 97 | 95 | 94 | 93 | 95 | 94 | 93 | 92 | 93 | 92 | 92 | 91 | 89 |
| 4.00 | 99 | 98 | 97 | 96 | 98 | 97 | 96 | 95 | 96 | 95 | 95 | 94 | 94 | 94 | 93 | 93 | 91 |
| 5.00 | 100 | 99 | 98 | 97 | 99 | 98 | 97 | 97 | 97 | 96 | 96 | 95 | 95 | 95 | 94 | 94 | 92 |
| 7.00 | 100 | 100 | 99 | 99 | 99 | 99 | 99 | 98 | 97 | 97 | 97 | 97 | 96 | 96 | 95 | 95 | 93 |
| 10.00 | 101 | 101 | 100 | 100 | 100 | 100 | 99 | 99 | 98 | 98 | 98 | 98 | 96 | 96 | 96 | 96 | 93 |

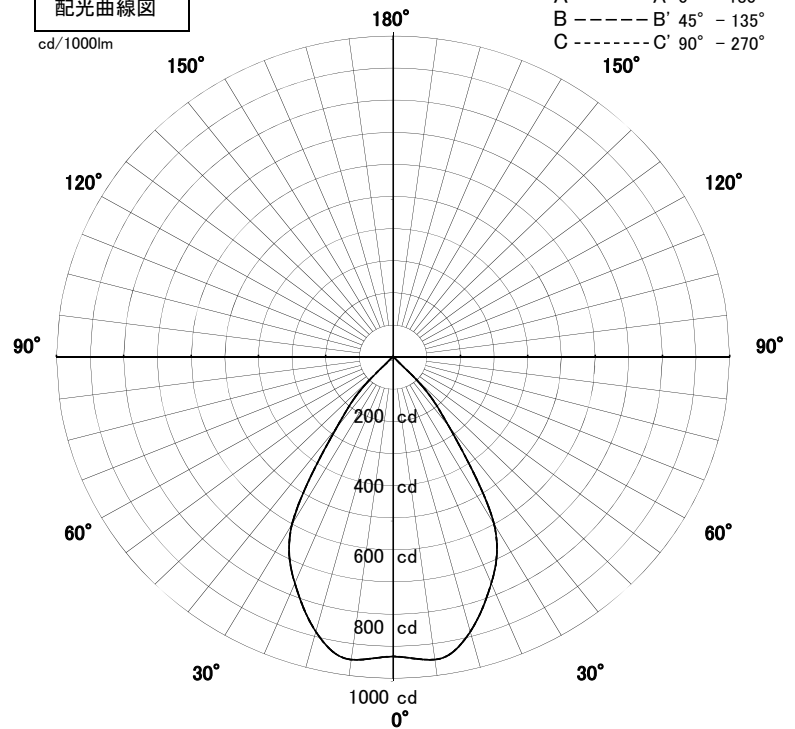
屋内照明器具特性



| | | | |
|----------------|--------------------|----|---------------------|
| 品名 | DD-3320 | | |
| 光源 | LECF/14N-W15GH5085 | | |
| 実効光束 (器具光束) | 1464lm | 効率 | 104.6lm/W (100V) |

配光曲線図

cd/1000lm



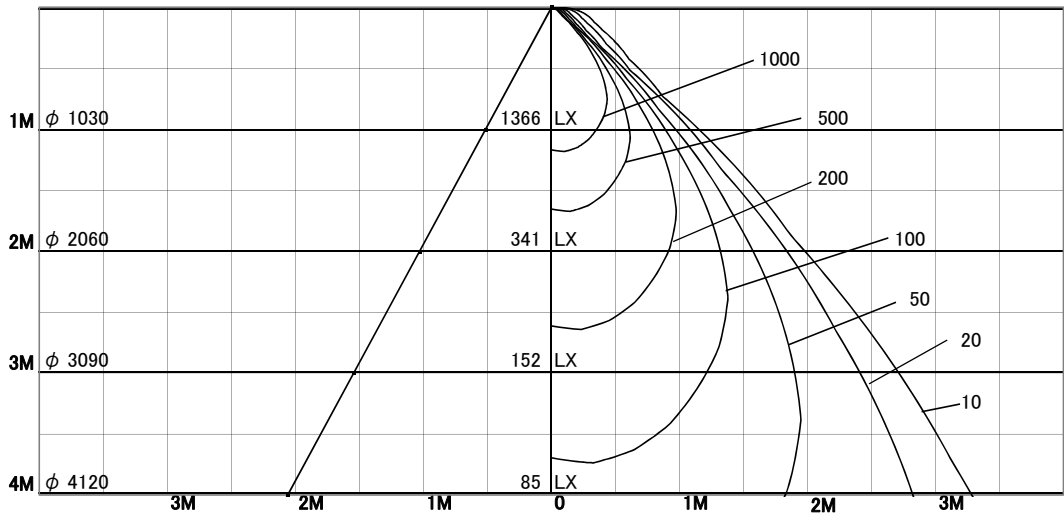
1/2照度角

直射水平面照度

単位:Lx

| | | |
|--------|-------|------|
| 色温度 | 5000K | |
| 演色評価指数 | Ra85 | |
| 保守率 | 良 | 0.8 |
| | 中 | 0.6 |
| | 否 | 0.54 |

| | | |
|--------|------|-----|
| 1/2照度角 | | |
| A-A' | 54.5 | Deg |
| C-C' | 54.5 | Deg |
| 最大取付間隔 | | |
| A-A' | 1.03 | H |
| C-C' | 1.03 | H |



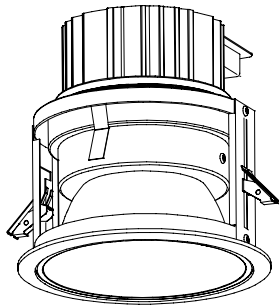
照明率表

| 天井 | 80% | | | | 70% | | | | 50% | | | | 30% | | | | 0% |
|-------|-----|-----|-----|-----|-----|-----|-----|-----|-----|-----|-----|-----|-----|-----|-----|-----|----|
| | 70% | 50% | 30% | 10% | 70% | 50% | 30% | 10% | 70% | 50% | 30% | 10% | 70% | 50% | 30% | 10% | 0% |
| 壁 | 10% | | | | | | | | | | | | | | | | 0% |
| 床 | 10% | | | | | | | | | | | | | | | | 0% |
| 0.60 | 78 | 72 | 68 | 65 | 78 | 72 | 68 | 65 | 76 | 71 | 68 | 65 | 75 | 70 | 67 | 65 | 64 |
| 0.80 | 84 | 78 | 74 | 71 | 83 | 78 | 74 | 71 | 81 | 77 | 73 | 71 | 80 | 76 | 73 | 70 | 69 |
| 1.00 | 88 | 83 | 79 | 77 | 87 | 83 | 79 | 76 | 86 | 82 | 78 | 76 | 84 | 81 | 78 | 76 | 74 |
| 1.25 | 92 | 87 | 84 | 81 | 91 | 87 | 83 | 81 | 89 | 85 | 83 | 80 | 87 | 84 | 82 | 80 | 78 |
| 1.50 | 94 | 90 | 87 | 84 | 93 | 89 | 86 | 84 | 91 | 88 | 86 | 84 | 89 | 87 | 85 | 83 | 81 |
| 2.00 | 97 | 94 | 92 | 90 | 96 | 94 | 91 | 90 | 95 | 92 | 90 | 89 | 93 | 91 | 89 | 88 | 86 |
| 2.50 | 99 | 97 | 95 | 94 | 98 | 96 | 95 | 93 | 97 | 95 | 93 | 92 | 95 | 93 | 92 | 91 | 89 |
| 3.00 | 101 | 99 | 97 | 96 | 100 | 98 | 97 | 95 | 98 | 97 | 95 | 94 | 96 | 95 | 94 | 93 | 91 |
| 4.00 | 102 | 101 | 100 | 99 | 101 | 100 | 99 | 98 | 99 | 98 | 97 | 97 | 97 | 97 | 96 | 95 | 93 |
| 5.00 | 103 | 102 | 101 | 100 | 102 | 101 | 100 | 99 | 100 | 99 | 98 | 98 | 98 | 97 | 97 | 96 | 94 |
| 7.00 | 103 | 103 | 102 | 102 | 102 | 102 | 101 | 101 | 101 | 100 | 100 | 99 | 99 | 98 | 98 | 98 | 95 |
| 10.00 | 104 | 104 | 103 | 103 | 103 | 103 | 102 | 102 | 101 | 101 | 101 | 100 | 99 | 99 | 99 | 99 | 96 |

屋内照明器具特性

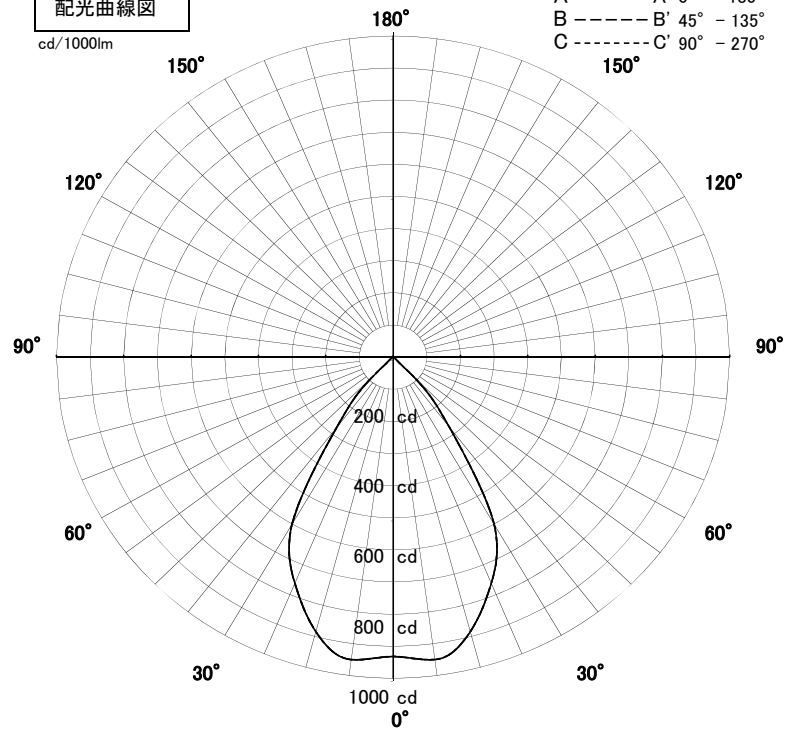


| | | | |
|----------------|--------------------|----|---------------------|
| 品名 | DD-3320 | | |
| 光源 | LECF/14N-W15GH5085 | | |
| 実効光束 (器具光束) | 1464lm | 効率 | 106.1lm/W (200V) |



配光曲線図

cd/1000lm



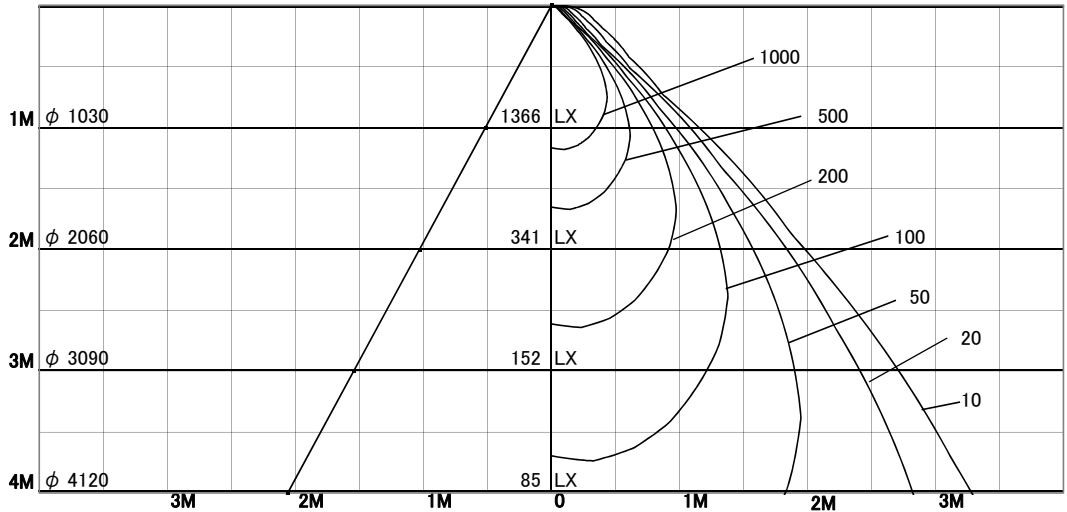
1/2照度角

直射水平面照度

単位:Lx

| | | |
|--------|-------|------|
| 色温度 | 5000K | |
| 演色評価指数 | Ra85 | |
| 保守率 | 良 | 0.8 |
| | 中 | 0.6 |
| | 否 | 0.54 |

| | | |
|--------|------|-----|
| 1/2照度角 | | |
| A-A' | 54.5 | Deg |
| C-C' | 54.5 | Deg |
| 最大取付間隔 | | |
| A-A' | 1.03 | H |
| C-C' | 1.03 | H |



照明率表

| 天井 | 80% | | | | 70% | | | | 50% | | | | 30% | | | | 0% |
|-------|-----|-----|-----|-----|-----|-----|-----|-----|-----|-----|-----|-----|-----|-----|-----|-----|----|
| | 70% | 50% | 30% | 10% | 70% | 50% | 30% | 10% | 70% | 50% | 30% | 10% | 70% | 50% | 30% | 10% | 0% |
| 壁 | 10% | | | | | | | | | | | | | | | | 0% |
| 床 | 10% | | | | | | | | | | | | | | | | 0% |
| 0.60 | 78 | 72 | 68 | 65 | 78 | 72 | 68 | 65 | 76 | 71 | 68 | 65 | 75 | 70 | 67 | 65 | 64 |
| 0.80 | 84 | 78 | 74 | 71 | 83 | 78 | 74 | 71 | 81 | 77 | 73 | 71 | 80 | 76 | 73 | 70 | 69 |
| 1.00 | 88 | 83 | 79 | 77 | 87 | 83 | 79 | 76 | 86 | 82 | 78 | 76 | 84 | 81 | 78 | 76 | 74 |
| 1.25 | 92 | 87 | 84 | 81 | 91 | 87 | 83 | 81 | 89 | 85 | 83 | 80 | 87 | 84 | 82 | 80 | 78 |
| 1.50 | 94 | 90 | 87 | 84 | 93 | 89 | 86 | 84 | 91 | 88 | 86 | 84 | 89 | 87 | 85 | 83 | 81 |
| 2.00 | 97 | 94 | 92 | 90 | 96 | 94 | 91 | 90 | 95 | 92 | 90 | 89 | 93 | 91 | 89 | 88 | 86 |
| 2.50 | 99 | 97 | 95 | 94 | 98 | 96 | 95 | 93 | 97 | 95 | 93 | 92 | 95 | 93 | 92 | 91 | 89 |
| 3.00 | 101 | 99 | 97 | 96 | 100 | 98 | 97 | 95 | 98 | 97 | 95 | 94 | 96 | 95 | 94 | 93 | 91 |
| 4.00 | 102 | 101 | 100 | 99 | 101 | 100 | 99 | 98 | 99 | 98 | 97 | 97 | 97 | 97 | 96 | 95 | 93 |
| 5.00 | 103 | 102 | 101 | 100 | 102 | 101 | 100 | 99 | 100 | 99 | 98 | 98 | 98 | 97 | 97 | 96 | 94 |
| 7.00 | 103 | 103 | 102 | 102 | 102 | 102 | 101 | 101 | 101 | 100 | 100 | 99 | 99 | 98 | 98 | 98 | 95 |
| 10.00 | 104 | 104 | 103 | 103 | 103 | 103 | 102 | 102 | 101 | 101 | 101 | 100 | 99 | 99 | 99 | 99 | 96 |

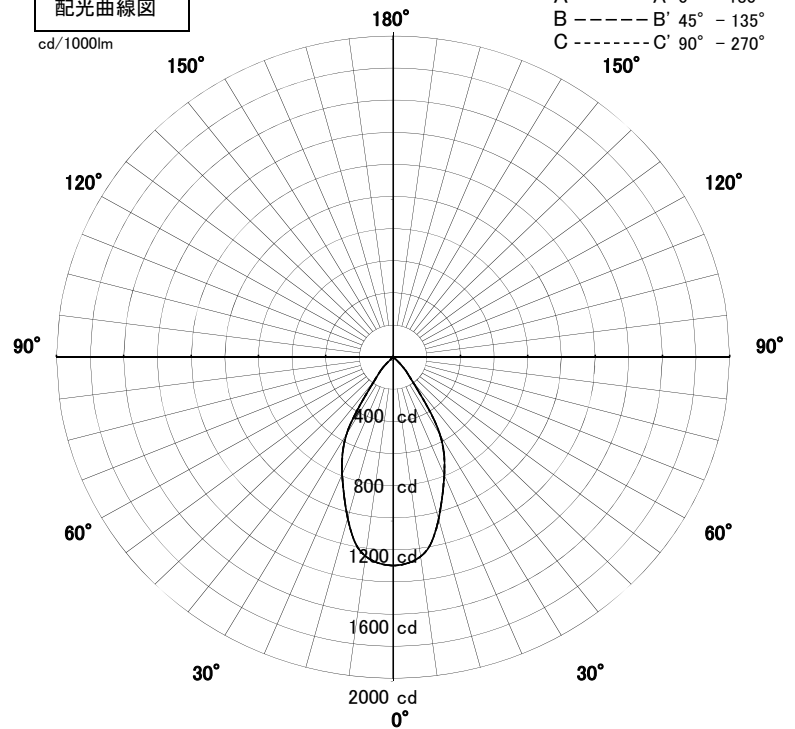
屋内照明器具特性



| | | | |
|----------------|--------------------|----|---------------------|
| 品名 | DD-3320 | | |
| 光源 | LECF/14N-M15GH5085 | | |
| 実効光束 (器具光束) | 1522lm | 効率 | 108.7lm/W (100V) |

配光曲線図

cd/1000lm



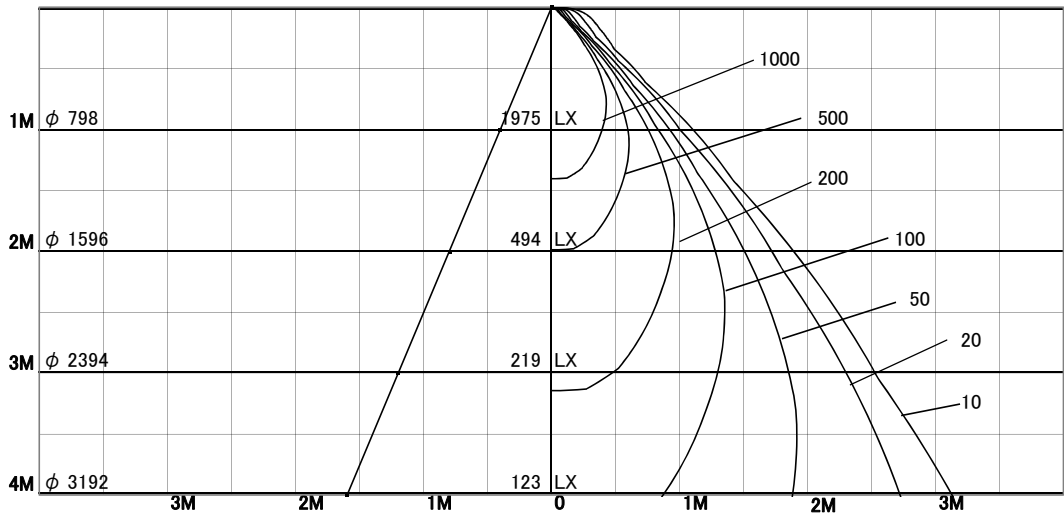
1/2照度角

直射水平面照度

単位: Lx

| | | |
|--------|-------|------|
| 色温度 | 5000K | |
| 演色評価指数 | Ra85 | |
| 保守率 | 良 | 0.8 |
| | 中 | 0.6 |
| | 否 | 0.54 |

| | | |
|--------|------|-----|
| 1/2照度角 | | |
| A-A' | 43.5 | Deg |
| C-C' | 43.5 | Deg |
| 最大取付間隔 | | |
| A-A' | 0.80 | H |
| C-C' | 0.80 | H |



照明率表

| 天井 | 80% | | | | 70% | | | | 50% | | | | 30% | | | | 0% |
|-------|-----|-----|-----|-----|-----|-----|-----|-----|-----|-----|-----|-----|-----|-----|-----|-----|----|
| | 70% | 50% | 30% | 10% | 70% | 50% | 30% | 10% | 70% | 50% | 30% | 10% | 70% | 50% | 30% | 10% | |
| 壁 | 10% | | | | | | | | | | | | | | | | |
| 床 | 10% | | | | | | | | | | | | | | | | |
| 0.60 | 77 | 72 | 68 | 65 | 77 | 71 | 68 | 65 | 75 | 71 | 67 | 65 | 74 | 70 | 67 | 65 | 64 |
| 0.80 | 82 | 77 | 73 | 70 | 81 | 76 | 73 | 70 | 80 | 76 | 72 | 70 | 79 | 75 | 72 | 70 | 69 |
| 1.00 | 86 | 82 | 78 | 76 | 85 | 81 | 78 | 75 | 84 | 80 | 77 | 75 | 82 | 79 | 77 | 75 | 73 |
| 1.25 | 89 | 85 | 82 | 80 | 88 | 85 | 82 | 79 | 87 | 84 | 81 | 79 | 85 | 82 | 80 | 78 | 77 |
| 1.50 | 91 | 88 | 85 | 83 | 91 | 87 | 84 | 82 | 89 | 86 | 84 | 82 | 87 | 85 | 83 | 81 | 80 |
| 2.00 | 95 | 92 | 90 | 88 | 94 | 91 | 89 | 87 | 92 | 90 | 88 | 87 | 90 | 89 | 87 | 86 | 84 |
| 2.50 | 96 | 94 | 93 | 91 | 96 | 94 | 92 | 91 | 94 | 92 | 91 | 90 | 92 | 91 | 90 | 89 | 87 |
| 3.00 | 98 | 96 | 95 | 94 | 97 | 95 | 94 | 93 | 95 | 94 | 93 | 92 | 93 | 92 | 92 | 91 | 89 |
| 4.00 | 99 | 98 | 97 | 96 | 98 | 97 | 96 | 95 | 96 | 95 | 95 | 94 | 94 | 94 | 93 | 93 | 91 |
| 5.00 | 100 | 99 | 98 | 97 | 99 | 98 | 97 | 97 | 97 | 96 | 96 | 95 | 95 | 95 | 94 | 94 | 92 |
| 7.00 | 100 | 100 | 99 | 99 | 99 | 99 | 99 | 98 | 97 | 97 | 97 | 97 | 96 | 96 | 95 | 95 | 93 |
| 10.00 | 101 | 101 | 100 | 100 | 100 | 100 | 99 | 99 | 98 | 98 | 98 | 98 | 96 | 96 | 96 | 96 | 93 |

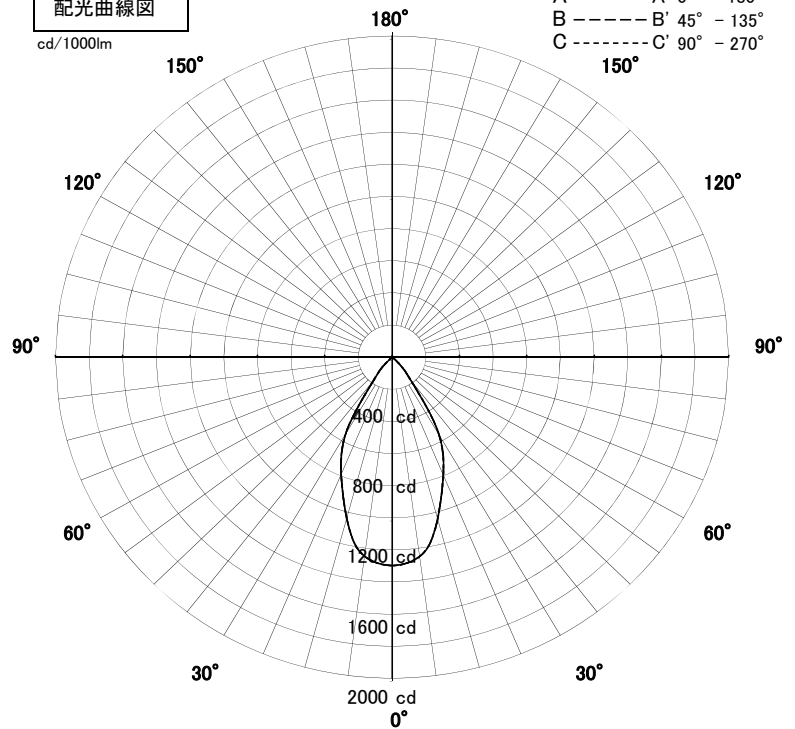
屋内照明器具特性



| | | | |
|----------------|--------------------|----|---------------------|
| 品名 | DD-3320 | | |
| 光源 | LECF/14N-M15GH5085 | | |
| 実効光束 (器具光束) | 1522lm | 効率 | 110.3lm/W (200V) |

配光曲線図

cd/1000lm



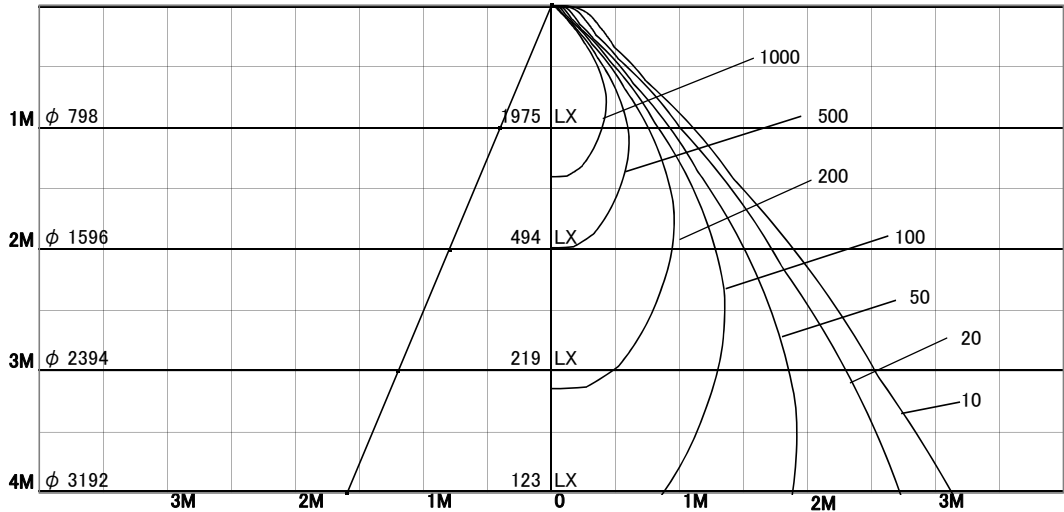
1/2照度角

直射水平面照度

単位: Lx

| | | |
|--------|-------|------|
| 色温度 | 5000K | |
| 演色評価指数 | Ra85 | |
| 保守率 | 良 | 0.8 |
| | 中 | 0.6 |
| | 否 | 0.54 |

| | | |
|--------|------|-----|
| 1/2照度角 | | |
| A-A' | 43.5 | Deg |
| C-C' | 43.5 | Deg |
| 最大取付間隔 | | |
| A-A' | 0.80 | H |
| C-C' | 0.80 | H |



照明率表

| 天井 | 80% | | | | 70% | | | | 50% | | | | 30% | | | | 0% |
|-------|-----|-----|-----|-----|-----|-----|-----|-----|-----|-----|-----|-----|-----|-----|-----|-----|----|
| | 70% | 50% | 30% | 10% | 70% | 50% | 30% | 10% | 70% | 50% | 30% | 10% | 70% | 50% | 30% | 10% | 0% |
| 壁 | 10% | | | | | | | | | | | | | | | | 0% |
| 床 | 10% | | | | | | | | | | | | | | | | 0% |
| 0.60 | 77 | 72 | 68 | 65 | 77 | 71 | 68 | 65 | 75 | 71 | 67 | 65 | 74 | 70 | 67 | 65 | 64 |
| 0.80 | 82 | 77 | 73 | 70 | 81 | 76 | 73 | 70 | 80 | 76 | 72 | 70 | 79 | 75 | 72 | 70 | 69 |
| 1.00 | 86 | 82 | 78 | 76 | 85 | 81 | 78 | 75 | 84 | 80 | 77 | 75 | 82 | 79 | 77 | 75 | 73 |
| 1.25 | 89 | 85 | 82 | 80 | 88 | 85 | 82 | 79 | 87 | 84 | 81 | 79 | 85 | 82 | 80 | 78 | 77 |
| 1.50 | 91 | 88 | 85 | 83 | 91 | 87 | 84 | 82 | 89 | 86 | 84 | 82 | 87 | 85 | 83 | 81 | 80 |
| 2.00 | 95 | 92 | 90 | 88 | 94 | 91 | 89 | 87 | 92 | 90 | 88 | 87 | 90 | 89 | 87 | 86 | 84 |
| 2.50 | 96 | 94 | 93 | 91 | 96 | 94 | 92 | 91 | 94 | 92 | 91 | 90 | 92 | 91 | 90 | 89 | 87 |
| 3.00 | 98 | 96 | 95 | 94 | 97 | 95 | 94 | 93 | 95 | 94 | 93 | 92 | 93 | 92 | 92 | 91 | 89 |
| 4.00 | 99 | 98 | 97 | 96 | 98 | 97 | 96 | 95 | 96 | 95 | 95 | 94 | 94 | 94 | 93 | 93 | 91 |
| 5.00 | 100 | 99 | 98 | 97 | 99 | 98 | 97 | 97 | 97 | 96 | 96 | 95 | 95 | 95 | 94 | 94 | 92 |
| 7.00 | 100 | 100 | 99 | 99 | 99 | 99 | 99 | 98 | 97 | 97 | 97 | 97 | 96 | 96 | 95 | 95 | 93 |
| 10.00 | 101 | 101 | 100 | 100 | 100 | 100 | 99 | 99 | 98 | 98 | 98 | 98 | 96 | 96 | 96 | 96 | 93 |

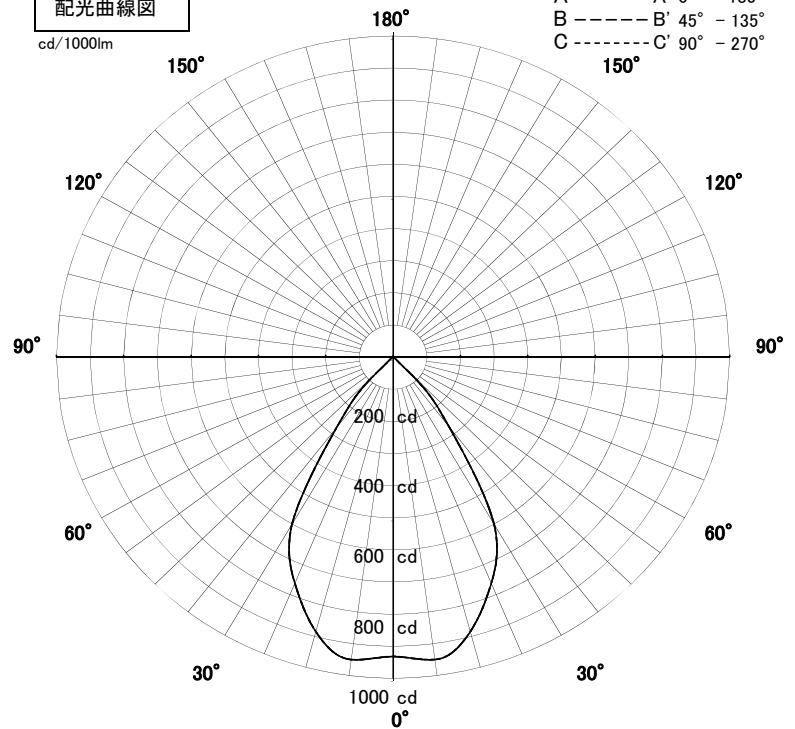
屋内照明器具特性



| | | | |
|----------------|--------------------|----|--------------------|
| 品名 | DD-3320 | | |
| 光源 | LECF/14W-W14GH4085 | | |
| 実効光束 (器具光束) | 1388lm | 効率 | 99.2lm/W (100V) |

配光曲線図

cd/1000lm



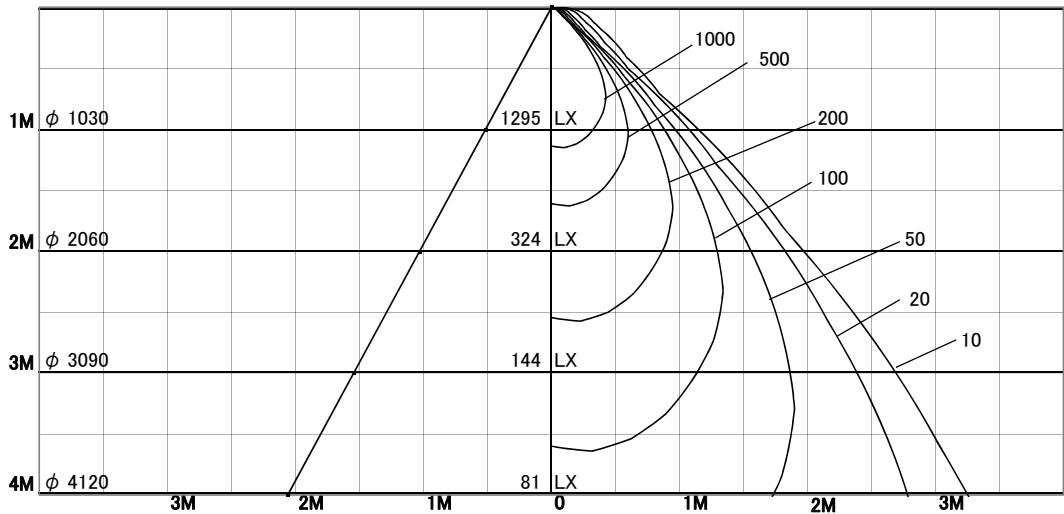
1/2照度角

直射水平面照度

単位:Lx

| | | |
|--------|-------|------|
| 色温度 | 4000K | |
| 演色評価指数 | Ra85 | |
| 保守率 | 良 | 0.8 |
| | 中 | 0.6 |
| | 否 | 0.54 |

| | | |
|--------|------|-----|
| 1/2照度角 | | |
| A-A' | 54.5 | Deg |
| C-C' | 54.5 | Deg |
| 最大取付間隔 | | |
| A-A' | 1.03 | H |
| C-C' | 1.03 | H |



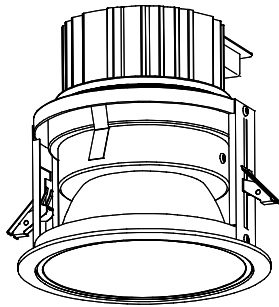
照明率表

| 天井 | 80% | | | | 70% | | | | 50% | | | | 30% | | | | 0% |
|-------|-----|-----|-----|-----|-----|-----|-----|-----|-----|-----|-----|-----|-----|-----|-----|-----|----|
| | 70% | 50% | 30% | 10% | 70% | 50% | 30% | 10% | 70% | 50% | 30% | 10% | 70% | 50% | 30% | 10% | 0% |
| 壁 | 10% | | | | | | | | | | | | | | | | 0% |
| 床 | 10% | | | | | | | | | | | | | | | | 0% |
| 0.60 | 78 | 72 | 68 | 65 | 78 | 72 | 68 | 65 | 76 | 71 | 68 | 65 | 75 | 70 | 67 | 65 | 64 |
| 0.80 | 84 | 78 | 74 | 71 | 83 | 78 | 74 | 71 | 81 | 77 | 73 | 71 | 80 | 76 | 73 | 70 | 69 |
| 1.00 | 88 | 83 | 79 | 77 | 87 | 83 | 79 | 76 | 86 | 82 | 78 | 76 | 84 | 81 | 78 | 76 | 74 |
| 1.25 | 92 | 87 | 84 | 81 | 91 | 87 | 83 | 81 | 89 | 85 | 83 | 80 | 87 | 84 | 82 | 80 | 78 |
| 1.50 | 94 | 90 | 87 | 84 | 93 | 89 | 86 | 84 | 91 | 88 | 86 | 84 | 89 | 87 | 85 | 83 | 81 |
| 2.00 | 97 | 94 | 92 | 90 | 96 | 94 | 91 | 90 | 95 | 92 | 90 | 89 | 93 | 91 | 89 | 88 | 86 |
| 2.50 | 99 | 97 | 95 | 94 | 98 | 96 | 95 | 93 | 97 | 95 | 93 | 92 | 95 | 93 | 92 | 91 | 89 |
| 3.00 | 101 | 99 | 97 | 96 | 100 | 98 | 97 | 95 | 98 | 97 | 95 | 94 | 96 | 95 | 94 | 93 | 91 |
| 4.00 | 102 | 101 | 100 | 99 | 101 | 100 | 99 | 98 | 99 | 98 | 97 | 97 | 97 | 97 | 96 | 95 | 93 |
| 5.00 | 103 | 102 | 101 | 100 | 102 | 101 | 100 | 99 | 100 | 99 | 98 | 98 | 98 | 97 | 97 | 96 | 94 |
| 7.00 | 103 | 103 | 102 | 102 | 102 | 102 | 101 | 101 | 101 | 100 | 100 | 99 | 99 | 98 | 98 | 98 | 95 |
| 10.00 | 104 | 104 | 103 | 103 | 103 | 103 | 102 | 102 | 101 | 101 | 101 | 100 | 99 | 99 | 99 | 99 | 96 |

屋内照明器具特性

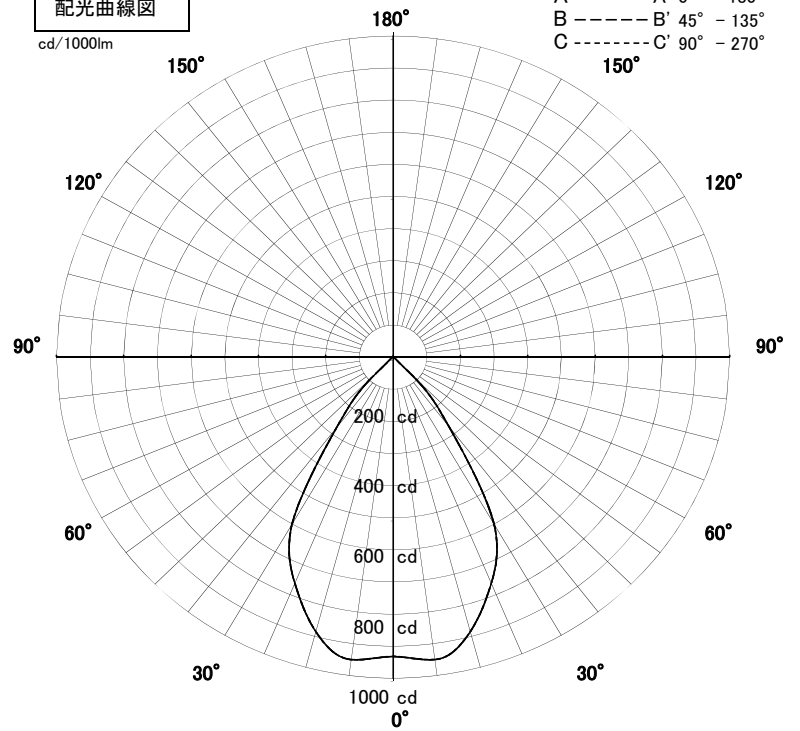


| | | | |
|----------------|--------------------|----|---------------------|
| 品名 | DD-3320 | | |
| 光源 | LECF/14W-W14GH4085 | | |
| 実効光束 (器具光束) | 1388lm | 効率 | 100.6lm/W (200V) |



配光曲線図

cd/1000lm



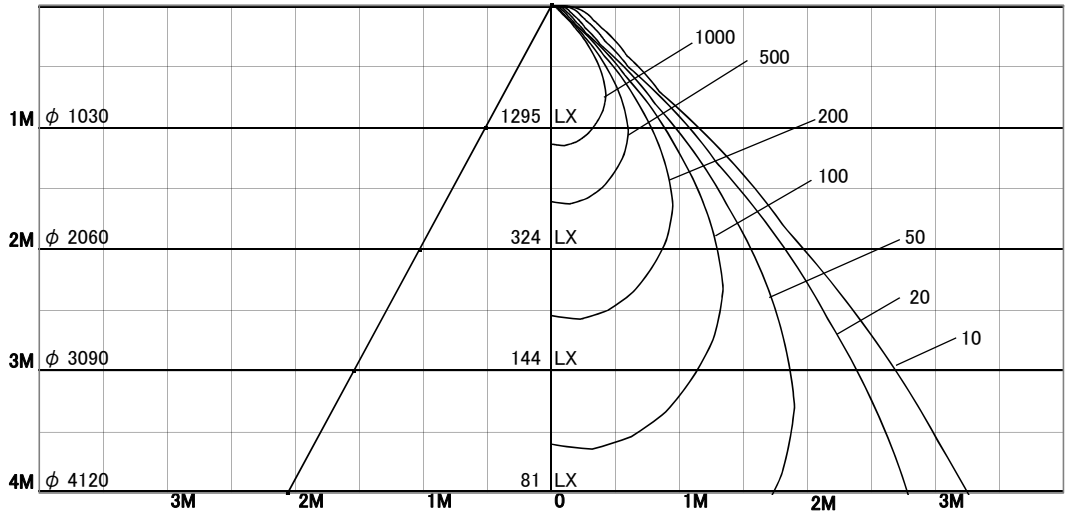
1/2照度角

直射水平面照度

単位:Lx

| | | |
|--------|-------|------|
| 色温度 | 4000K | |
| 演色評価指数 | Ra85 | |
| 保守率 | 良 | 0.8 |
| | 中 | 0.6 |
| | 否 | 0.54 |

| | | |
|--------|------|-----|
| 1/2照度角 | | |
| A-A' | 54.5 | Deg |
| C-C' | 54.5 | Deg |
| 最大取付間隔 | | |
| A-A' | 1.03 | H |
| C-C' | 1.03 | H |



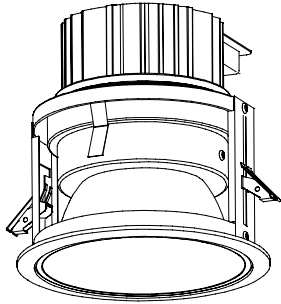
照明率表

| 天井 | 80% | | | | 70% | | | | 50% | | | | 30% | | | | 0% |
|-------|-----|-----|-----|-----|-----|-----|-----|-----|-----|-----|-----|-----|-----|-----|-----|-----|----|
| | 70% | 50% | 30% | 10% | 70% | 50% | 30% | 10% | 70% | 50% | 30% | 10% | 70% | 50% | 30% | 10% | 0% |
| 壁 | 10% | | | | | | | | | | | | | | | | 0% |
| 床 | 10% | | | | | | | | | | | | | | | | 0% |
| 0.60 | 78 | 72 | 68 | 65 | 78 | 72 | 68 | 65 | 76 | 71 | 68 | 65 | 75 | 70 | 67 | 65 | 64 |
| 0.80 | 84 | 78 | 74 | 71 | 83 | 78 | 74 | 71 | 81 | 77 | 73 | 71 | 80 | 76 | 73 | 70 | 69 |
| 1.00 | 88 | 83 | 79 | 77 | 87 | 83 | 79 | 76 | 86 | 82 | 78 | 76 | 84 | 81 | 78 | 76 | 74 |
| 1.25 | 92 | 87 | 84 | 81 | 91 | 87 | 83 | 81 | 89 | 85 | 83 | 80 | 87 | 84 | 82 | 80 | 78 |
| 1.50 | 94 | 90 | 87 | 84 | 93 | 89 | 86 | 84 | 91 | 88 | 86 | 84 | 89 | 87 | 85 | 83 | 81 |
| 2.00 | 97 | 94 | 92 | 90 | 96 | 94 | 91 | 90 | 95 | 92 | 90 | 89 | 93 | 91 | 89 | 88 | 86 |
| 2.50 | 99 | 97 | 95 | 94 | 98 | 96 | 95 | 93 | 97 | 95 | 93 | 92 | 95 | 93 | 92 | 91 | 89 |
| 3.00 | 101 | 99 | 97 | 96 | 100 | 98 | 97 | 95 | 98 | 97 | 95 | 94 | 96 | 95 | 94 | 93 | 91 |
| 4.00 | 102 | 101 | 100 | 99 | 101 | 100 | 99 | 98 | 99 | 98 | 97 | 97 | 97 | 97 | 96 | 95 | 93 |
| 5.00 | 103 | 102 | 101 | 100 | 102 | 101 | 100 | 99 | 100 | 99 | 98 | 98 | 98 | 97 | 97 | 96 | 94 |
| 7.00 | 103 | 103 | 102 | 102 | 102 | 102 | 101 | 101 | 101 | 100 | 100 | 99 | 99 | 98 | 98 | 98 | 95 |
| 10.00 | 104 | 104 | 103 | 103 | 103 | 103 | 102 | 102 | 101 | 101 | 101 | 100 | 99 | 99 | 99 | 99 | 96 |

屋内照明器具特性

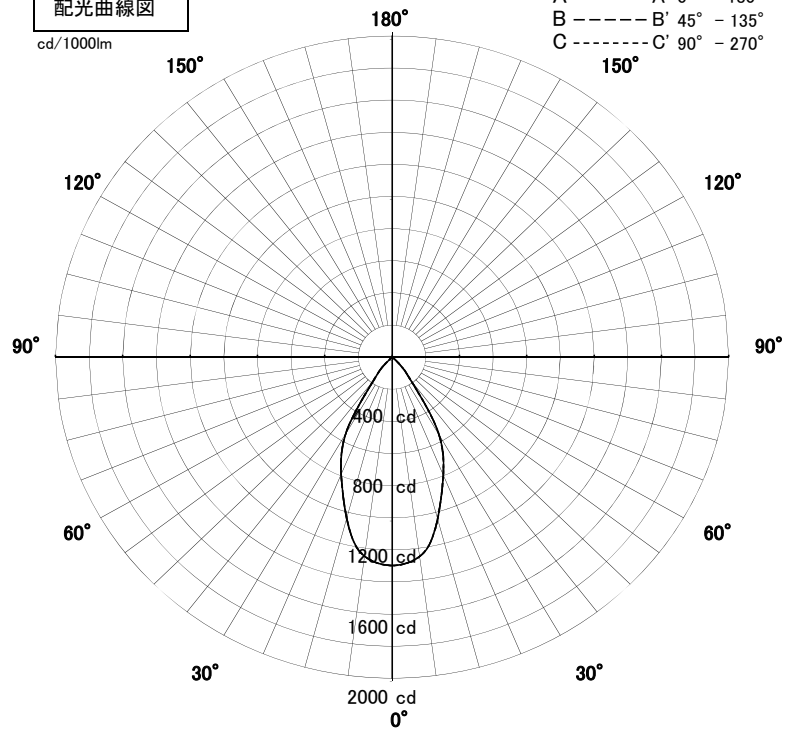


| | | | |
|----------------|--------------------|----|---------------------|
| 品名 | DD-3320 | | |
| 光源 | LECF/14W-M14GH4085 | | |
| 実効光束 (器具光束) | 1443lm | 効率 | 103.0lm/W (100V) |



配光曲線図

cd/1000lm



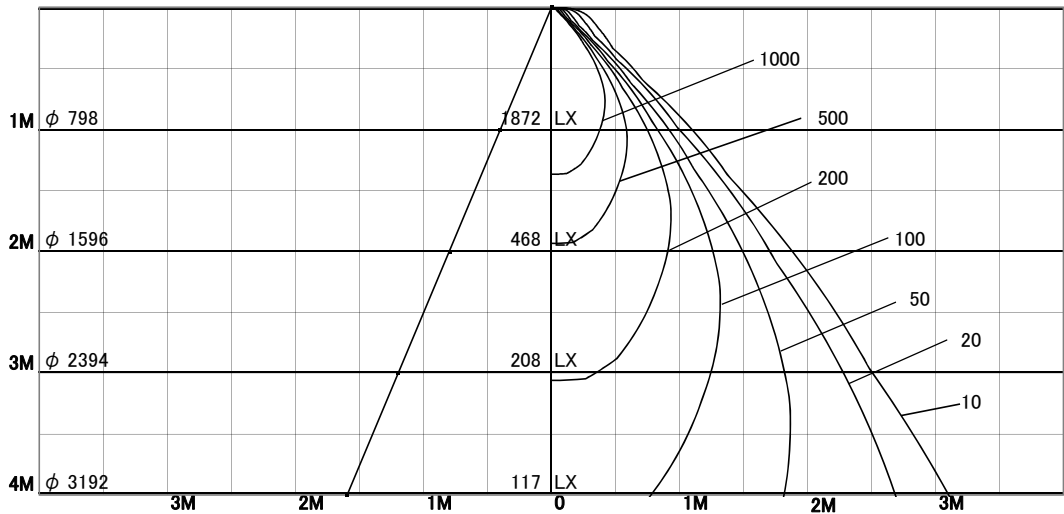
1/2照度角

直射水平面照度

単位: Lx

| | | |
|--------|-------|------|
| 色温度 | 4000K | |
| 演色評価指数 | Ra85 | |
| 保守率 | 良 | 0.8 |
| | 中 | 0.6 |
| | 否 | 0.54 |

| | | |
|--------|------|-----|
| 1/2照度角 | | |
| A-A' | 43.5 | Deg |
| C-C' | 43.5 | Deg |
| 最大取付間隔 | | |
| A-A' | 0.80 | H |
| C-C' | 0.80 | H |



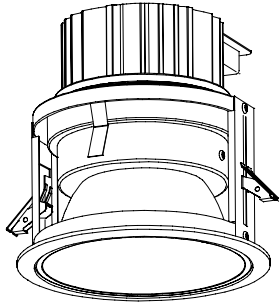
照明率表

| 天井 | 80% | | | | 70% | | | | 50% | | | | 30% | | | | 0% |
|-------|-----|-----|-----|-----|-----|-----|-----|-----|-----|-----|-----|-----|-----|-----|-----|-----|----|
| | 70% | 50% | 30% | 10% | 70% | 50% | 30% | 10% | 70% | 50% | 30% | 10% | 70% | 50% | 30% | 10% | 0% |
| 壁 | 10% | | | | | | | | | | | | | | | | 0% |
| 床 | 10% | | | | | | | | | | | | | | | | 0% |
| 0.60 | 77 | 72 | 68 | 65 | 77 | 71 | 68 | 65 | 75 | 71 | 67 | 65 | 74 | 70 | 67 | 65 | 64 |
| 0.80 | 82 | 77 | 73 | 70 | 81 | 76 | 73 | 70 | 80 | 76 | 72 | 70 | 79 | 75 | 72 | 70 | 69 |
| 1.00 | 86 | 82 | 78 | 76 | 85 | 81 | 78 | 75 | 84 | 80 | 77 | 75 | 82 | 79 | 77 | 75 | 73 |
| 1.25 | 89 | 85 | 82 | 80 | 88 | 85 | 82 | 79 | 87 | 84 | 81 | 79 | 85 | 82 | 80 | 78 | 77 |
| 1.50 | 91 | 88 | 85 | 83 | 91 | 87 | 84 | 82 | 89 | 86 | 84 | 82 | 87 | 85 | 83 | 81 | 80 |
| 2.00 | 95 | 92 | 90 | 88 | 94 | 91 | 89 | 87 | 92 | 90 | 88 | 87 | 90 | 89 | 87 | 86 | 84 |
| 2.50 | 96 | 94 | 93 | 91 | 96 | 94 | 92 | 91 | 94 | 92 | 91 | 90 | 92 | 91 | 90 | 89 | 87 |
| 3.00 | 98 | 96 | 95 | 94 | 97 | 95 | 94 | 93 | 95 | 94 | 93 | 92 | 93 | 92 | 92 | 91 | 89 |
| 4.00 | 99 | 98 | 97 | 96 | 98 | 97 | 96 | 95 | 96 | 95 | 95 | 94 | 94 | 94 | 93 | 93 | 91 |
| 5.00 | 100 | 99 | 98 | 97 | 99 | 98 | 97 | 97 | 97 | 96 | 96 | 95 | 95 | 95 | 94 | 94 | 92 |
| 7.00 | 100 | 100 | 99 | 99 | 99 | 99 | 99 | 98 | 97 | 97 | 97 | 97 | 96 | 96 | 95 | 95 | 93 |
| 10.00 | 101 | 101 | 100 | 100 | 100 | 100 | 99 | 99 | 98 | 98 | 98 | 98 | 96 | 96 | 96 | 96 | 93 |

屋内照明器具特性

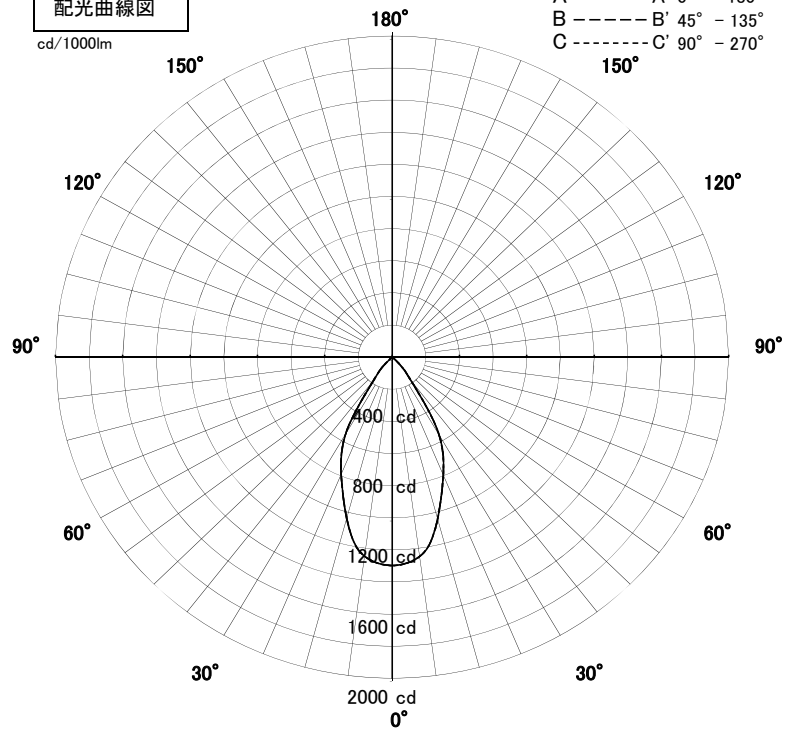


| | | | |
|----------------|--------------------|----|---------------------|
| 品名 | DD-3320 | | |
| 光源 | LECF/14W-M14GH4085 | | |
| 実効光束 (器具光束) | 1443lm | 効率 | 104.5lm/W (200V) |



配光曲線図

cd/1000lm



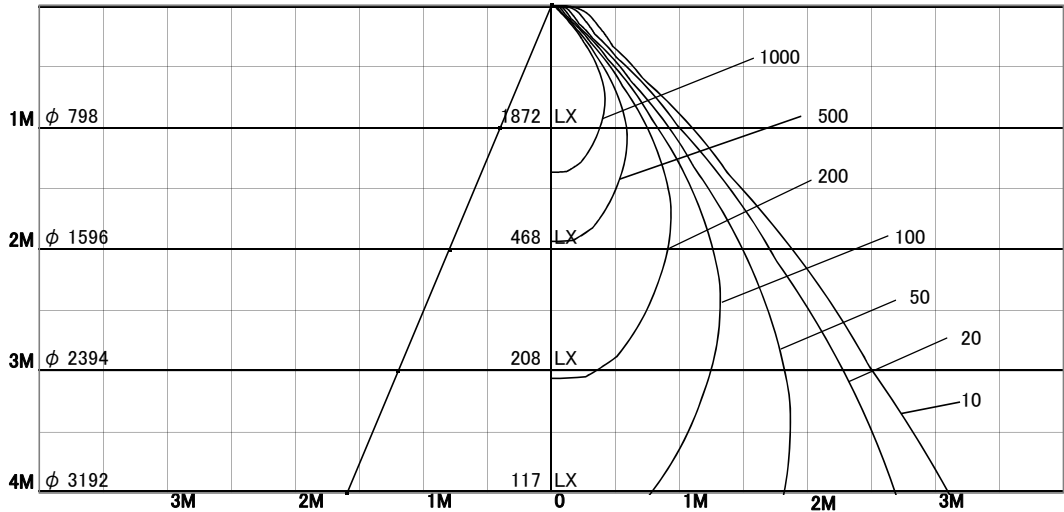
1/2照度角

直射水平面照度

単位: Lx

| | | |
|--------|-------|------|
| 色温度 | 4000K | |
| 演色評価指数 | Ra85 | |
| 保守率 | 良 | 0.8 |
| | 中 | 0.6 |
| | 否 | 0.54 |

| | | |
|--------|------|-----|
| 1/2照度角 | | |
| A-A' | 43.5 | Deg |
| C-C' | 43.5 | Deg |
| 最大取付間隔 | | |
| A-A' | 0.80 | H |
| C-C' | 0.80 | H |



照明率表

| 天井 | 80% | | | | 70% | | | | 50% | | | | 30% | | | | 0% |
|-------|-----|-----|-----|-----|-----|-----|-----|-----|-----|-----|-----|-----|-----|-----|-----|-----|----|
| | 70% | 50% | 30% | 10% | 70% | 50% | 30% | 10% | 70% | 50% | 30% | 10% | 70% | 50% | 30% | 10% | 0% |
| 壁 | 10% | | | | | | | | | | | | | | | | 0% |
| 床 | 10% | | | | | | | | | | | | | | | | 0% |
| 0.60 | 77 | 72 | 68 | 65 | 77 | 71 | 68 | 65 | 75 | 71 | 67 | 65 | 74 | 70 | 67 | 65 | 64 |
| 0.80 | 82 | 77 | 73 | 70 | 81 | 76 | 73 | 70 | 80 | 76 | 72 | 70 | 79 | 75 | 72 | 70 | 69 |
| 1.00 | 86 | 82 | 78 | 76 | 85 | 81 | 78 | 75 | 84 | 80 | 77 | 75 | 82 | 79 | 77 | 75 | 73 |
| 1.25 | 89 | 85 | 82 | 80 | 88 | 85 | 82 | 79 | 87 | 84 | 81 | 79 | 85 | 82 | 80 | 78 | 77 |
| 1.50 | 91 | 88 | 85 | 83 | 91 | 87 | 84 | 82 | 89 | 86 | 84 | 82 | 87 | 85 | 83 | 81 | 80 |
| 2.00 | 95 | 92 | 90 | 88 | 94 | 91 | 89 | 87 | 92 | 90 | 88 | 87 | 90 | 89 | 87 | 86 | 84 |
| 2.50 | 96 | 94 | 93 | 91 | 96 | 94 | 92 | 91 | 94 | 92 | 91 | 90 | 92 | 91 | 90 | 89 | 87 |
| 3.00 | 98 | 96 | 95 | 94 | 97 | 95 | 94 | 93 | 95 | 94 | 93 | 92 | 93 | 92 | 92 | 91 | 89 |
| 4.00 | 99 | 98 | 97 | 96 | 98 | 97 | 96 | 95 | 96 | 95 | 95 | 94 | 94 | 94 | 93 | 93 | 91 |
| 5.00 | 100 | 99 | 98 | 97 | 99 | 98 | 97 | 97 | 97 | 96 | 96 | 95 | 95 | 95 | 94 | 94 | 92 |
| 7.00 | 100 | 100 | 99 | 99 | 99 | 99 | 99 | 98 | 97 | 97 | 97 | 97 | 96 | 96 | 95 | 95 | 93 |
| 10.00 | 101 | 101 | 100 | 100 | 100 | 100 | 99 | 99 | 98 | 98 | 98 | 98 | 96 | 96 | 96 | 96 | 93 |

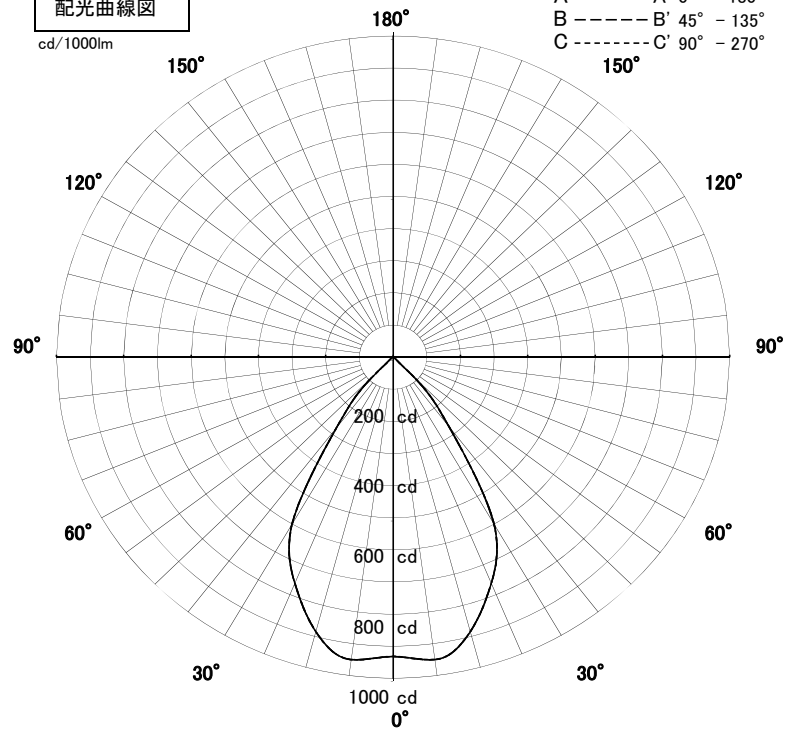
屋内照明器具特性



| | | | |
|----------------|--------------------|----|--------------------|
| 品名 | DD-3320 | | |
| 光源 | LECF/14L-W13GH3085 | | |
| 実効光束 (器具光束) | 1291lm | 効率 | 92.2lm/W (100V) |

配光曲線図

cd/1000lm



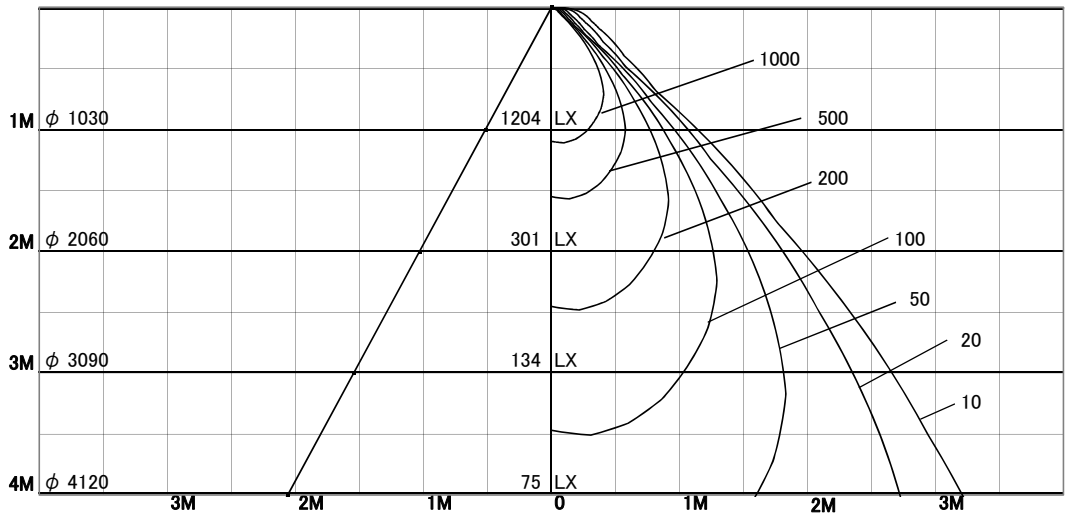
1/2照度角

直射水平面照度

単位:Lx

| | | |
|--------|-------|------|
| 色温度 | 3000K | |
| 演色評価指数 | Ra85 | |
| 保守率 | 良 | 0.8 |
| | 中 | 0.6 |
| | 否 | 0.54 |

| | | |
|--------|------|-----|
| 1/2照度角 | | |
| A-A' | 54.5 | Deg |
| C-C' | 54.5 | Deg |
| 最大取付間隔 | | |
| A-A' | 1.03 | H |
| C-C' | 1.03 | H |



照明率表

| 天井 | 80% | | | | 70% | | | | 50% | | | | 30% | | | | 0% |
|-------|-----|-----|-----|-----|-----|-----|-----|-----|-----|-----|-----|-----|-----|-----|-----|-----|----|
| | 70% | 50% | 30% | 10% | 70% | 50% | 30% | 10% | 70% | 50% | 30% | 10% | 70% | 50% | 30% | 10% | 0% |
| 壁 | 10% | | | | | | | | | | | | | | | | 0% |
| 床 | 10% | | | | | | | | | | | | | | | | 0% |
| 0.60 | 78 | 72 | 68 | 65 | 78 | 72 | 68 | 65 | 76 | 71 | 68 | 65 | 75 | 70 | 67 | 65 | 64 |
| 0.80 | 84 | 78 | 74 | 71 | 83 | 78 | 74 | 71 | 81 | 77 | 73 | 71 | 80 | 76 | 73 | 70 | 69 |
| 1.00 | 88 | 83 | 79 | 77 | 87 | 83 | 79 | 76 | 86 | 82 | 78 | 76 | 84 | 81 | 78 | 76 | 74 |
| 1.25 | 92 | 87 | 84 | 81 | 91 | 87 | 83 | 81 | 89 | 85 | 83 | 80 | 87 | 84 | 82 | 80 | 78 |
| 1.50 | 94 | 90 | 87 | 84 | 93 | 89 | 86 | 84 | 91 | 88 | 86 | 84 | 89 | 87 | 85 | 83 | 81 |
| 2.00 | 97 | 94 | 92 | 90 | 96 | 94 | 91 | 90 | 95 | 92 | 90 | 89 | 93 | 91 | 89 | 88 | 86 |
| 2.50 | 99 | 97 | 95 | 94 | 98 | 96 | 95 | 93 | 97 | 95 | 93 | 92 | 95 | 93 | 92 | 91 | 89 |
| 3.00 | 101 | 99 | 97 | 96 | 100 | 98 | 97 | 95 | 98 | 97 | 95 | 94 | 96 | 95 | 94 | 93 | 91 |
| 4.00 | 102 | 101 | 100 | 99 | 101 | 100 | 99 | 98 | 99 | 98 | 97 | 97 | 97 | 97 | 96 | 95 | 93 |
| 5.00 | 103 | 102 | 101 | 100 | 102 | 101 | 100 | 99 | 100 | 99 | 98 | 98 | 98 | 97 | 97 | 96 | 94 |
| 7.00 | 103 | 103 | 102 | 102 | 102 | 102 | 101 | 101 | 101 | 100 | 100 | 99 | 99 | 98 | 98 | 98 | 95 |
| 10.00 | 104 | 104 | 103 | 103 | 103 | 103 | 102 | 102 | 101 | 101 | 101 | 100 | 99 | 99 | 99 | 99 | 96 |

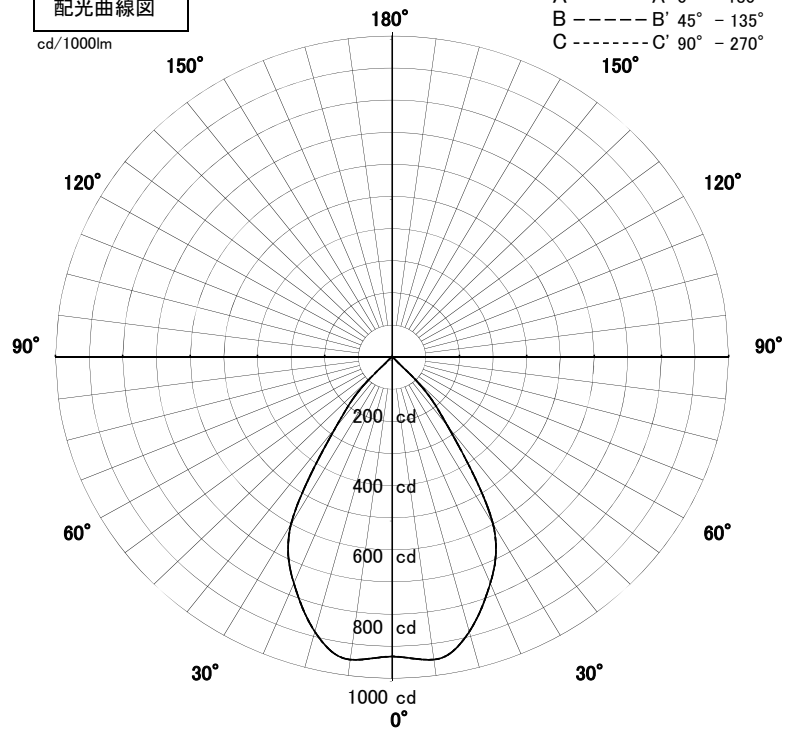
屋内照明器具特性



| | | | |
|----------------|--------------------|----|--------------------|
| 品名 | DD-3320 | | |
| 光源 | LECF/14L-W13GH3085 | | |
| 実効光束 (器具光束) | 1291lm | 効率 | 93.6lm/W (200V) |

配光曲線図

cd/1000lm



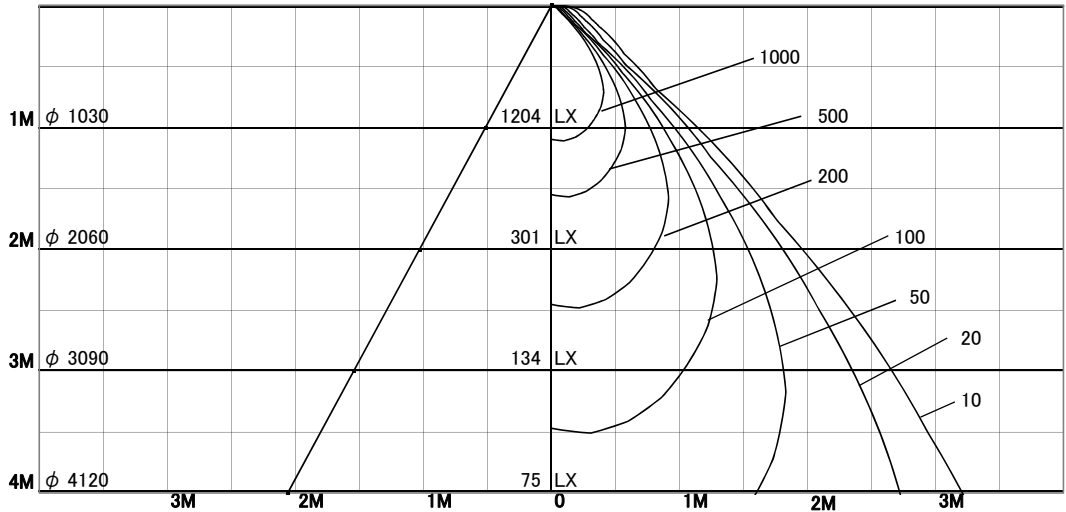
1/2照度角

直射水平面照度

単位:Lx

| | | |
|--------|-------|------|
| 色温度 | 3000K | |
| 演色評価指数 | Ra85 | |
| 保守率 | 良 | 0.8 |
| | 中 | 0.6 |
| | 否 | 0.54 |

| | | |
|--------|------|-----|
| 1/2照度角 | | |
| A-A' | 54.5 | Deg |
| C-C' | 54.5 | Deg |
| 最大取付間隔 | | |
| A-A' | 1.03 | H |
| C-C' | 1.03 | H |



照明率表

| 天井 | 80% | | | | 70% | | | | 50% | | | | 30% | | | | 0% |
|-------|-----|-----|-----|-----|-----|-----|-----|-----|-----|-----|-----|-----|-----|-----|-----|-----|----|
| | 70% | 50% | 30% | 10% | 70% | 50% | 30% | 10% | 70% | 50% | 30% | 10% | 70% | 50% | 30% | 10% | 0% |
| 壁 | 10% | | | | | | | | | | | | | | | | 0% |
| 床 | 10% | | | | | | | | | | | | | | | | 0% |
| 0.60 | 78 | 72 | 68 | 65 | 78 | 72 | 68 | 65 | 76 | 71 | 68 | 65 | 75 | 70 | 67 | 65 | 64 |
| 0.80 | 84 | 78 | 74 | 71 | 83 | 78 | 74 | 71 | 81 | 77 | 73 | 71 | 80 | 76 | 73 | 70 | 69 |
| 1.00 | 88 | 83 | 79 | 77 | 87 | 83 | 79 | 76 | 86 | 82 | 78 | 76 | 84 | 81 | 78 | 76 | 74 |
| 1.25 | 92 | 87 | 84 | 81 | 91 | 87 | 83 | 81 | 89 | 85 | 83 | 80 | 87 | 84 | 82 | 80 | 78 |
| 1.50 | 94 | 90 | 87 | 84 | 93 | 89 | 86 | 84 | 91 | 88 | 86 | 84 | 89 | 87 | 85 | 83 | 81 |
| 2.00 | 97 | 94 | 92 | 90 | 96 | 94 | 91 | 90 | 95 | 92 | 90 | 89 | 93 | 91 | 89 | 88 | 86 |
| 2.50 | 99 | 97 | 95 | 94 | 98 | 96 | 95 | 93 | 97 | 95 | 93 | 92 | 95 | 93 | 92 | 91 | 89 |
| 3.00 | 101 | 99 | 97 | 96 | 100 | 98 | 97 | 95 | 98 | 97 | 95 | 94 | 96 | 95 | 94 | 93 | 91 |
| 4.00 | 102 | 101 | 100 | 99 | 101 | 100 | 99 | 98 | 99 | 98 | 97 | 97 | 97 | 97 | 96 | 95 | 93 |
| 5.00 | 103 | 102 | 101 | 100 | 102 | 101 | 100 | 99 | 100 | 99 | 98 | 98 | 98 | 97 | 97 | 96 | 94 |
| 7.00 | 103 | 103 | 102 | 102 | 102 | 102 | 101 | 101 | 101 | 100 | 100 | 99 | 99 | 98 | 98 | 98 | 95 |
| 10.00 | 104 | 104 | 103 | 103 | 103 | 103 | 102 | 102 | 101 | 101 | 101 | 100 | 99 | 99 | 99 | 99 | 96 |

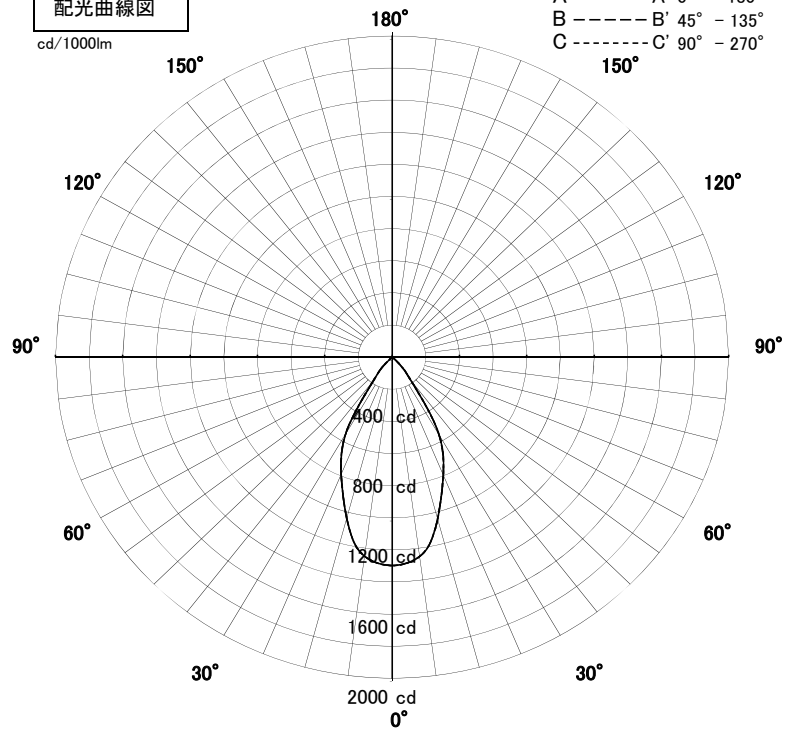
屋内照明器具特性



| | | | |
|----------------|--------------------|----|--------------------|
| 品名 | DD-3320 | | |
| 光源 | LECF/14L-M13GH3085 | | |
| 実効光束 (器具光束) | 1342lm | 効率 | 95.8lm/W (100V) |

配光曲線図

cd/1000lm



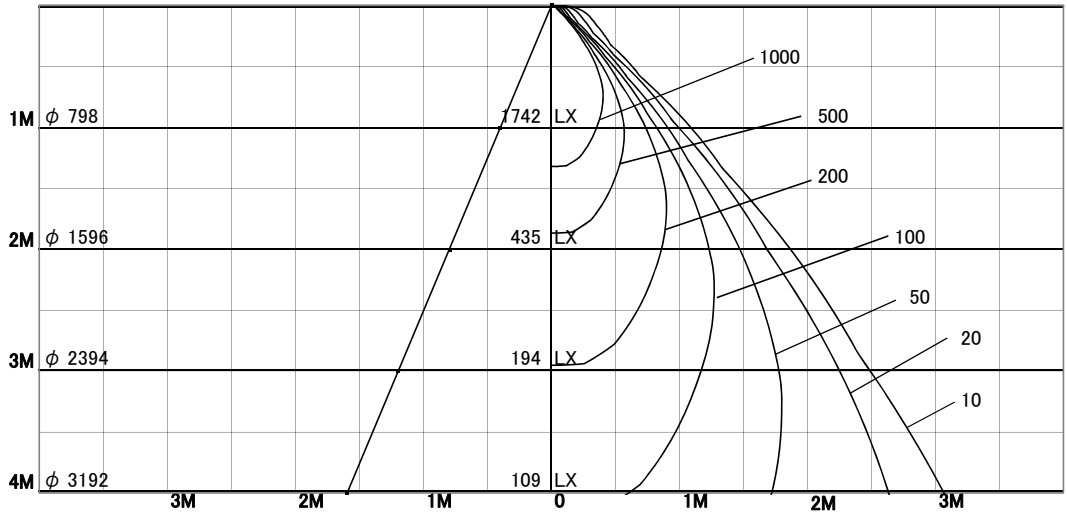
1/2照度角

直射水平面照度

単位: Lx

| | | |
|--------|-------|------|
| 色温度 | 3000K | |
| 演色評価指数 | Ra85 | |
| 保守率 | 良 | 0.8 |
| | 中 | 0.6 |
| | 否 | 0.54 |

| | | |
|--------|------|-----|
| 1/2照度角 | | |
| A-A' | 43.5 | Deg |
| C-C' | 43.5 | Deg |
| 最大取付間隔 | | |
| A-A' | 0.80 | H |
| C-C' | 0.80 | H |



照明率表

| 天井 | 80% | | | | 70% | | | | 50% | | | | 30% | | | | 0% |
|-------|-----|-----|-----|-----|-----|-----|-----|-----|-----|-----|-----|-----|-----|-----|-----|-----|----|
| | 70% | 50% | 30% | 10% | 70% | 50% | 30% | 10% | 70% | 50% | 30% | 10% | 70% | 50% | 30% | 10% | 0% |
| 壁 | 10% | | | | | | | | | | | | | | | | 0% |
| 床 | 10% | | | | | | | | | | | | | | | | 0% |
| 0.60 | 77 | 72 | 68 | 65 | 77 | 71 | 68 | 65 | 75 | 71 | 67 | 65 | 74 | 70 | 67 | 65 | 64 |
| 0.80 | 82 | 77 | 73 | 70 | 81 | 76 | 73 | 70 | 80 | 76 | 72 | 70 | 79 | 75 | 72 | 70 | 69 |
| 1.00 | 86 | 82 | 78 | 76 | 85 | 81 | 78 | 75 | 84 | 80 | 77 | 75 | 82 | 79 | 77 | 75 | 73 |
| 1.25 | 89 | 85 | 82 | 80 | 88 | 85 | 82 | 79 | 87 | 84 | 81 | 79 | 85 | 82 | 80 | 78 | 77 |
| 1.50 | 91 | 88 | 85 | 83 | 90 | 87 | 84 | 82 | 89 | 86 | 84 | 82 | 87 | 85 | 83 | 81 | 80 |
| 2.00 | 95 | 92 | 90 | 88 | 94 | 91 | 89 | 87 | 92 | 90 | 88 | 87 | 90 | 89 | 87 | 86 | 84 |
| 2.50 | 96 | 94 | 93 | 91 | 96 | 94 | 92 | 91 | 94 | 92 | 91 | 90 | 92 | 91 | 90 | 89 | 87 |
| 3.00 | 98 | 96 | 95 | 94 | 97 | 95 | 94 | 93 | 95 | 94 | 93 | 92 | 93 | 92 | 92 | 91 | 89 |
| 4.00 | 99 | 98 | 97 | 96 | 98 | 97 | 96 | 95 | 96 | 95 | 95 | 94 | 94 | 94 | 93 | 93 | 91 |
| 5.00 | 100 | 99 | 98 | 97 | 99 | 98 | 97 | 97 | 97 | 96 | 96 | 95 | 95 | 95 | 94 | 94 | 92 |
| 7.00 | 100 | 100 | 99 | 99 | 99 | 99 | 99 | 98 | 97 | 97 | 97 | 97 | 96 | 96 | 95 | 95 | 93 |
| 10.00 | 101 | 101 | 100 | 100 | 100 | 100 | 99 | 99 | 98 | 98 | 98 | 98 | 96 | 96 | 96 | 96 | 93 |

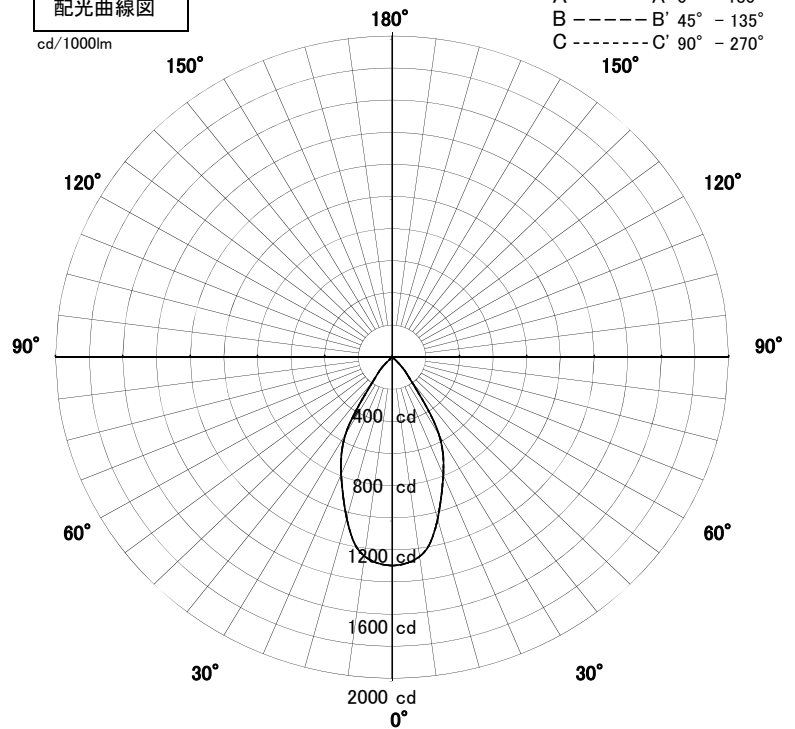
屋内照明器具特性



| | | | |
|----------------|--------------------|----|--------------------|
| 品名 | DD-3320 | | |
| 光源 | LECF/14L-M13GH3085 | | |
| 実効光束 (器具光束) | 1342lm | 効率 | 97.2lm/W (200V) |

配光曲線図

cd/1000lm



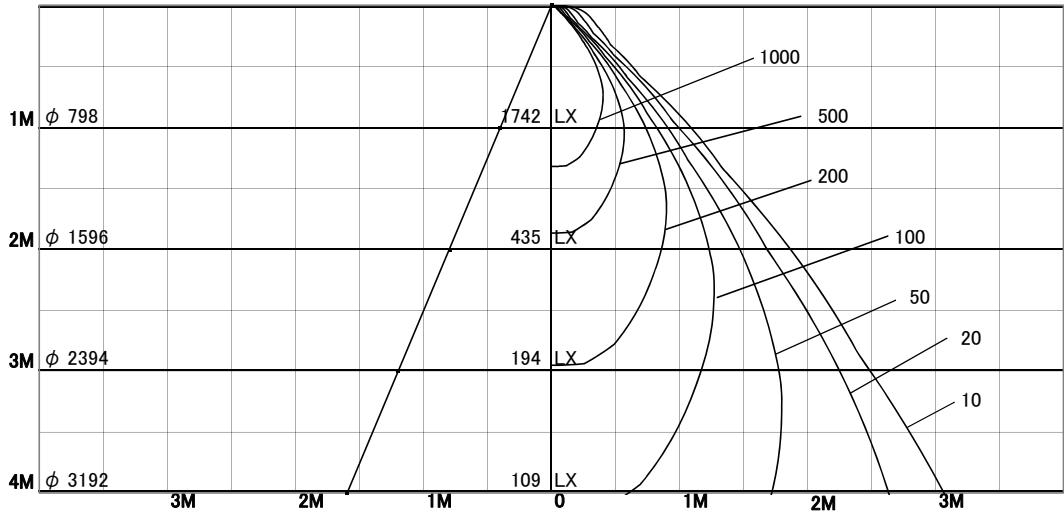
1/2照度角

直射水平面照度

単位:Lx

| | | |
|--------|-------|------|
| 色温度 | 3000K | |
| 演色評価指数 | Ra85 | |
| 保守率 | 良 | 0.8 |
| | 中 | 0.6 |
| | 否 | 0.54 |

| | | |
|--------|------|-----|
| 1/2照度角 | | |
| A-A' | 43.5 | Deg |
| C-C' | 43.5 | Deg |
| 最大取付間隔 | | |
| A-A' | 0.80 | H |
| C-C' | 0.80 | H |



照明率表

| 天井 | 80% | | | | 70% | | | | 50% | | | | 30% | | | | 0% |
|-------|-----|-----|-----|-----|-----|-----|-----|-----|-----|-----|-----|-----|-----|-----|-----|-----|----|
| | 70% | 50% | 30% | 10% | 70% | 50% | 30% | 10% | 70% | 50% | 30% | 10% | 70% | 50% | 30% | 10% | 0% |
| 壁 | 10% | | | | | | | | | | | | | | | | 0% |
| 床 | 10% | | | | | | | | | | | | | | | | 0% |
| 0.60 | 77 | 72 | 68 | 65 | 77 | 71 | 68 | 65 | 75 | 71 | 67 | 65 | 74 | 70 | 67 | 65 | 64 |
| 0.80 | 82 | 77 | 73 | 70 | 81 | 76 | 73 | 70 | 80 | 76 | 72 | 70 | 79 | 75 | 72 | 70 | 69 |
| 1.00 | 86 | 82 | 78 | 76 | 85 | 81 | 78 | 75 | 84 | 80 | 77 | 75 | 82 | 79 | 77 | 75 | 73 |
| 1.25 | 89 | 85 | 82 | 80 | 88 | 85 | 82 | 79 | 87 | 84 | 81 | 79 | 85 | 82 | 80 | 78 | 77 |
| 1.50 | 91 | 88 | 85 | 83 | 90 | 87 | 84 | 82 | 89 | 86 | 84 | 82 | 87 | 85 | 83 | 81 | 80 |
| 2.00 | 95 | 92 | 90 | 88 | 94 | 91 | 89 | 87 | 92 | 90 | 88 | 87 | 90 | 89 | 87 | 86 | 84 |
| 2.50 | 96 | 94 | 93 | 91 | 96 | 94 | 92 | 91 | 94 | 92 | 91 | 90 | 92 | 91 | 90 | 89 | 87 |
| 3.00 | 98 | 96 | 95 | 94 | 97 | 95 | 94 | 93 | 95 | 94 | 93 | 92 | 93 | 92 | 92 | 91 | 89 |
| 4.00 | 99 | 98 | 97 | 96 | 98 | 97 | 96 | 95 | 96 | 95 | 95 | 94 | 94 | 94 | 93 | 93 | 91 |
| 5.00 | 100 | 99 | 98 | 97 | 99 | 98 | 97 | 97 | 97 | 96 | 96 | 95 | 95 | 95 | 94 | 94 | 92 |
| 7.00 | 100 | 100 | 99 | 99 | 99 | 99 | 99 | 98 | 97 | 97 | 97 | 97 | 96 | 96 | 95 | 95 | 93 |
| 10.00 | 101 | 101 | 100 | 100 | 100 | 100 | 99 | 99 | 98 | 98 | 98 | 98 | 96 | 96 | 96 | 96 | 93 |

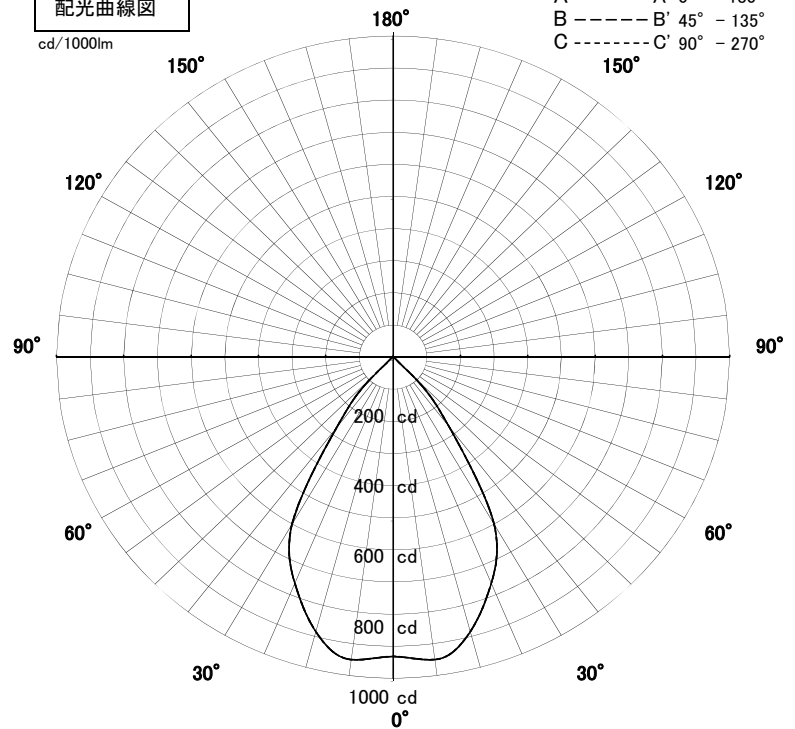
屋内照明器具特性



| | | | |
|----------------|---------------------|----|---------------------|
| 品名 | DD-3320 | | |
| 光源 | LECF/14N-W15GH5085P | | |
| 実効光束 (器具光束) | 1464lm | 効率 | 103.1lm/W (100V) |

配光曲線図

cd/1000lm



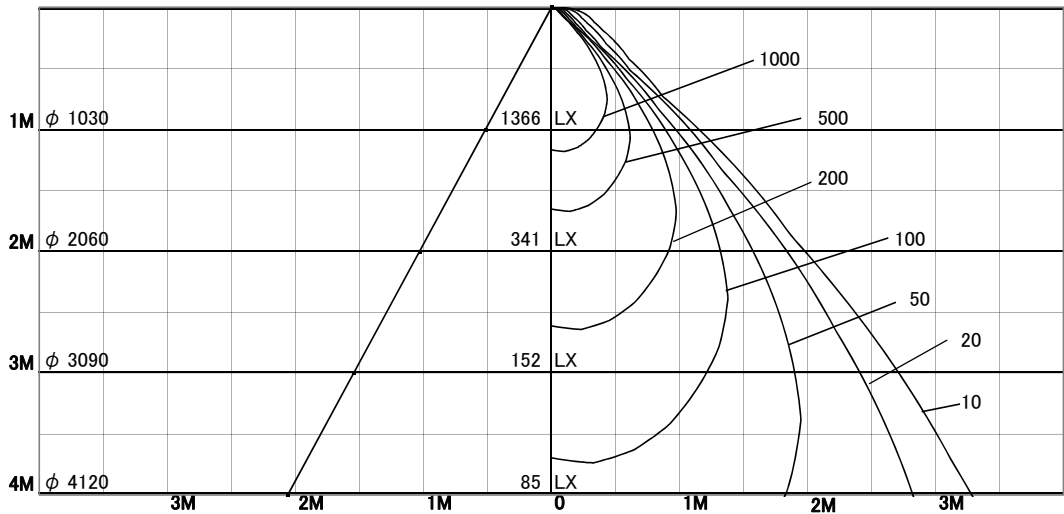
1/2照度角

直射水平面照度

単位: Lx

| | | |
|--------|-------|------|
| 色温度 | 5000K | |
| 演色評価指数 | Ra85 | |
| 保守率 | 良 | 0.8 |
| | 中 | 0.6 |
| | 否 | 0.54 |

| | | |
|--------|------|-----|
| 1/2照度角 | | |
| A-A' | 54.5 | Deg |
| C-C' | 54.5 | Deg |
| 最大取付間隔 | | |
| A-A' | 1.03 | H |
| C-C' | 1.03 | H |



照明率表

| 天井 | 80% | | | | 70% | | | | 50% | | | | 30% | | | | 0% |
|-------|-----|-----|-----|-----|-----|-----|-----|-----|-----|-----|-----|-----|-----|-----|-----|-----|----|
| | 70% | 50% | 30% | 10% | 70% | 50% | 30% | 10% | 70% | 50% | 30% | 10% | 70% | 50% | 30% | 10% | 0% |
| 壁 | 10% | | | | | | | | | | | | | | | | 0% |
| 床 | 10% | | | | | | | | | | | | | | | | 0% |
| 0.60 | 78 | 72 | 68 | 65 | 78 | 72 | 68 | 65 | 76 | 71 | 68 | 65 | 75 | 70 | 67 | 65 | 64 |
| 0.80 | 84 | 78 | 74 | 71 | 83 | 78 | 74 | 71 | 81 | 77 | 73 | 71 | 80 | 76 | 73 | 70 | 69 |
| 1.00 | 88 | 83 | 79 | 77 | 87 | 83 | 79 | 76 | 86 | 82 | 78 | 76 | 84 | 81 | 78 | 76 | 74 |
| 1.25 | 92 | 87 | 84 | 81 | 91 | 87 | 83 | 81 | 89 | 85 | 83 | 80 | 87 | 84 | 82 | 80 | 78 |
| 1.50 | 94 | 90 | 87 | 84 | 93 | 89 | 86 | 84 | 91 | 88 | 86 | 84 | 89 | 87 | 85 | 83 | 81 |
| 2.00 | 97 | 94 | 92 | 90 | 96 | 94 | 91 | 90 | 95 | 92 | 90 | 89 | 93 | 91 | 89 | 88 | 86 |
| 2.50 | 99 | 97 | 95 | 94 | 98 | 96 | 95 | 93 | 97 | 95 | 93 | 92 | 95 | 93 | 92 | 91 | 89 |
| 3.00 | 101 | 99 | 97 | 96 | 100 | 98 | 97 | 95 | 98 | 97 | 95 | 94 | 96 | 95 | 94 | 93 | 91 |
| 4.00 | 102 | 101 | 100 | 99 | 101 | 100 | 99 | 98 | 99 | 98 | 97 | 97 | 97 | 97 | 96 | 95 | 93 |
| 5.00 | 103 | 102 | 101 | 100 | 102 | 101 | 100 | 99 | 100 | 99 | 98 | 98 | 98 | 97 | 97 | 96 | 94 |
| 7.00 | 103 | 103 | 102 | 102 | 102 | 102 | 101 | 101 | 101 | 100 | 100 | 99 | 99 | 98 | 98 | 98 | 95 |
| 10.00 | 104 | 104 | 103 | 103 | 103 | 103 | 102 | 102 | 101 | 101 | 101 | 100 | 99 | 99 | 99 | 99 | 96 |

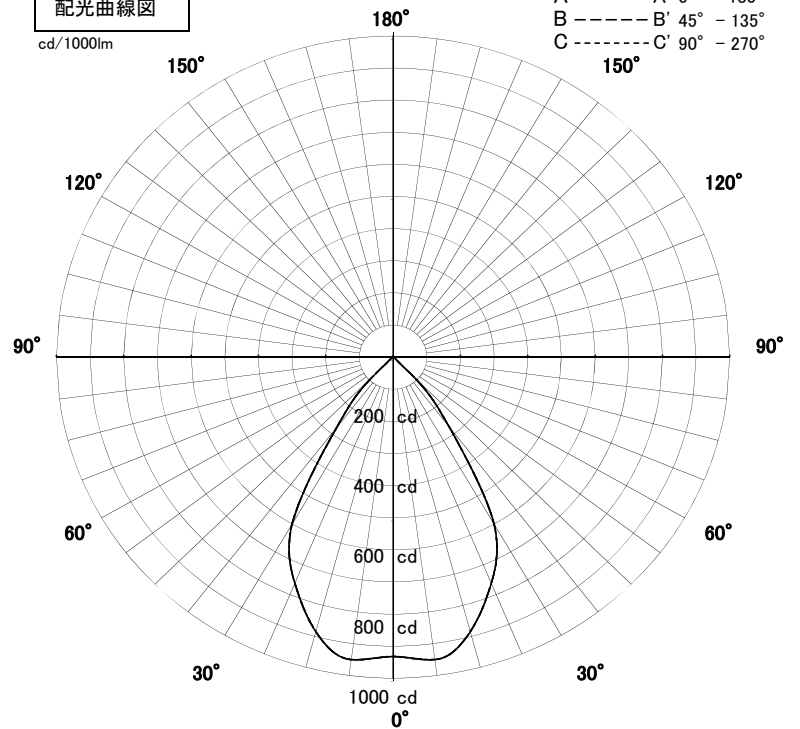
屋内照明器具特性



| | | | |
|----------------|---------------------|----|---------------------|
| 品名 | DD-3320 | | |
| 光源 | LECF/14N-W15GH5085P | | |
| 実効光束 (器具光束) | 1464lm | 効率 | 103.8lm/W (200V) |

配光曲線図

cd/1000lm



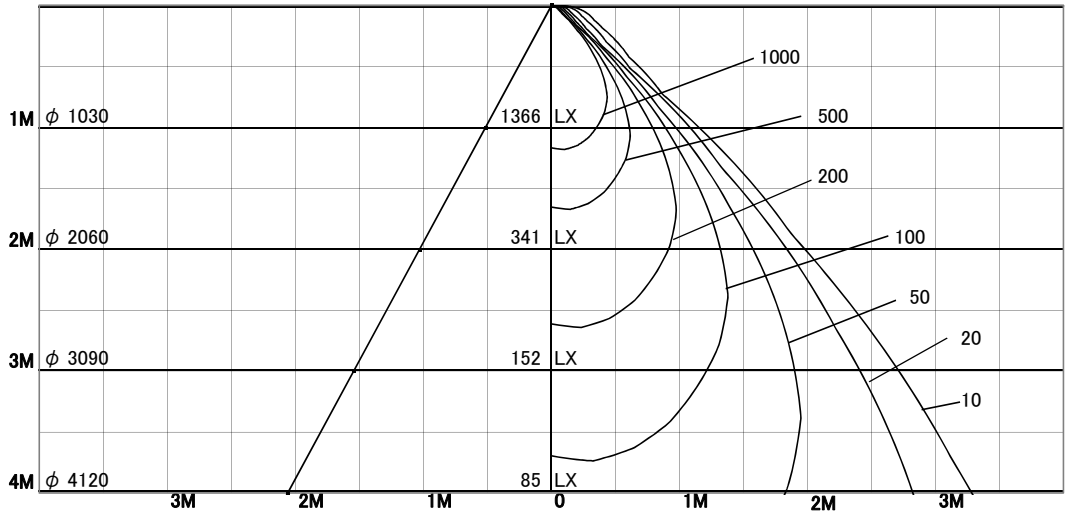
1/2照度角

直射水平面照度

単位:Lx

| | | |
|--------|-------|------|
| 色温度 | 5000K | |
| 演色評価指数 | Ra85 | |
| 保守率 | 良 | 0.8 |
| | 中 | 0.6 |
| | 否 | 0.54 |

| | | |
|--------|------|-----|
| 1/2照度角 | | |
| A-A' | 54.5 | Deg |
| C-C' | 54.5 | Deg |
| 最大取付間隔 | | |
| A-A' | 1.03 | H |
| C-C' | 1.03 | H |



照明率表

| 天井 | 80% | | | | 70% | | | | 50% | | | | 30% | | | | 0% |
|-------|-----|-----|-----|-----|-----|-----|-----|-----|-----|-----|-----|-----|-----|-----|-----|-----|----|
| | 70% | 50% | 30% | 10% | 70% | 50% | 30% | 10% | 70% | 50% | 30% | 10% | 70% | 50% | 30% | 10% | 0% |
| 壁 | 10% | | | | | | | | | | | | | | | | 0% |
| 床 | 10% | | | | | | | | | | | | | | | | 0% |
| 0.60 | 78 | 72 | 68 | 65 | 78 | 72 | 68 | 65 | 76 | 71 | 68 | 65 | 75 | 70 | 67 | 65 | 64 |
| 0.80 | 84 | 78 | 74 | 71 | 83 | 78 | 74 | 71 | 81 | 77 | 73 | 71 | 80 | 76 | 73 | 70 | 69 |
| 1.00 | 88 | 83 | 79 | 77 | 87 | 83 | 79 | 76 | 86 | 82 | 78 | 76 | 84 | 81 | 78 | 76 | 74 |
| 1.25 | 92 | 87 | 84 | 81 | 91 | 87 | 83 | 81 | 89 | 85 | 83 | 80 | 87 | 84 | 82 | 80 | 78 |
| 1.50 | 94 | 90 | 87 | 84 | 93 | 89 | 86 | 84 | 91 | 88 | 86 | 84 | 89 | 87 | 85 | 83 | 81 |
| 2.00 | 97 | 94 | 92 | 90 | 96 | 94 | 91 | 90 | 95 | 92 | 90 | 89 | 93 | 91 | 89 | 88 | 86 |
| 2.50 | 99 | 97 | 95 | 94 | 98 | 96 | 95 | 93 | 97 | 95 | 93 | 92 | 95 | 93 | 92 | 91 | 89 |
| 3.00 | 101 | 99 | 97 | 96 | 100 | 98 | 97 | 95 | 98 | 97 | 95 | 94 | 96 | 95 | 94 | 93 | 91 |
| 4.00 | 102 | 101 | 100 | 99 | 101 | 100 | 99 | 98 | 99 | 98 | 97 | 97 | 97 | 97 | 96 | 95 | 93 |
| 5.00 | 103 | 102 | 101 | 100 | 102 | 101 | 100 | 99 | 100 | 99 | 98 | 98 | 98 | 97 | 97 | 96 | 94 |
| 7.00 | 103 | 103 | 102 | 102 | 102 | 102 | 101 | 101 | 101 | 100 | 100 | 99 | 99 | 98 | 98 | 98 | 95 |
| 10.00 | 104 | 104 | 103 | 103 | 103 | 103 | 102 | 102 | 101 | 101 | 101 | 100 | 99 | 99 | 99 | 99 | 96 |

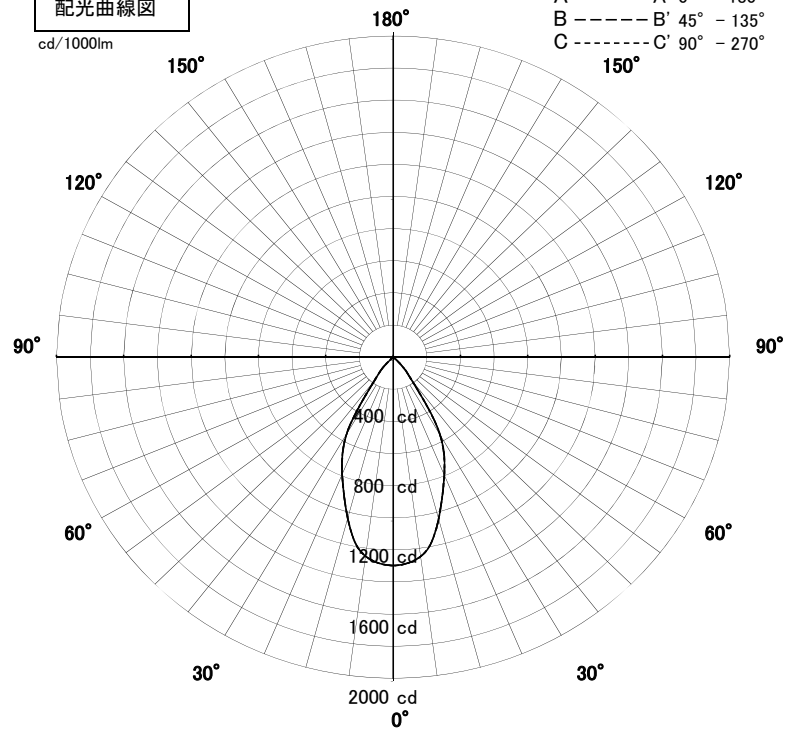
屋内照明器具特性



| | | | |
|----------------|---------------------|----|---------------------|
| 品名 | DD-3320 | | |
| 光源 | LECF/14N-M15GH5085P | | |
| 実効光束 (器具光束) | 1522lm | 効率 | 107.2lm/W (100V) |

配光曲線図

cd/1000lm



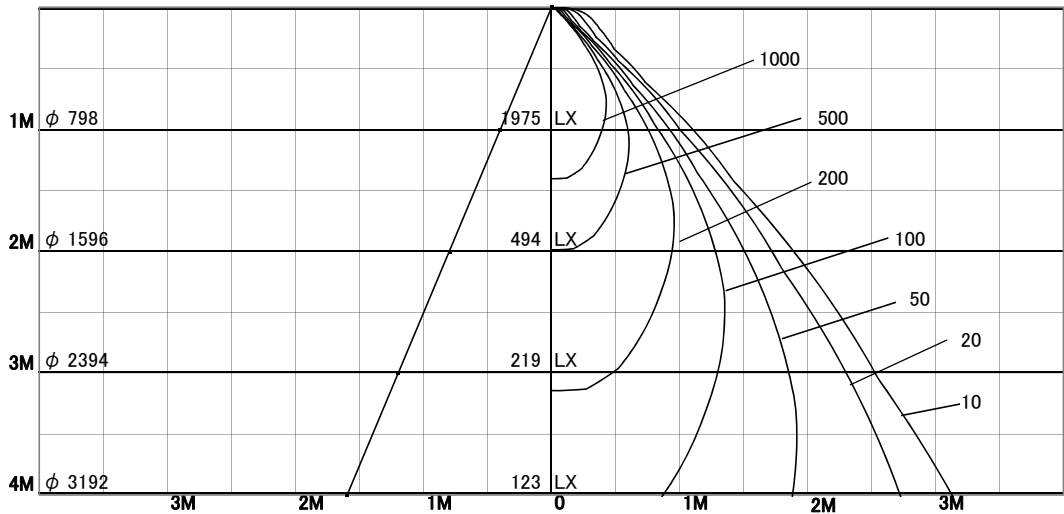
1/2照度角

直射水平面照度

単位: Lx

| | | |
|--------|-------|------|
| 色温度 | 5000K | |
| 演色評価指数 | Ra85 | |
| 保守率 | 良 | 0.8 |
| | 中 | 0.6 |
| | 否 | 0.54 |

| | | |
|--------|------|-----|
| 1/2照度角 | | |
| A-A' | 43.5 | Deg |
| C-C' | 43.5 | Deg |
| 最大取付間隔 | | |
| A-A' | 0.80 | H |
| C-C' | 0.80 | H |



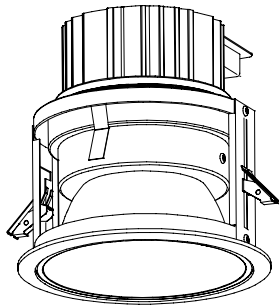
照明率表

| 天井 | 80% | | | | 70% | | | | 50% | | | | 30% | | | | 0% |
|-------|-----|-----|-----|-----|-----|-----|-----|-----|-----|-----|-----|-----|-----|-----|-----|-----|----|
| | 70% | 50% | 30% | 10% | 70% | 50% | 30% | 10% | 70% | 50% | 30% | 10% | 70% | 50% | 30% | 10% | 0% |
| 壁 | 10% | | | | | | | | | | | | | | | | 0% |
| 床 | 10% | | | | | | | | | | | | | | | | 0% |
| 0.60 | 77 | 72 | 68 | 65 | 77 | 71 | 68 | 65 | 75 | 71 | 67 | 65 | 74 | 70 | 67 | 65 | 64 |
| 0.80 | 82 | 77 | 73 | 70 | 81 | 76 | 73 | 70 | 80 | 76 | 72 | 70 | 79 | 75 | 72 | 70 | 69 |
| 1.00 | 86 | 82 | 78 | 76 | 85 | 81 | 78 | 75 | 84 | 80 | 77 | 75 | 82 | 79 | 77 | 75 | 73 |
| 1.25 | 89 | 85 | 82 | 80 | 88 | 85 | 82 | 79 | 87 | 84 | 81 | 79 | 85 | 82 | 80 | 78 | 77 |
| 1.50 | 91 | 88 | 85 | 83 | 91 | 87 | 84 | 82 | 89 | 86 | 84 | 82 | 87 | 85 | 83 | 81 | 80 |
| 2.00 | 95 | 92 | 90 | 88 | 94 | 91 | 89 | 87 | 92 | 90 | 88 | 87 | 90 | 89 | 87 | 86 | 84 |
| 2.50 | 96 | 94 | 93 | 91 | 96 | 94 | 92 | 91 | 94 | 92 | 91 | 90 | 92 | 91 | 90 | 89 | 87 |
| 3.00 | 98 | 96 | 95 | 94 | 97 | 95 | 94 | 93 | 95 | 94 | 93 | 92 | 93 | 92 | 92 | 91 | 89 |
| 4.00 | 99 | 98 | 97 | 96 | 98 | 97 | 96 | 95 | 96 | 95 | 95 | 94 | 94 | 94 | 93 | 93 | 91 |
| 5.00 | 100 | 99 | 98 | 97 | 99 | 98 | 97 | 97 | 97 | 96 | 96 | 95 | 95 | 95 | 94 | 94 | 92 |
| 7.00 | 100 | 100 | 99 | 99 | 99 | 99 | 99 | 98 | 97 | 97 | 97 | 97 | 96 | 96 | 95 | 95 | 93 |
| 10.00 | 101 | 101 | 100 | 100 | 100 | 100 | 99 | 99 | 98 | 98 | 98 | 98 | 96 | 96 | 96 | 96 | 93 |

屋内照明器具特性

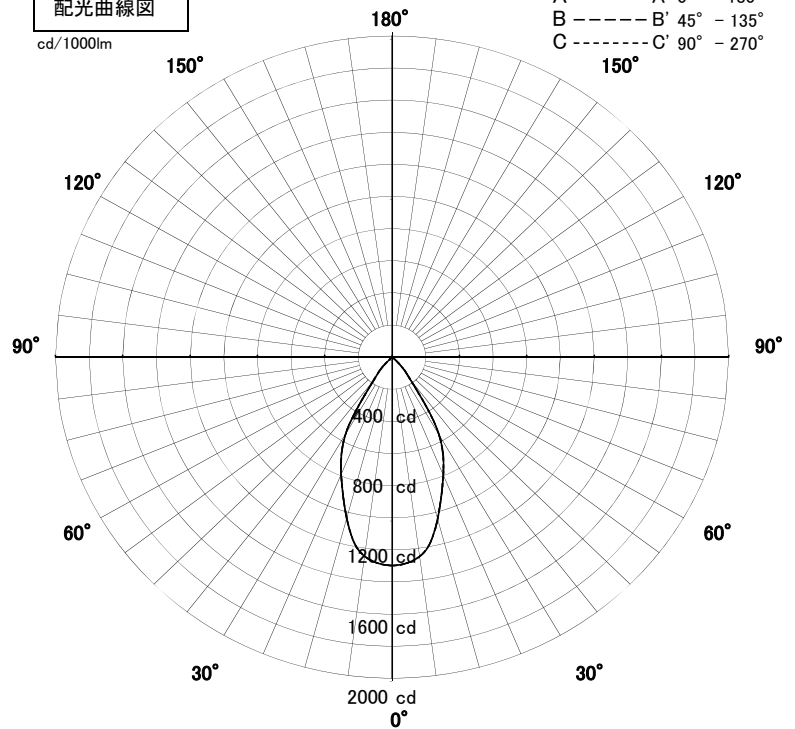


| | | | |
|----------------|---------------------|----|---------------------|
| 品名 | DD-3320 | | |
| 光源 | LECF/14N-M15GH5085P | | |
| 実効光束 (器具光束) | 1522lm | 効率 | 107.9lm/W (200V) |



配光曲線図

cd/1000lm



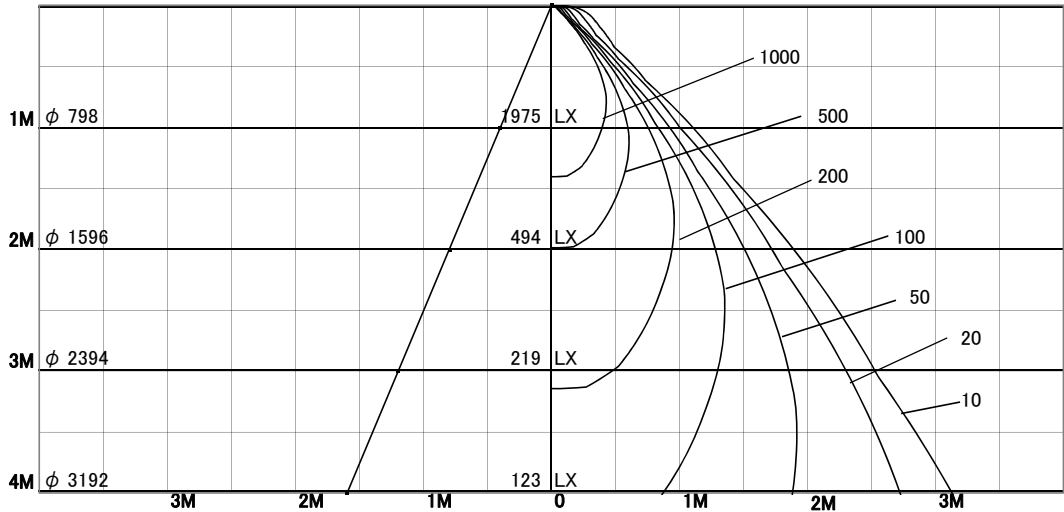
1/2照度角

直射水平面照度

単位: Lx

| | | |
|--------|-------|------|
| 色温度 | 5000K | |
| 演色評価指数 | Ra85 | |
| 保守率 | 良 | 0.8 |
| | 中 | 0.6 |
| | 否 | 0.54 |

| | | |
|--------|------|-----|
| 1/2照度角 | | |
| A-A' | 43.5 | Deg |
| C-C' | 43.5 | Deg |
| 最大取付間隔 | | |
| A-A' | 0.80 | H |
| C-C' | 0.80 | H |



照明率表

| 天井 | 80% | | | | 70% | | | | 50% | | | | 30% | | | | 0% |
|-------|-----|-----|-----|-----|-----|-----|-----|-----|-----|-----|-----|-----|-----|-----|-----|-----|----|
| | 70% | 50% | 30% | 10% | 70% | 50% | 30% | 10% | 70% | 50% | 30% | 10% | 70% | 50% | 30% | 10% | 0% |
| 床 | 10% | | | | | | | | | | | | | | | | 0% |
| 0.60 | 77 | 72 | 68 | 65 | 77 | 71 | 68 | 65 | 75 | 71 | 67 | 65 | 74 | 70 | 67 | 65 | 64 |
| 0.80 | 82 | 77 | 73 | 70 | 81 | 76 | 73 | 70 | 80 | 76 | 72 | 70 | 79 | 75 | 72 | 70 | 69 |
| 1.00 | 86 | 82 | 78 | 76 | 85 | 81 | 78 | 75 | 84 | 80 | 77 | 75 | 82 | 79 | 77 | 75 | 73 |
| 1.25 | 89 | 85 | 82 | 80 | 88 | 85 | 82 | 79 | 87 | 84 | 81 | 79 | 85 | 82 | 80 | 78 | 77 |
| 1.50 | 91 | 88 | 85 | 83 | 91 | 87 | 84 | 82 | 89 | 86 | 84 | 82 | 87 | 85 | 83 | 81 | 80 |
| 2.00 | 95 | 92 | 90 | 88 | 94 | 91 | 89 | 87 | 92 | 90 | 88 | 87 | 90 | 89 | 87 | 86 | 84 |
| 2.50 | 96 | 94 | 93 | 91 | 96 | 94 | 92 | 91 | 94 | 92 | 91 | 90 | 92 | 91 | 90 | 89 | 87 |
| 3.00 | 98 | 96 | 95 | 94 | 97 | 95 | 94 | 93 | 95 | 94 | 93 | 92 | 93 | 92 | 92 | 91 | 89 |
| 4.00 | 99 | 98 | 97 | 96 | 98 | 97 | 96 | 95 | 96 | 95 | 95 | 94 | 94 | 94 | 93 | 93 | 91 |
| 5.00 | 100 | 99 | 98 | 97 | 99 | 98 | 97 | 97 | 97 | 96 | 96 | 95 | 95 | 95 | 94 | 94 | 92 |
| 7.00 | 100 | 100 | 99 | 99 | 99 | 99 | 99 | 98 | 97 | 97 | 97 | 97 | 96 | 96 | 95 | 95 | 93 |
| 10.00 | 101 | 101 | 100 | 100 | 100 | 100 | 99 | 99 | 98 | 98 | 98 | 98 | 96 | 96 | 96 | 96 | 93 |

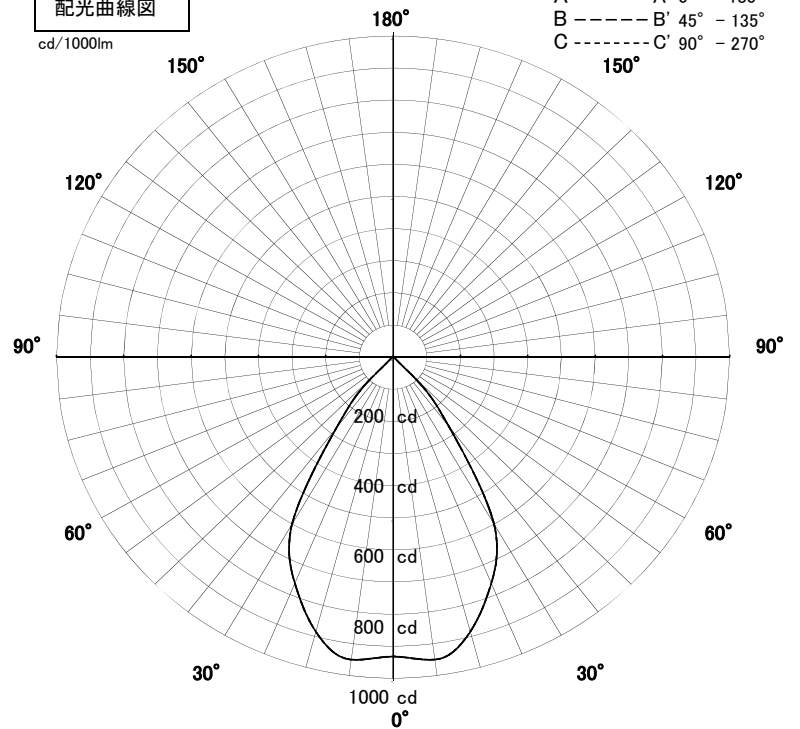
屋内照明器具特性



| | | | |
|----------------|---------------------|----|--------------------|
| 品名 | DD-3320 | | |
| 光源 | LECF/14W-W14GH4085P | | |
| 実効光束 (器具光束) | 1388lm | 効率 | 97.8lm/W (100V) |

配光曲線図

cd/1000lm



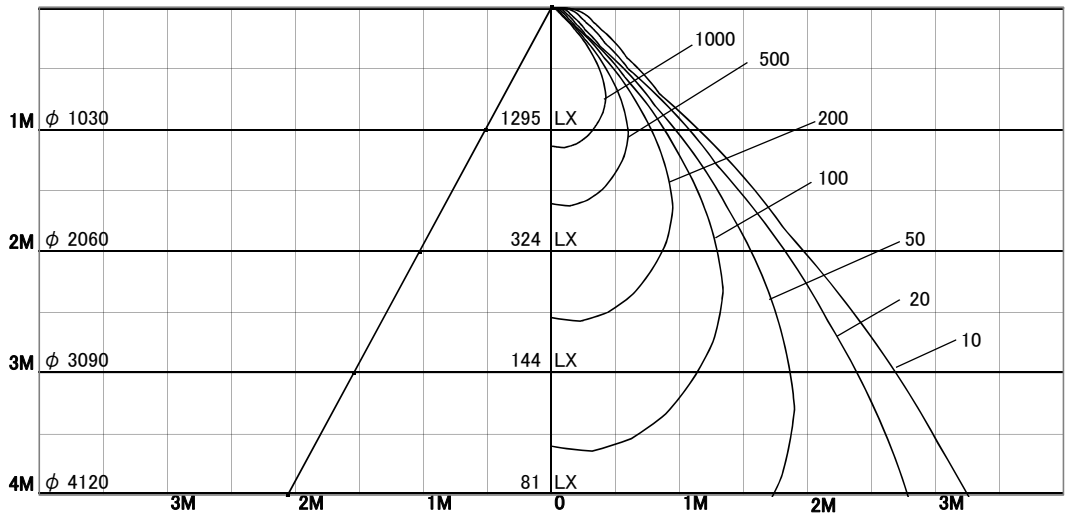
1/2照度角

直射水平面照度

単位:Lx

| | | |
|--------|-------|------|
| 色温度 | 4000K | |
| 演色評価指数 | Ra85 | |
| 保守率 | 良 | 0.8 |
| | 中 | 0.6 |
| | 否 | 0.54 |

| | | |
|--------|------|-----|
| 1/2照度角 | | |
| A-A' | 54.5 | Deg |
| C-C' | 54.5 | Deg |
| 最大取付間隔 | | |
| A-A' | 1.03 | H |
| C-C' | 1.03 | H |



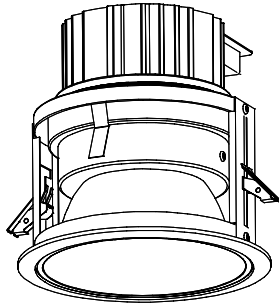
照明率表

| 天井 | 80% | | | | 70% | | | | 50% | | | | 30% | | | | 0% |
|-------|-----|-----|-----|-----|-----|-----|-----|-----|-----|-----|-----|-----|-----|-----|-----|-----|----|
| | 70% | 50% | 30% | 10% | 70% | 50% | 30% | 10% | 70% | 50% | 30% | 10% | 70% | 50% | 30% | 10% | 0% |
| 壁 | 10% | | | | | | | | | | | | | | | | 0% |
| 床 | 10% | | | | | | | | | | | | | | | | 0% |
| 0.60 | 78 | 72 | 68 | 65 | 78 | 72 | 68 | 65 | 76 | 71 | 68 | 65 | 75 | 70 | 67 | 65 | 64 |
| 0.80 | 84 | 78 | 74 | 71 | 83 | 78 | 74 | 71 | 81 | 77 | 73 | 71 | 80 | 76 | 73 | 70 | 69 |
| 1.00 | 88 | 83 | 79 | 77 | 87 | 83 | 79 | 76 | 86 | 82 | 78 | 76 | 84 | 81 | 78 | 76 | 74 |
| 1.25 | 92 | 87 | 84 | 81 | 91 | 87 | 83 | 81 | 89 | 85 | 83 | 80 | 87 | 84 | 82 | 80 | 78 |
| 1.50 | 94 | 90 | 87 | 84 | 93 | 89 | 86 | 84 | 91 | 88 | 86 | 84 | 89 | 87 | 85 | 83 | 81 |
| 2.00 | 97 | 94 | 92 | 90 | 96 | 94 | 91 | 90 | 95 | 92 | 90 | 89 | 93 | 91 | 89 | 88 | 86 |
| 2.50 | 99 | 97 | 95 | 94 | 98 | 96 | 95 | 93 | 97 | 95 | 93 | 92 | 95 | 93 | 92 | 91 | 89 |
| 3.00 | 101 | 99 | 97 | 96 | 100 | 98 | 97 | 95 | 98 | 97 | 95 | 94 | 96 | 95 | 94 | 93 | 91 |
| 4.00 | 102 | 101 | 100 | 99 | 101 | 100 | 99 | 98 | 99 | 98 | 97 | 97 | 97 | 97 | 96 | 95 | 93 |
| 5.00 | 103 | 102 | 101 | 100 | 102 | 101 | 100 | 99 | 100 | 99 | 98 | 98 | 98 | 97 | 97 | 96 | 94 |
| 7.00 | 103 | 103 | 102 | 102 | 102 | 102 | 101 | 101 | 101 | 100 | 100 | 99 | 99 | 98 | 98 | 98 | 95 |
| 10.00 | 104 | 104 | 103 | 103 | 103 | 103 | 102 | 102 | 101 | 101 | 101 | 100 | 99 | 99 | 99 | 99 | 96 |

屋内照明器具特性

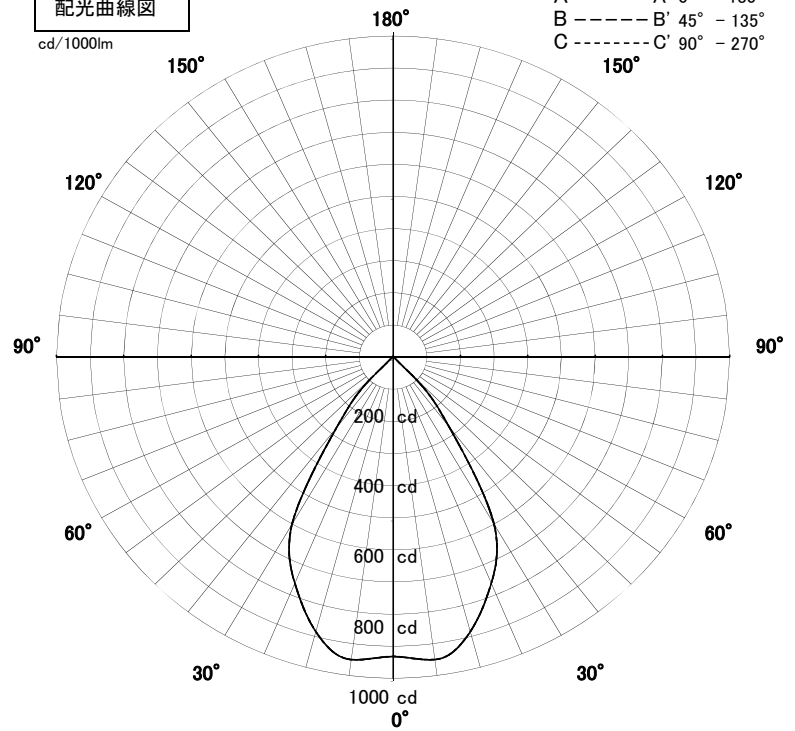


| | | | |
|----------------|---------------------|----|--------------------|
| 品名 | DD-3320 | | |
| 光源 | LECF/14W-W14GH4085P | | |
| 実効光束 (器具光束) | 1388lm | 効率 | 98.5lm/W (200V) |



配光曲線図

cd/1000lm



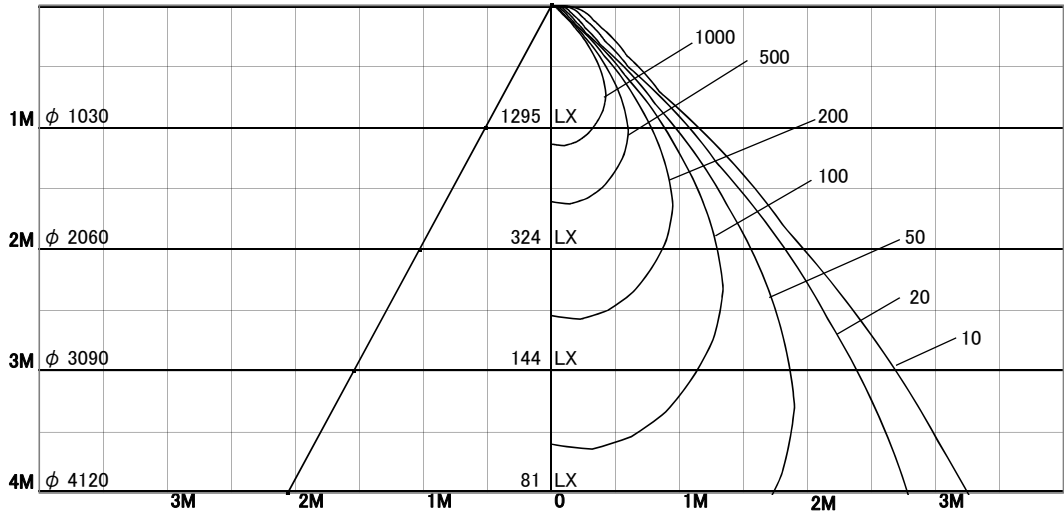
1/2照度角

直射水平面照度

単位: Lx

| | | |
|--------|-------|------|
| 色温度 | 4000K | |
| 演色評価指数 | Ra85 | |
| 保守率 | 良 | 0.8 |
| | 中 | 0.6 |
| | 否 | 0.54 |

| | | |
|--------|------|-----|
| 1/2照度角 | | |
| A-A' | 54.5 | Deg |
| C-C' | 54.5 | Deg |
| 最大取付間隔 | | |
| A-A' | 1.03 | H |
| C-C' | 1.03 | H |



照明率表

| 天井 | 80% | | | | 70% | | | | 50% | | | | 30% | | | | 0% |
|-------|-----|-----|-----|-----|-----|-----|-----|-----|-----|-----|-----|-----|-----|-----|-----|-----|----|
| | 70% | 50% | 30% | 10% | 70% | 50% | 30% | 10% | 70% | 50% | 30% | 10% | 70% | 50% | 30% | 10% | 0% |
| 壁 | 10% | | | | | | | | | | | | | | | | 0% |
| 床 | 10% | | | | | | | | | | | | | | | | 0% |
| 0.60 | 78 | 72 | 68 | 65 | 78 | 72 | 68 | 65 | 76 | 71 | 68 | 65 | 75 | 70 | 67 | 65 | 64 |
| 0.80 | 84 | 78 | 74 | 71 | 83 | 78 | 74 | 71 | 81 | 77 | 73 | 71 | 80 | 76 | 73 | 70 | 69 |
| 1.00 | 88 | 83 | 79 | 77 | 87 | 83 | 79 | 76 | 86 | 82 | 78 | 76 | 84 | 81 | 78 | 76 | 74 |
| 1.25 | 92 | 87 | 84 | 81 | 91 | 87 | 83 | 81 | 89 | 85 | 83 | 80 | 87 | 84 | 82 | 80 | 78 |
| 1.50 | 94 | 90 | 87 | 84 | 93 | 89 | 86 | 84 | 91 | 88 | 86 | 84 | 89 | 87 | 85 | 83 | 81 |
| 2.00 | 97 | 94 | 92 | 90 | 96 | 94 | 91 | 90 | 95 | 92 | 90 | 89 | 93 | 91 | 89 | 88 | 86 |
| 2.50 | 99 | 97 | 95 | 94 | 98 | 96 | 95 | 93 | 97 | 95 | 93 | 92 | 95 | 93 | 92 | 91 | 89 |
| 3.00 | 101 | 99 | 97 | 96 | 100 | 98 | 97 | 95 | 98 | 97 | 95 | 94 | 96 | 95 | 94 | 93 | 91 |
| 4.00 | 102 | 101 | 100 | 99 | 101 | 100 | 99 | 98 | 99 | 98 | 97 | 97 | 97 | 97 | 96 | 95 | 93 |
| 5.00 | 103 | 102 | 101 | 100 | 102 | 101 | 100 | 99 | 100 | 99 | 98 | 98 | 98 | 97 | 97 | 96 | 94 |
| 7.00 | 103 | 103 | 102 | 102 | 102 | 102 | 101 | 101 | 101 | 100 | 100 | 99 | 99 | 98 | 98 | 98 | 95 |
| 10.00 | 104 | 104 | 103 | 103 | 103 | 103 | 102 | 102 | 101 | 101 | 101 | 100 | 99 | 99 | 99 | 99 | 96 |

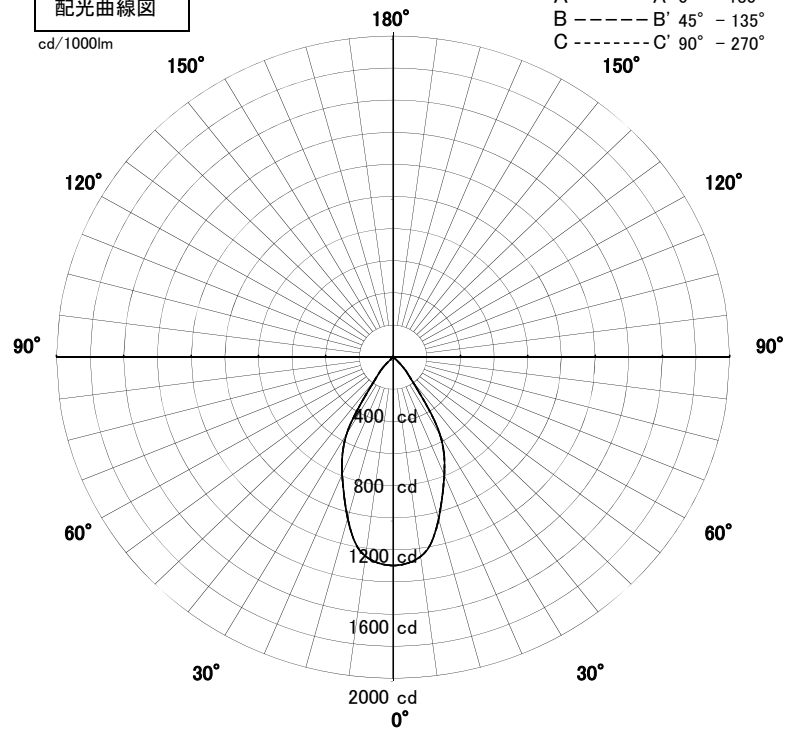
屋内照明器具特性



| | | | |
|----------------|---------------------|----|---------------------|
| 品名 | DD-3320 | | |
| 光源 | LECF/14W-M14GH4085P | | |
| 実効光束 (器具光束) | 1443lm | 効率 | 101.6lm/W (100V) |

配光曲線図

cd/1000lm



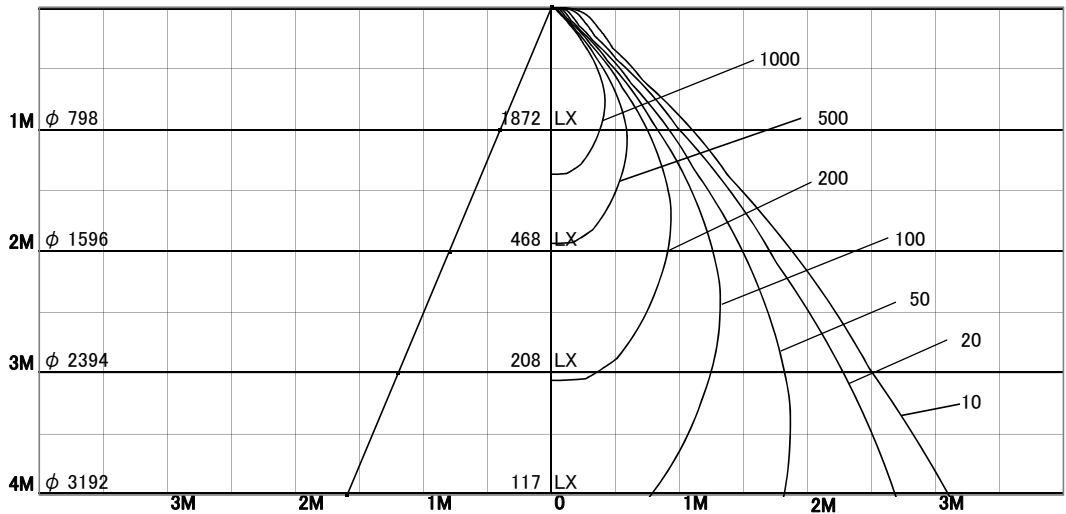
1/2照度角

直射水平面照度

単位:Lx

| | | |
|--------|-------|------|
| 色温度 | 4000K | |
| 演色評価指数 | Ra85 | |
| 保守率 | 良 | 0.8 |
| | 中 | 0.6 |
| | 否 | 0.54 |

| | | |
|--------|------|-----|
| 1/2照度角 | | |
| A-A' | 43.5 | Deg |
| C-C' | 43.5 | Deg |
| 最大取付間隔 | | |
| A-A' | 0.80 | H |
| C-C' | 0.80 | H |



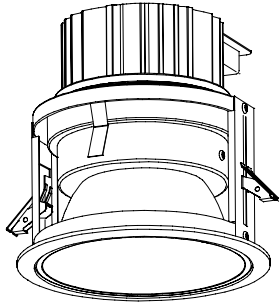
照明率表

| 天井 | 80% | | | | 70% | | | | 50% | | | | 30% | | | | 0% |
|-------|-----|-----|-----|-----|-----|-----|-----|-----|-----|-----|-----|-----|-----|-----|-----|-----|----|
| | 70% | 50% | 30% | 10% | 70% | 50% | 30% | 10% | 70% | 50% | 30% | 10% | 70% | 50% | 30% | 10% | |
| 壁 | 10% | | | | | | | | | | | | | | | | |
| 床 | 10% | | | | | | | | | | | | | | | | |
| 0.60 | 77 | 72 | 68 | 65 | 77 | 71 | 68 | 65 | 75 | 71 | 67 | 65 | 74 | 70 | 67 | 65 | 64 |
| 0.80 | 82 | 77 | 73 | 70 | 81 | 76 | 73 | 70 | 80 | 76 | 72 | 70 | 79 | 75 | 72 | 70 | 69 |
| 1.00 | 86 | 82 | 78 | 76 | 85 | 81 | 78 | 75 | 84 | 80 | 77 | 75 | 82 | 79 | 77 | 75 | 73 |
| 1.25 | 89 | 85 | 82 | 80 | 88 | 85 | 82 | 79 | 87 | 84 | 81 | 79 | 85 | 82 | 80 | 78 | 77 |
| 1.50 | 91 | 88 | 85 | 83 | 91 | 87 | 84 | 82 | 89 | 86 | 84 | 82 | 87 | 85 | 83 | 81 | 80 |
| 2.00 | 95 | 92 | 90 | 88 | 94 | 91 | 89 | 87 | 92 | 90 | 88 | 87 | 90 | 89 | 87 | 86 | 84 |
| 2.50 | 96 | 94 | 93 | 91 | 96 | 94 | 92 | 91 | 94 | 92 | 91 | 90 | 92 | 91 | 90 | 89 | 87 |
| 3.00 | 98 | 96 | 95 | 94 | 97 | 95 | 94 | 93 | 95 | 94 | 93 | 92 | 93 | 92 | 92 | 91 | 89 |
| 4.00 | 99 | 98 | 97 | 96 | 98 | 97 | 96 | 95 | 96 | 95 | 95 | 94 | 94 | 94 | 93 | 93 | 91 |
| 5.00 | 100 | 99 | 98 | 97 | 99 | 98 | 97 | 97 | 97 | 96 | 96 | 95 | 95 | 95 | 94 | 94 | 92 |
| 7.00 | 100 | 100 | 99 | 99 | 99 | 99 | 99 | 98 | 97 | 97 | 97 | 97 | 96 | 96 | 95 | 95 | 93 |
| 10.00 | 101 | 101 | 100 | 100 | 100 | 100 | 99 | 99 | 98 | 98 | 98 | 98 | 96 | 96 | 96 | 96 | 93 |

屋内照明器具特性

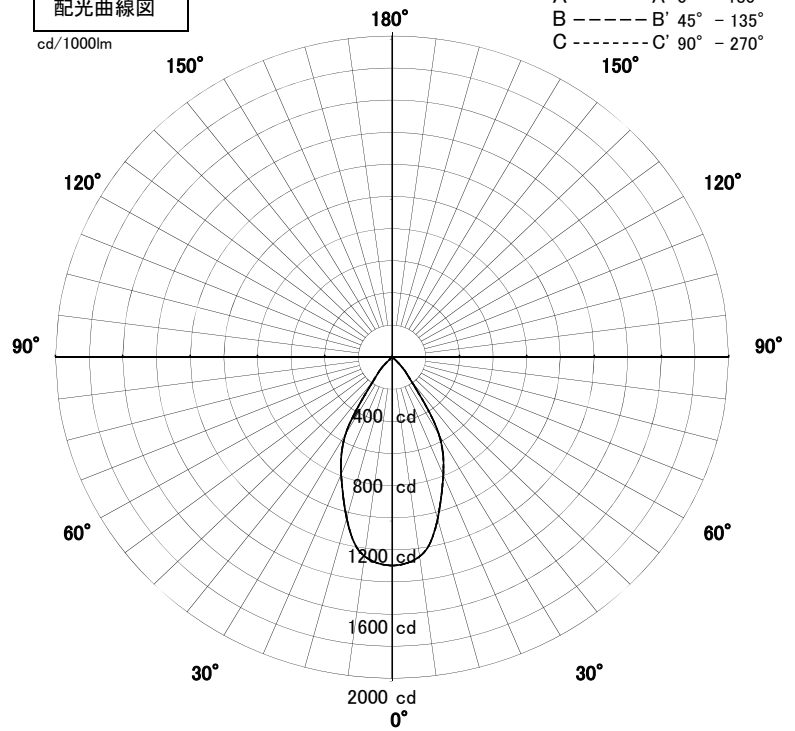


| | | | |
|----------------|---------------------|----|---------------------|
| 品名 | DD-3320 | | |
| 光源 | LECF/14W-M14GH4085P | | |
| 実効光束 (器具光束) | 1443lm | 効率 | 102.3lm/W (200V) |



配光曲線図

cd/1000lm



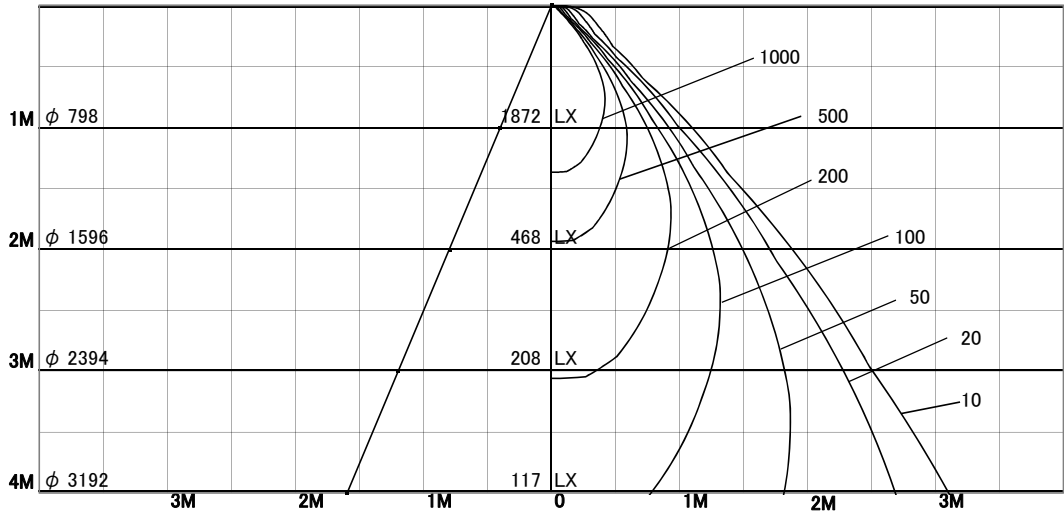
1/2照度角

直射水平面照度

単位: Lx

| | | |
|--------|-------|------|
| 色温度 | 4000K | |
| 演色評価指数 | Ra85 | |
| 保守率 | 良 | 0.8 |
| | 中 | 0.6 |
| | 否 | 0.54 |

| | | |
|--------|------|-----|
| 1/2照度角 | | |
| A-A' | 43.5 | Deg |
| C-C' | 43.5 | Deg |
| 最大取付間隔 | | |
| A-A' | 0.80 | H |
| C-C' | 0.80 | H |



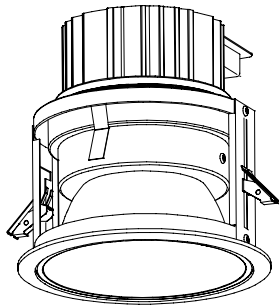
照明率表

| 天井 | 80% | | | | 70% | | | | 50% | | | | 30% | | | | 0% |
|-------|-----|-----|-----|-----|-----|-----|-----|-----|-----|-----|-----|-----|-----|-----|-----|-----|----|
| | 70% | 50% | 30% | 10% | 70% | 50% | 30% | 10% | 70% | 50% | 30% | 10% | 70% | 50% | 30% | 10% | 0% |
| 壁 | 10% | | | | | | | | | | | | | | | | 0% |
| 床 | 10% | | | | | | | | | | | | | | | | 0% |
| 0.60 | 77 | 72 | 68 | 65 | 77 | 71 | 68 | 65 | 75 | 71 | 67 | 65 | 74 | 70 | 67 | 65 | 64 |
| 0.80 | 82 | 77 | 73 | 70 | 81 | 76 | 73 | 70 | 80 | 76 | 72 | 70 | 79 | 75 | 72 | 70 | 69 |
| 1.00 | 86 | 82 | 78 | 76 | 85 | 81 | 78 | 75 | 84 | 80 | 77 | 75 | 82 | 79 | 77 | 75 | 73 |
| 1.25 | 89 | 85 | 82 | 80 | 88 | 85 | 82 | 79 | 87 | 84 | 81 | 79 | 85 | 82 | 80 | 78 | 77 |
| 1.50 | 91 | 88 | 85 | 83 | 91 | 87 | 84 | 82 | 89 | 86 | 84 | 82 | 87 | 85 | 83 | 81 | 80 |
| 2.00 | 95 | 92 | 90 | 88 | 94 | 91 | 89 | 87 | 92 | 90 | 88 | 87 | 90 | 89 | 87 | 86 | 84 |
| 2.50 | 96 | 94 | 93 | 91 | 96 | 94 | 92 | 91 | 94 | 92 | 91 | 90 | 92 | 91 | 90 | 89 | 87 |
| 3.00 | 98 | 96 | 95 | 94 | 97 | 95 | 94 | 93 | 95 | 94 | 93 | 92 | 93 | 92 | 92 | 91 | 89 |
| 4.00 | 99 | 98 | 97 | 96 | 98 | 97 | 96 | 95 | 96 | 95 | 95 | 94 | 94 | 94 | 93 | 93 | 91 |
| 5.00 | 100 | 99 | 98 | 97 | 99 | 98 | 97 | 97 | 97 | 96 | 96 | 95 | 95 | 95 | 94 | 94 | 92 |
| 7.00 | 100 | 100 | 99 | 99 | 99 | 99 | 99 | 98 | 97 | 97 | 97 | 97 | 96 | 96 | 95 | 95 | 93 |
| 10.00 | 101 | 101 | 100 | 100 | 100 | 100 | 99 | 99 | 98 | 98 | 98 | 98 | 96 | 96 | 96 | 96 | 93 |

屋内照明器具特性

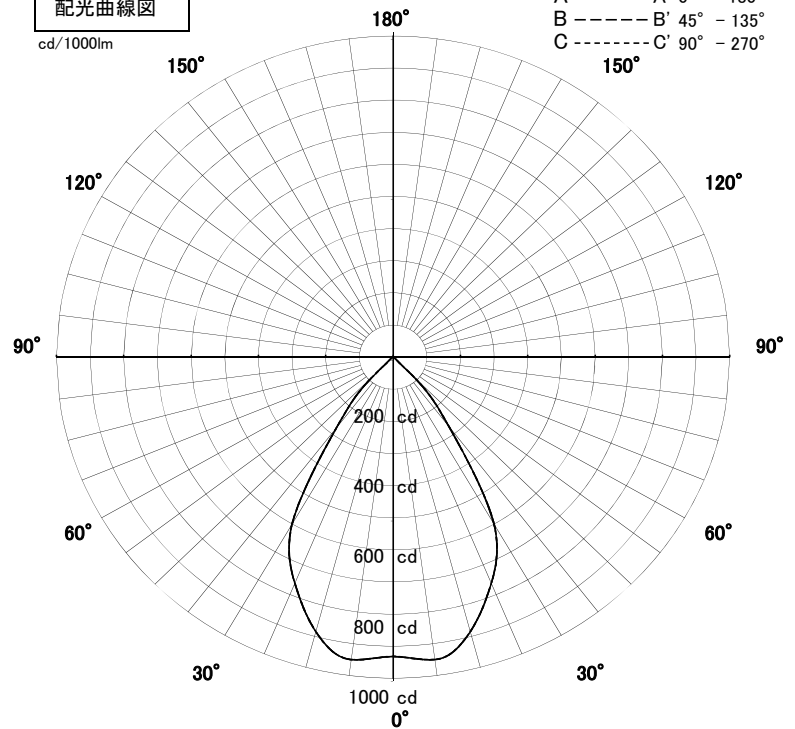


| | | | |
|----------------|---------------------|----|--------------------|
| 品名 | DD-3320 | | |
| 光源 | LECF/14L-W13GH3085P | | |
| 実効光束 (器具光束) | 1291lm | 効率 | 90.9lm/W (100V) |



配光曲線図

cd/1000lm



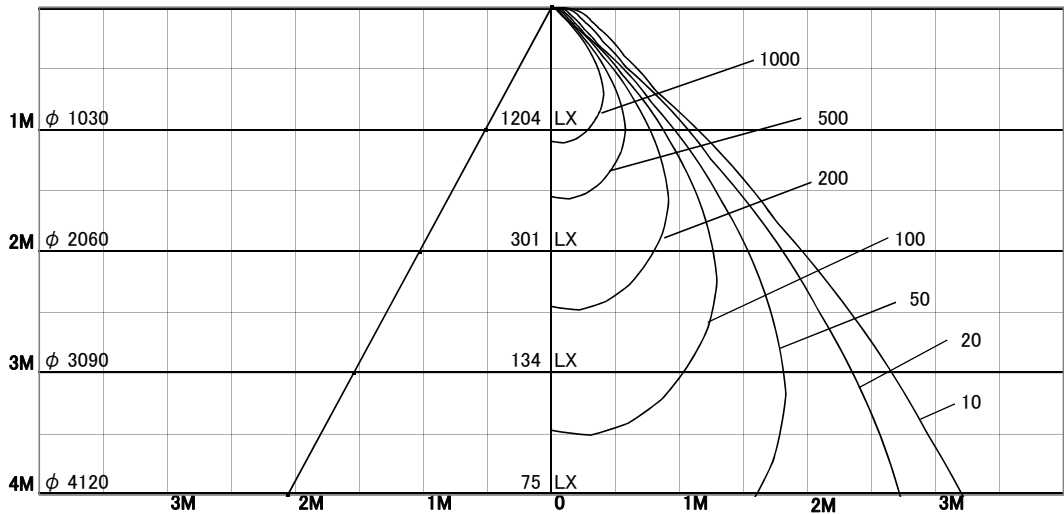
1/2照度角

直射水平面照度

単位: Lx

| | | |
|--------|-------|------|
| 色温度 | 3000K | |
| 演色評価指数 | Ra85 | |
| 保守率 | 良 | 0.8 |
| | 中 | 0.6 |
| | 否 | 0.54 |

| | | |
|--------|------|-----|
| 1/2照度角 | | |
| A-A' | 54.5 | Deg |
| C-C' | 54.5 | Deg |
| 最大取付間隔 | | |
| A-A' | 1.03 | H |
| C-C' | 1.03 | H |



照明率表

| 天井 | 80% | | | | 70% | | | | 50% | | | | 30% | | | | 0% |
|-------|-----|-----|-----|-----|-----|-----|-----|-----|-----|-----|-----|-----|-----|-----|-----|-----|----|
| | 70% | 50% | 30% | 10% | 70% | 50% | 30% | 10% | 70% | 50% | 30% | 10% | 70% | 50% | 30% | 10% | 0% |
| 壁 | 10% | | | | | | | | | | | | | | | | 0% |
| 床 | 10% | | | | | | | | | | | | | | | | 0% |
| 0.60 | 78 | 72 | 68 | 65 | 78 | 72 | 68 | 65 | 76 | 71 | 68 | 65 | 75 | 70 | 67 | 65 | 64 |
| 0.80 | 84 | 78 | 74 | 71 | 83 | 78 | 74 | 71 | 81 | 77 | 73 | 71 | 80 | 76 | 73 | 70 | 69 |
| 1.00 | 88 | 83 | 79 | 77 | 87 | 83 | 79 | 76 | 86 | 82 | 78 | 76 | 84 | 81 | 78 | 76 | 74 |
| 1.25 | 92 | 87 | 84 | 81 | 91 | 87 | 83 | 81 | 89 | 85 | 83 | 80 | 87 | 84 | 82 | 80 | 78 |
| 1.50 | 94 | 90 | 87 | 84 | 93 | 89 | 86 | 84 | 91 | 88 | 86 | 84 | 89 | 87 | 85 | 83 | 81 |
| 2.00 | 97 | 94 | 92 | 90 | 96 | 94 | 91 | 90 | 95 | 92 | 90 | 89 | 93 | 91 | 89 | 88 | 86 |
| 2.50 | 99 | 97 | 95 | 94 | 98 | 96 | 95 | 93 | 97 | 95 | 93 | 92 | 95 | 93 | 92 | 91 | 89 |
| 3.00 | 101 | 99 | 97 | 96 | 100 | 98 | 97 | 95 | 98 | 97 | 95 | 94 | 96 | 95 | 94 | 93 | 91 |
| 4.00 | 102 | 101 | 100 | 99 | 101 | 100 | 99 | 98 | 99 | 98 | 97 | 97 | 97 | 97 | 96 | 95 | 93 |
| 5.00 | 103 | 102 | 101 | 100 | 102 | 101 | 100 | 99 | 100 | 99 | 98 | 98 | 98 | 97 | 97 | 96 | 94 |
| 7.00 | 103 | 103 | 102 | 102 | 102 | 102 | 101 | 101 | 101 | 100 | 100 | 99 | 99 | 98 | 98 | 98 | 95 |
| 10.00 | 104 | 104 | 103 | 103 | 103 | 103 | 102 | 102 | 101 | 101 | 101 | 100 | 99 | 99 | 99 | 99 | 96 |

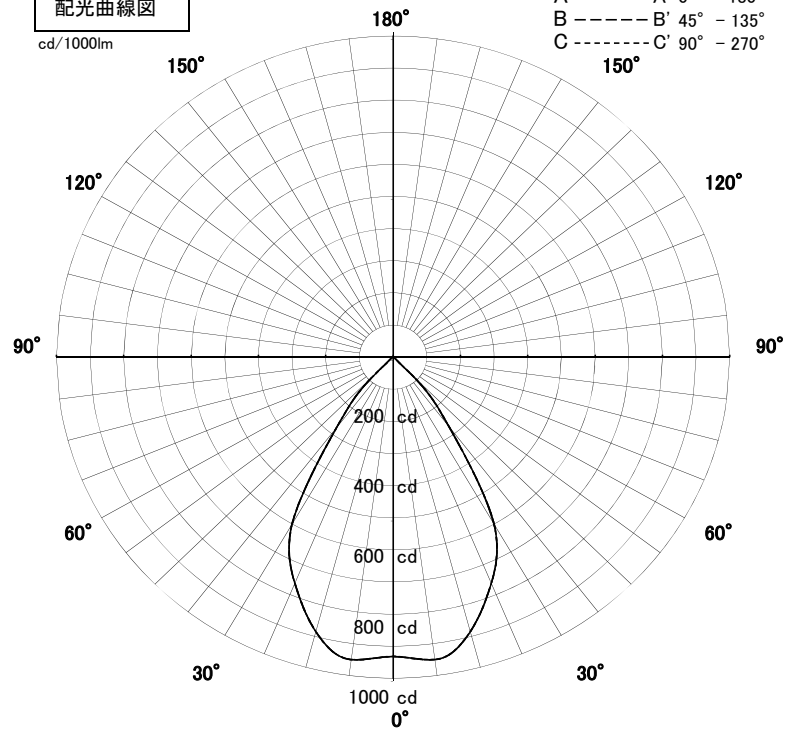
屋内照明器具特性



| | | | |
|----------------|---------------------|----|--------------------|
| 品名 | DD-3320 | | |
| 光源 | LECF/14L-W13GH3085P | | |
| 実効光束 (器具光束) | 1291lm | 効率 | 91.6lm/W (200V) |

配光曲線図

cd/1000lm



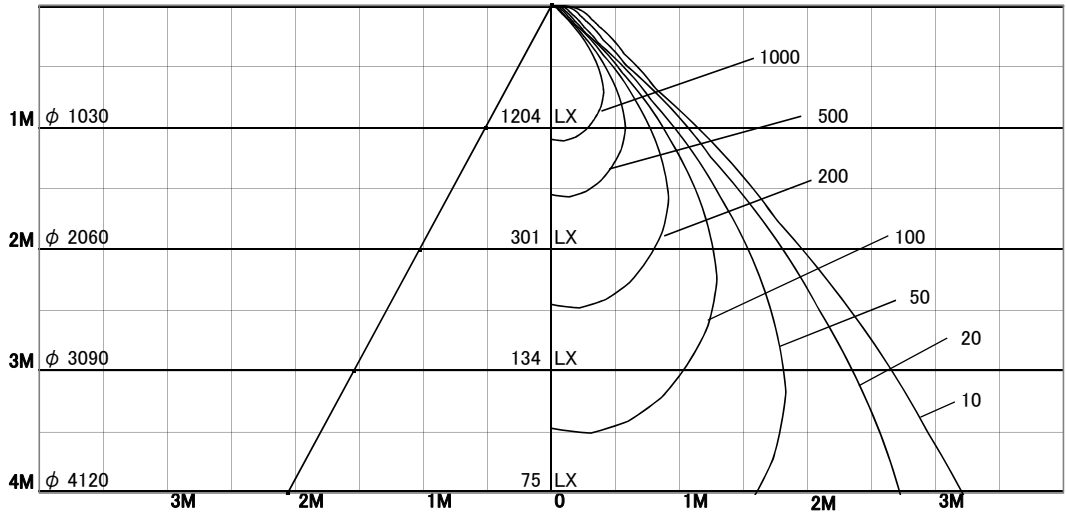
1/2照度角

直射水平面照度

単位:Lx

| | | |
|--------|-------|------|
| 色温度 | 3000K | |
| 演色評価指数 | Ra85 | |
| 保守率 | 良 | 0.8 |
| | 中 | 0.6 |
| | 否 | 0.54 |

| | | |
|--------|------|-----|
| 1/2照度角 | | |
| A-A' | 54.5 | Deg |
| C-C' | 54.5 | Deg |
| 最大取付間隔 | | |
| A-A' | 1.03 | H |
| C-C' | 1.03 | H |



照明率表

| 天井 | 80% | | | | 70% | | | | 50% | | | | 30% | | | | 0% |
|-------|-----|-----|-----|-----|-----|-----|-----|-----|-----|-----|-----|-----|-----|-----|-----|-----|----|
| | 70% | 50% | 30% | 10% | 70% | 50% | 30% | 10% | 70% | 50% | 30% | 10% | 70% | 50% | 30% | 10% | 0% |
| 壁 | 10% | | | | | | | | | | | | | | | | 0% |
| 床 | 10% | | | | | | | | | | | | | | | | 0% |
| 0.60 | 78 | 72 | 68 | 65 | 78 | 72 | 68 | 65 | 76 | 71 | 68 | 65 | 75 | 70 | 67 | 65 | 64 |
| 0.80 | 84 | 78 | 74 | 71 | 83 | 78 | 74 | 71 | 81 | 77 | 73 | 71 | 80 | 76 | 73 | 70 | 69 |
| 1.00 | 88 | 83 | 79 | 77 | 87 | 83 | 79 | 76 | 86 | 82 | 78 | 76 | 84 | 81 | 78 | 76 | 74 |
| 1.25 | 92 | 87 | 84 | 81 | 91 | 87 | 83 | 81 | 89 | 85 | 83 | 80 | 87 | 84 | 82 | 80 | 78 |
| 1.50 | 94 | 90 | 87 | 84 | 93 | 89 | 86 | 84 | 91 | 88 | 86 | 84 | 89 | 87 | 85 | 83 | 81 |
| 2.00 | 97 | 94 | 92 | 90 | 96 | 94 | 91 | 90 | 95 | 92 | 90 | 89 | 93 | 91 | 89 | 88 | 86 |
| 2.50 | 99 | 97 | 95 | 94 | 98 | 96 | 95 | 93 | 97 | 95 | 93 | 92 | 95 | 93 | 92 | 91 | 89 |
| 3.00 | 101 | 99 | 97 | 96 | 100 | 98 | 97 | 95 | 98 | 97 | 95 | 94 | 96 | 95 | 94 | 93 | 91 |
| 4.00 | 102 | 101 | 100 | 99 | 101 | 100 | 99 | 98 | 99 | 98 | 97 | 97 | 97 | 97 | 96 | 95 | 93 |
| 5.00 | 103 | 102 | 101 | 100 | 102 | 101 | 100 | 99 | 100 | 99 | 98 | 98 | 98 | 97 | 97 | 96 | 94 |
| 7.00 | 103 | 103 | 102 | 102 | 102 | 102 | 101 | 101 | 101 | 100 | 100 | 99 | 99 | 98 | 98 | 98 | 95 |
| 10.00 | 104 | 104 | 103 | 103 | 103 | 103 | 102 | 102 | 101 | 101 | 101 | 100 | 99 | 99 | 99 | 99 | 96 |

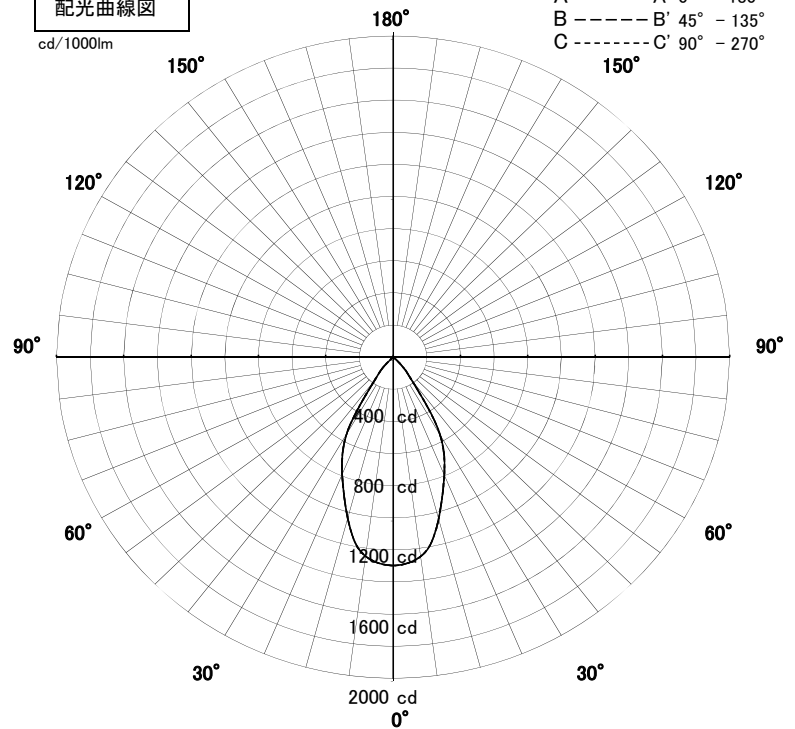
屋内照明器具特性



| | | | |
|----------------|---------------------|----|--------------------|
| 品名 | DD-3320 | | |
| 光源 | LECF/14L-M13GH3085P | | |
| 実効光束 (器具光束) | 1342lm | 効率 | 94.5lm/W (100V) |

配光曲線図

cd/1000lm



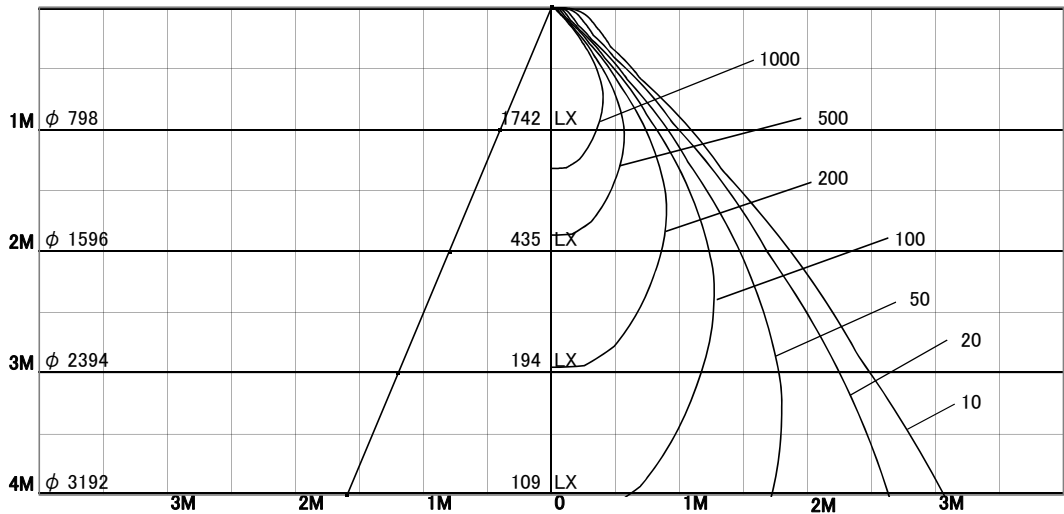
1/2照度角

直射水平面照度

単位: Lx

| | | |
|--------|-------|------|
| 色温度 | 3000K | |
| 演色評価指数 | Ra85 | |
| 保守率 | 良 | 0.8 |
| | 中 | 0.6 |
| | 否 | 0.54 |

| | | |
|--------|------|-----|
| 1/2照度角 | | |
| A-A' | 43.5 | Deg |
| C-C' | 43.5 | Deg |
| 最大取付間隔 | | |
| A-A' | 0.80 | H |
| C-C' | 0.80 | H |



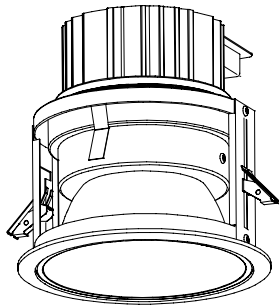
照明率表

| 天井 | 80% | | | | 70% | | | | 50% | | | | 30% | | | | 0% |
|-------|-----|-----|-----|-----|-----|-----|-----|-----|-----|-----|-----|-----|-----|-----|-----|-----|----|
| | 70% | 50% | 30% | 10% | 70% | 50% | 30% | 10% | 70% | 50% | 30% | 10% | 70% | 50% | 30% | 10% | 0% |
| 壁 | 10% | | | | | | | | | | | | | | | | 0% |
| 床 | 10% | | | | | | | | | | | | | | | | 0% |
| 0.60 | 77 | 72 | 68 | 65 | 77 | 71 | 68 | 65 | 75 | 71 | 67 | 65 | 74 | 70 | 67 | 65 | 64 |
| 0.80 | 82 | 77 | 73 | 70 | 81 | 76 | 73 | 70 | 80 | 76 | 72 | 70 | 79 | 75 | 72 | 70 | 69 |
| 1.00 | 86 | 82 | 78 | 76 | 85 | 81 | 78 | 75 | 84 | 80 | 77 | 75 | 82 | 79 | 77 | 75 | 73 |
| 1.25 | 89 | 85 | 82 | 80 | 88 | 85 | 82 | 79 | 87 | 84 | 81 | 79 | 85 | 82 | 80 | 78 | 77 |
| 1.50 | 91 | 88 | 85 | 83 | 90 | 87 | 84 | 82 | 89 | 86 | 84 | 82 | 87 | 85 | 83 | 81 | 80 |
| 2.00 | 95 | 92 | 90 | 88 | 94 | 91 | 89 | 87 | 92 | 90 | 88 | 87 | 90 | 89 | 87 | 86 | 84 |
| 2.50 | 96 | 94 | 93 | 91 | 96 | 94 | 92 | 91 | 94 | 92 | 91 | 90 | 92 | 91 | 90 | 89 | 87 |
| 3.00 | 98 | 96 | 95 | 94 | 97 | 95 | 94 | 93 | 95 | 94 | 93 | 92 | 93 | 92 | 92 | 91 | 89 |
| 4.00 | 99 | 98 | 97 | 96 | 98 | 97 | 96 | 95 | 96 | 95 | 95 | 94 | 94 | 94 | 93 | 93 | 91 |
| 5.00 | 100 | 99 | 98 | 97 | 99 | 98 | 97 | 97 | 97 | 96 | 96 | 95 | 95 | 95 | 94 | 94 | 92 |
| 7.00 | 100 | 100 | 99 | 99 | 99 | 99 | 99 | 98 | 97 | 97 | 97 | 97 | 96 | 96 | 95 | 95 | 93 |
| 10.00 | 101 | 101 | 100 | 100 | 100 | 100 | 99 | 99 | 98 | 98 | 98 | 98 | 96 | 96 | 96 | 96 | 93 |

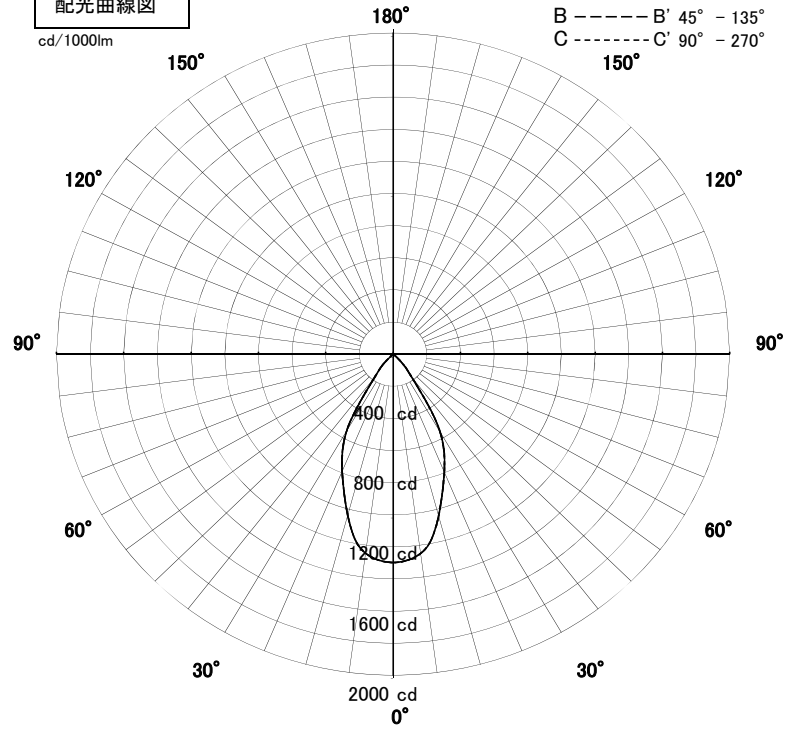
屋内照明器具特性



| | | | |
|----------------|---------------------|----|--------------------|
| 品名 | DD-3320 | | |
| 光源 | LECF/14L-M13GH3085P | | |
| 実効光束 (器具光束) | 1342lm | 効率 | 95.2lm/W (200V) |



配光曲線図
cd/1000lm



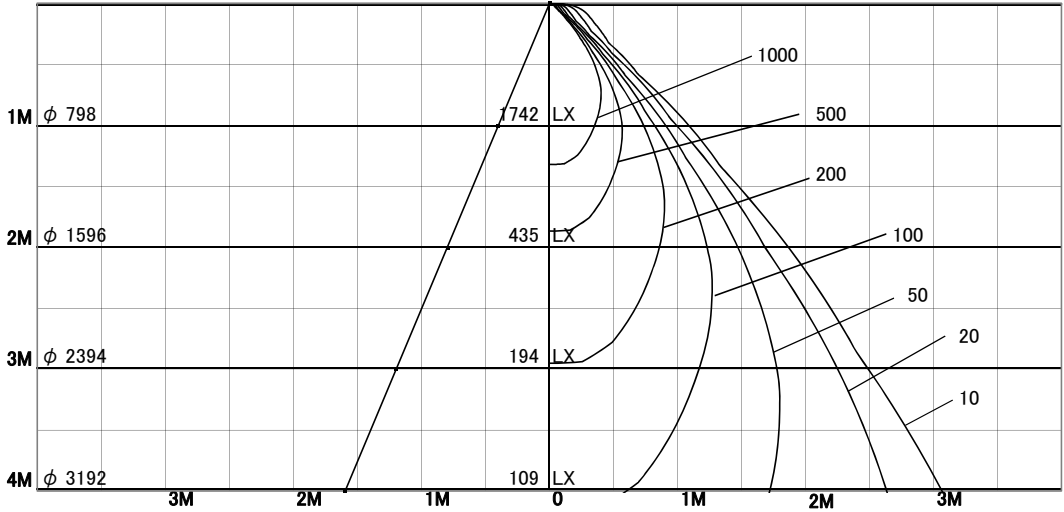
1/2照度角

直射水平面照度

単位: Lx

| | | |
|--------|-------|------|
| 色温度 | 3000K | |
| 演色評価指数 | Ra85 | |
| 保守率 | 良 | 0.8 |
| | 中 | 0.6 |
| | 否 | 0.54 |

| | | |
|--------|------|-----|
| 1/2照度角 | | |
| A-A' | 43.5 | Deg |
| C-C' | 43.5 | Deg |
| 最大取付間隔 | | |
| A-A' | 0.80 | H |
| C-C' | 0.80 | H |



照明率表

| | 80% | | | | 70% | | | | 50% | | | | 30% | | | | 0% |
|-------|-----|-----|-----|-----|-----|-----|-----|-----|-----|-----|-----|-----|-----|-----|-----|-----|----|
| | 70% | 50% | 30% | 10% | 70% | 50% | 30% | 10% | 70% | 50% | 30% | 10% | 70% | 50% | 30% | 10% | 0% |
| 天井 | 10% | | | | | | | | | | | | | | | | 0% |
| 壁 | 10% | | | | | | | | | | | | | | | | 0% |
| 床 | 10% | | | | | | | | | | | | | | | | 0% |
| 0.60 | 77 | 72 | 68 | 65 | 77 | 71 | 68 | 65 | 75 | 71 | 67 | 65 | 74 | 70 | 67 | 65 | 64 |
| 0.80 | 82 | 77 | 73 | 70 | 81 | 76 | 73 | 70 | 80 | 76 | 72 | 70 | 79 | 75 | 72 | 70 | 69 |
| 1.00 | 86 | 82 | 78 | 76 | 85 | 81 | 78 | 75 | 84 | 80 | 77 | 75 | 82 | 79 | 77 | 75 | 73 |
| 1.25 | 89 | 85 | 82 | 80 | 88 | 85 | 82 | 79 | 87 | 84 | 81 | 79 | 85 | 82 | 80 | 78 | 77 |
| 1.50 | 91 | 88 | 85 | 83 | 90 | 87 | 84 | 82 | 89 | 86 | 84 | 82 | 87 | 85 | 83 | 81 | 80 |
| 2.00 | 95 | 92 | 90 | 88 | 94 | 91 | 89 | 87 | 92 | 90 | 88 | 87 | 90 | 89 | 87 | 86 | 84 |
| 2.50 | 96 | 94 | 93 | 91 | 96 | 94 | 92 | 91 | 94 | 92 | 91 | 90 | 92 | 91 | 90 | 89 | 87 |
| 3.00 | 98 | 96 | 95 | 94 | 97 | 95 | 94 | 93 | 95 | 94 | 93 | 92 | 93 | 92 | 92 | 91 | 89 |
| 4.00 | 99 | 98 | 97 | 96 | 98 | 97 | 96 | 95 | 96 | 95 | 95 | 94 | 94 | 94 | 93 | 93 | 91 |
| 5.00 | 100 | 99 | 98 | 97 | 99 | 98 | 97 | 97 | 97 | 96 | 96 | 95 | 95 | 95 | 94 | 94 | 92 |
| 7.00 | 100 | 100 | 99 | 99 | 99 | 99 | 99 | 98 | 97 | 97 | 97 | 97 | 96 | 96 | 95 | 95 | 93 |
| 10.00 | 101 | 101 | 100 | 100 | 100 | 100 | 99 | 99 | 98 | 98 | 98 | 98 | 96 | 96 | 96 | 96 | 93 |

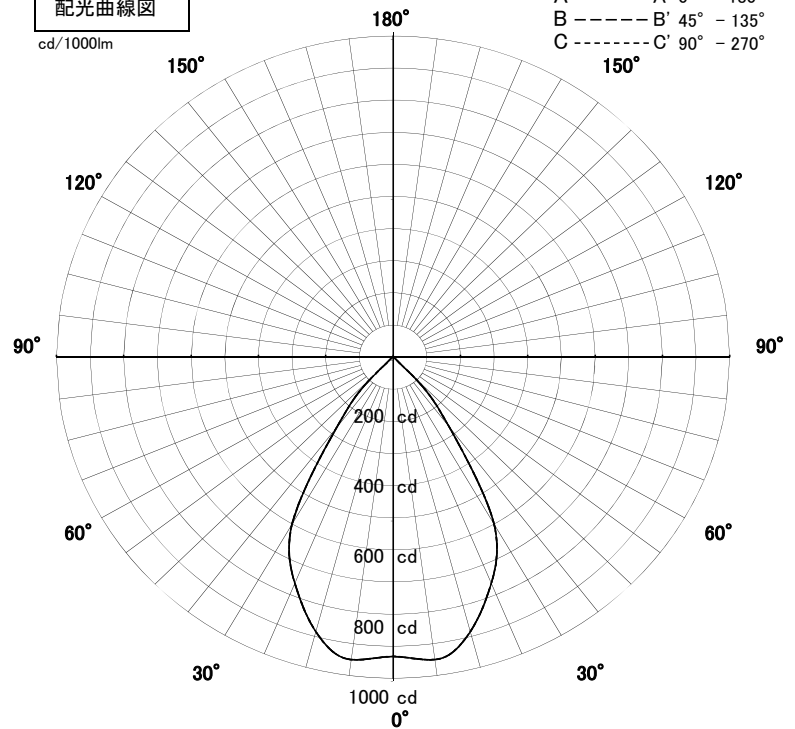
屋内照明器具特性



| | | | |
|----------------|--------------------|----|--------------------|
| 品名 | DD-3320 | | |
| 光源 | LECF/18N-W19GH5085 | | |
| 実効光束 (器具光束) | 1814lm | 効率 | 98.1lm/W (100V) |

配光曲線図

cd/1000lm



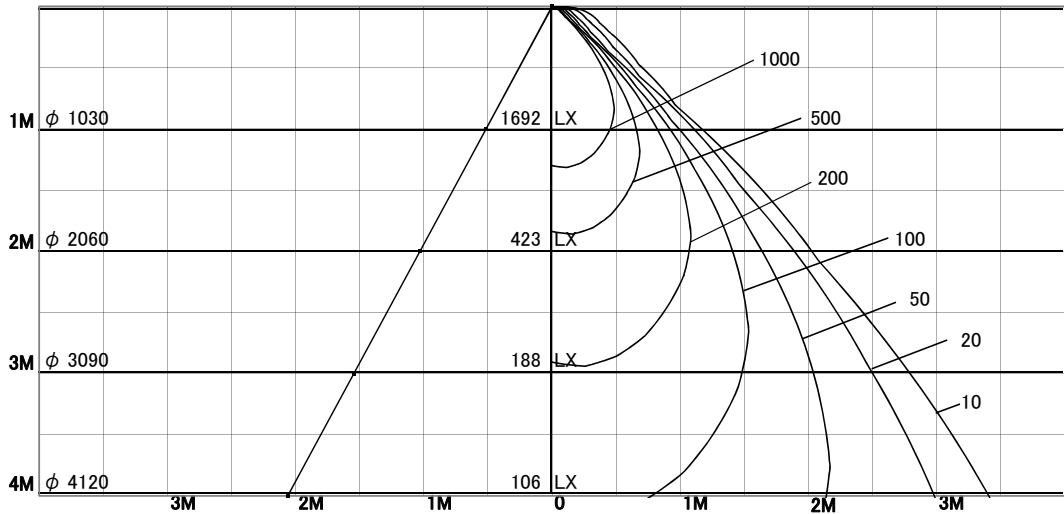
1/2照度角

直射水平面照度

単位:Lx

| | | |
|--------|-------|------|
| 色温度 | 5000K | |
| 演色評価指数 | Ra85 | |
| 保守率 | 良 | 0.8 |
| | 中 | 0.6 |
| | 否 | 0.54 |

| | | |
|--------|------|-----|
| 1/2照度角 | | |
| A-A' | 54.5 | Deg |
| C-C' | 54.5 | Deg |
| 最大取付間隔 | | |
| A-A' | 1.03 | H |
| C-C' | 1.03 | H |



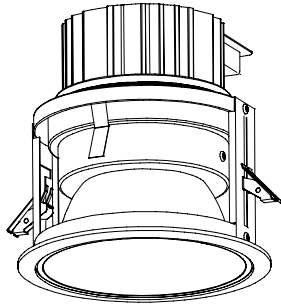
照明率表

| 天井 | 80% | | | | 70% | | | | 50% | | | | 30% | | | | 0% |
|-------|-----|-----|-----|-----|-----|-----|-----|-----|-----|-----|-----|-----|-----|-----|-----|-----|----|
| | 70% | 50% | 30% | 10% | 70% | 50% | 30% | 10% | 70% | 50% | 30% | 10% | 70% | 50% | 30% | 10% | 0% |
| 壁 | 10% | | | | | | | | | | | | | | | | 0% |
| 床 | 10% | | | | | | | | | | | | | | | | 0% |
| 0.60 | 78 | 72 | 68 | 65 | 78 | 72 | 68 | 65 | 76 | 71 | 68 | 65 | 75 | 70 | 67 | 65 | 64 |
| 0.80 | 84 | 78 | 74 | 71 | 83 | 78 | 74 | 71 | 81 | 77 | 73 | 71 | 80 | 76 | 73 | 70 | 69 |
| 1.00 | 88 | 83 | 79 | 77 | 87 | 83 | 79 | 76 | 86 | 82 | 78 | 76 | 84 | 81 | 78 | 76 | 74 |
| 1.25 | 92 | 87 | 84 | 81 | 91 | 87 | 83 | 81 | 89 | 85 | 83 | 80 | 87 | 84 | 82 | 80 | 78 |
| 1.50 | 94 | 90 | 87 | 84 | 93 | 89 | 86 | 84 | 91 | 88 | 86 | 84 | 89 | 87 | 85 | 83 | 81 |
| 2.00 | 97 | 94 | 92 | 90 | 96 | 94 | 91 | 90 | 95 | 92 | 90 | 89 | 93 | 91 | 89 | 88 | 86 |
| 2.50 | 99 | 97 | 95 | 94 | 98 | 96 | 95 | 93 | 97 | 95 | 93 | 92 | 95 | 93 | 92 | 91 | 89 |
| 3.00 | 101 | 99 | 97 | 96 | 100 | 98 | 97 | 95 | 98 | 97 | 95 | 94 | 96 | 95 | 94 | 93 | 91 |
| 4.00 | 102 | 101 | 100 | 99 | 101 | 100 | 99 | 98 | 99 | 98 | 97 | 97 | 97 | 97 | 96 | 95 | 93 |
| 5.00 | 103 | 102 | 101 | 100 | 102 | 101 | 100 | 99 | 100 | 99 | 98 | 98 | 98 | 97 | 97 | 96 | 94 |
| 7.00 | 103 | 103 | 102 | 102 | 102 | 102 | 101 | 101 | 101 | 100 | 100 | 99 | 99 | 98 | 98 | 98 | 95 |
| 10.00 | 104 | 104 | 103 | 103 | 103 | 103 | 102 | 102 | 101 | 101 | 101 | 100 | 99 | 99 | 99 | 99 | 96 |

屋内照明器具特性

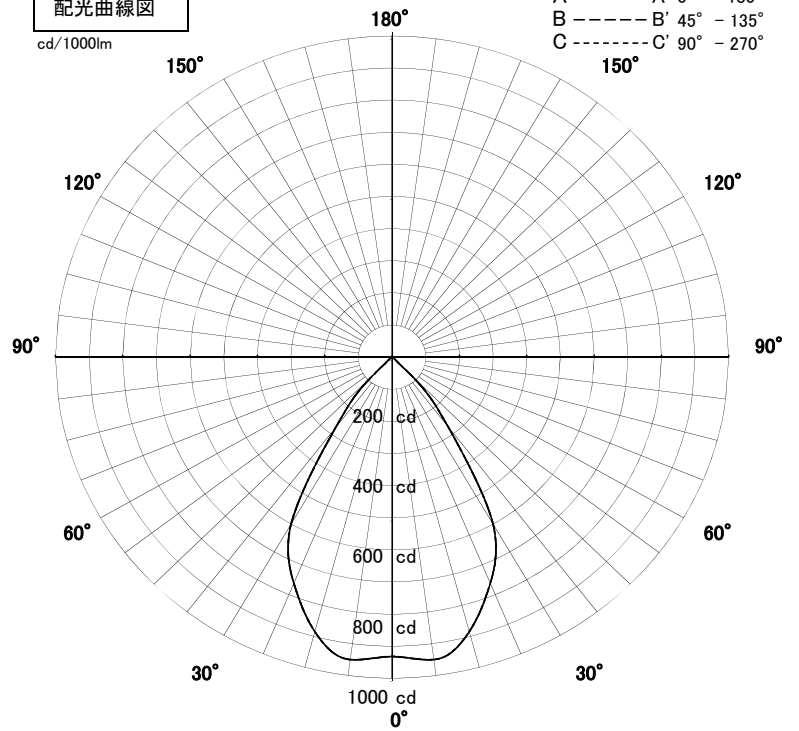


| | | | |
|----------------|--------------------|----|--------------------|
| 品名 | DD-3320 | | |
| 光源 | LECF/18N-W19GH5085 | | |
| 実効光束 (器具光束) | 1814lm | 効率 | 99.7lm/W (200V) |



配光曲線図

cd/1000lm



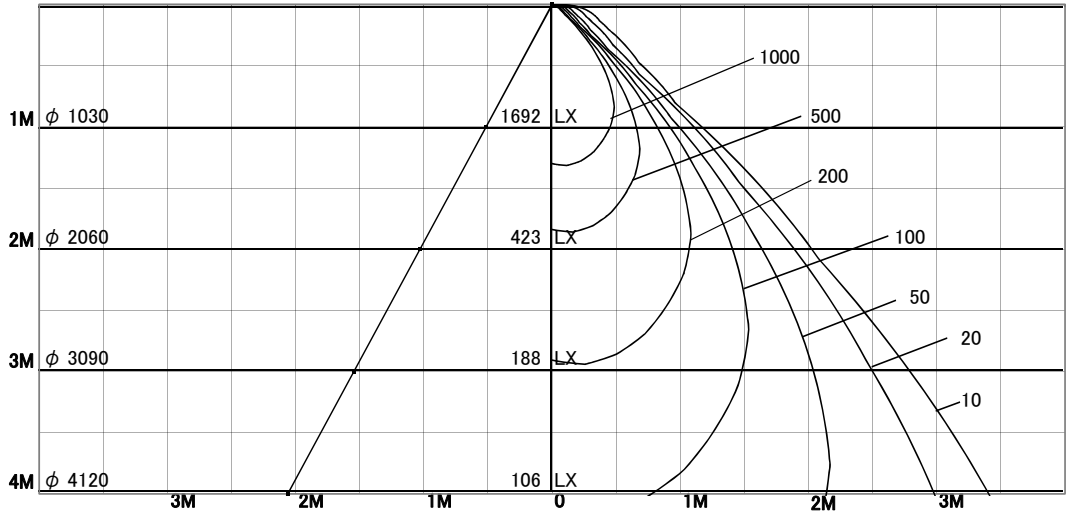
1/2照度角

直射水平面照度

単位:Lx

| | | |
|--------|-------|------|
| 色温度 | 5000K | |
| 演色評価指数 | Ra85 | |
| 保守率 | 良 | 0.8 |
| | 中 | 0.6 |
| | 否 | 0.54 |

| | | |
|--------|------|-----|
| 1/2照度角 | | |
| A-A' | 54.5 | Deg |
| C-C' | 54.5 | Deg |
| 最大取付間隔 | | |
| A-A' | 1.03 | H |
| C-C' | 1.03 | H |



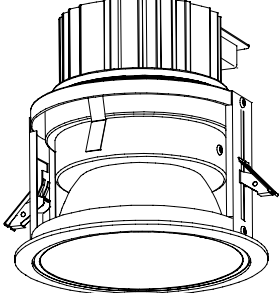
照明率表

| 天井 | 80% | | | | 70% | | | | 50% | | | | 30% | | | | 0% |
|-------|-----|-----|-----|-----|-----|-----|-----|-----|-----|-----|-----|-----|-----|-----|-----|-----|----|
| | 70% | 50% | 30% | 10% | 70% | 50% | 30% | 10% | 70% | 50% | 30% | 10% | 70% | 50% | 30% | 10% | 0% |
| 壁 | 10% | | | | | | | | | | | | | | | | 0% |
| 床 | 10% | | | | | | | | | | | | | | | | 0% |
| 0.60 | 78 | 72 | 68 | 65 | 78 | 72 | 68 | 65 | 76 | 71 | 68 | 65 | 75 | 70 | 67 | 65 | 64 |
| 0.80 | 84 | 78 | 74 | 71 | 83 | 78 | 74 | 71 | 81 | 77 | 73 | 71 | 80 | 76 | 73 | 70 | 69 |
| 1.00 | 88 | 83 | 79 | 77 | 87 | 83 | 79 | 76 | 86 | 82 | 78 | 76 | 84 | 81 | 78 | 76 | 74 |
| 1.25 | 92 | 87 | 84 | 81 | 91 | 87 | 83 | 81 | 89 | 85 | 83 | 80 | 87 | 84 | 82 | 80 | 78 |
| 1.50 | 94 | 90 | 87 | 84 | 93 | 89 | 86 | 84 | 91 | 88 | 86 | 84 | 89 | 87 | 85 | 83 | 81 |
| 2.00 | 97 | 94 | 92 | 90 | 96 | 94 | 91 | 90 | 95 | 92 | 90 | 89 | 93 | 91 | 89 | 88 | 86 |
| 2.50 | 99 | 97 | 95 | 94 | 98 | 96 | 95 | 93 | 97 | 95 | 93 | 92 | 95 | 93 | 92 | 91 | 89 |
| 3.00 | 101 | 99 | 97 | 96 | 100 | 98 | 97 | 95 | 98 | 97 | 95 | 94 | 96 | 95 | 94 | 93 | 91 |
| 4.00 | 102 | 101 | 100 | 99 | 101 | 100 | 99 | 98 | 99 | 98 | 97 | 97 | 97 | 97 | 96 | 95 | 93 |
| 5.00 | 103 | 102 | 101 | 100 | 102 | 101 | 100 | 99 | 100 | 99 | 98 | 98 | 98 | 97 | 97 | 96 | 94 |
| 7.00 | 103 | 103 | 102 | 102 | 102 | 102 | 101 | 101 | 101 | 100 | 100 | 99 | 99 | 98 | 98 | 98 | 95 |
| 10.00 | 104 | 104 | 103 | 103 | 103 | 103 | 102 | 102 | 101 | 101 | 101 | 100 | 99 | 99 | 99 | 99 | 96 |

屋内照明器具特性

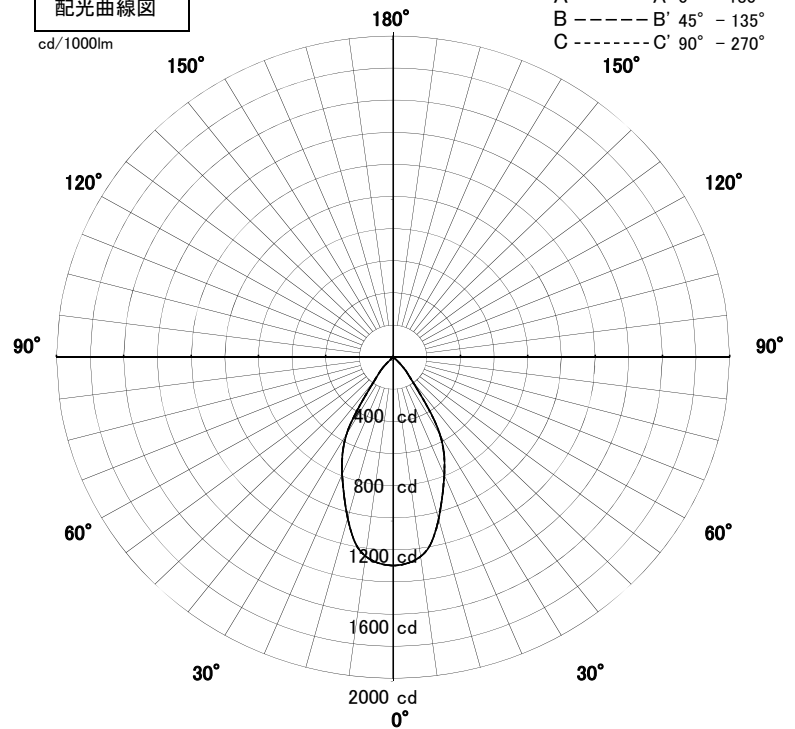


| | | | |
|----------------|--------------------|----|---------------------|
| 品名 | DD-3320 | | |
| 光源 | LECF/18N-M19GH5085 | | |
| 実効光束 (器具光束) | 1885lm | 効率 | 101.9lm/W (100V) |



配光曲線図

cd/1000lm



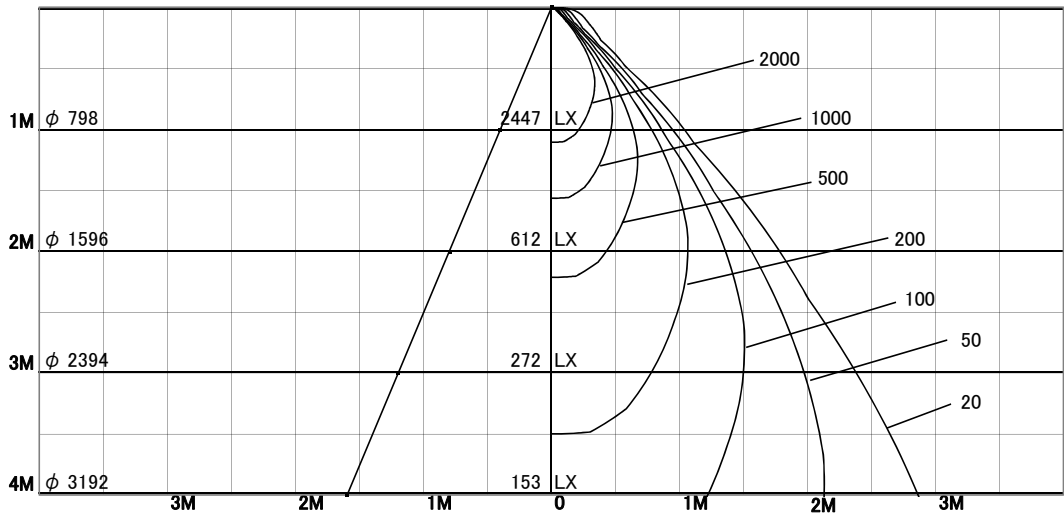
1/2照度角

直射水平面照度

単位: Lx

| | | |
|--------|-------|------|
| 色温度 | 5000K | |
| 演色評価指数 | Ra85 | |
| 保守率 | 良 | 0.8 |
| | 中 | 0.6 |
| | 否 | 0.54 |

| | | |
|--------|------|-----|
| 1/2照度角 | | |
| A-A' | 43.5 | Deg |
| C-C' | 43.5 | Deg |
| 最大取付間隔 | | |
| A-A' | 0.80 | H |
| C-C' | 0.80 | H |



照明率表

| 天井 | 80% | | | | 70% | | | | 50% | | | | 30% | | | | 0% |
|-------|-----|-----|-----|-----|-----|-----|-----|-----|-----|-----|-----|-----|-----|-----|-----|-----|----|
| | 70% | 50% | 30% | 10% | 70% | 50% | 30% | 10% | 70% | 50% | 30% | 10% | 70% | 50% | 30% | 10% | 0% |
| 壁 | 10% | | | | | | | | | | | | | | | | 0% |
| 床 | 10% | | | | | | | | | | | | | | | | 0% |
| 0.60 | 77 | 72 | 68 | 65 | 77 | 71 | 68 | 65 | 75 | 71 | 67 | 65 | 74 | 70 | 67 | 65 | 64 |
| 0.80 | 82 | 77 | 73 | 70 | 81 | 76 | 73 | 70 | 80 | 76 | 72 | 70 | 79 | 75 | 72 | 70 | 69 |
| 1.00 | 86 | 82 | 78 | 76 | 85 | 81 | 78 | 75 | 84 | 80 | 77 | 75 | 82 | 79 | 77 | 75 | 73 |
| 1.25 | 89 | 85 | 82 | 80 | 88 | 85 | 82 | 79 | 87 | 84 | 81 | 79 | 85 | 82 | 80 | 78 | 77 |
| 1.50 | 91 | 88 | 85 | 83 | 91 | 87 | 84 | 82 | 89 | 86 | 84 | 82 | 87 | 85 | 83 | 81 | 80 |
| 2.00 | 95 | 92 | 90 | 88 | 94 | 91 | 89 | 87 | 92 | 90 | 88 | 87 | 90 | 89 | 87 | 86 | 84 |
| 2.50 | 96 | 94 | 93 | 91 | 96 | 94 | 92 | 91 | 94 | 92 | 91 | 90 | 92 | 91 | 90 | 89 | 87 |
| 3.00 | 98 | 96 | 95 | 94 | 97 | 95 | 94 | 93 | 95 | 94 | 93 | 92 | 93 | 92 | 92 | 91 | 89 |
| 4.00 | 99 | 98 | 97 | 96 | 98 | 97 | 96 | 95 | 96 | 95 | 95 | 94 | 94 | 94 | 93 | 93 | 91 |
| 5.00 | 100 | 99 | 98 | 97 | 99 | 98 | 97 | 97 | 97 | 96 | 96 | 95 | 95 | 95 | 94 | 94 | 92 |
| 7.00 | 100 | 100 | 99 | 99 | 99 | 99 | 99 | 98 | 97 | 97 | 97 | 97 | 96 | 96 | 95 | 95 | 93 |
| 10.00 | 101 | 101 | 100 | 100 | 100 | 100 | 99 | 99 | 98 | 98 | 98 | 98 | 96 | 96 | 96 | 96 | 93 |

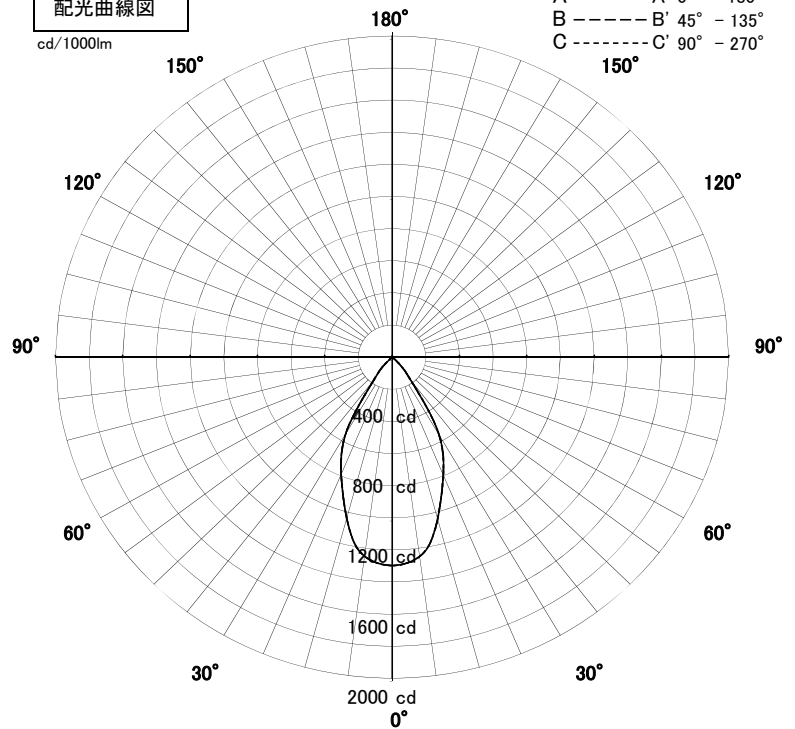
屋内照明器具特性



| | | | |
|----------------|--------------------|----|---------------------|
| 品名 | DD-3320 | | |
| 光源 | LECF/18N-M19GH5085 | | |
| 実効光束 (器具光束) | 1885lm | 効率 | 103.6lm/W (200V) |

配光曲線図

cd/1000lm



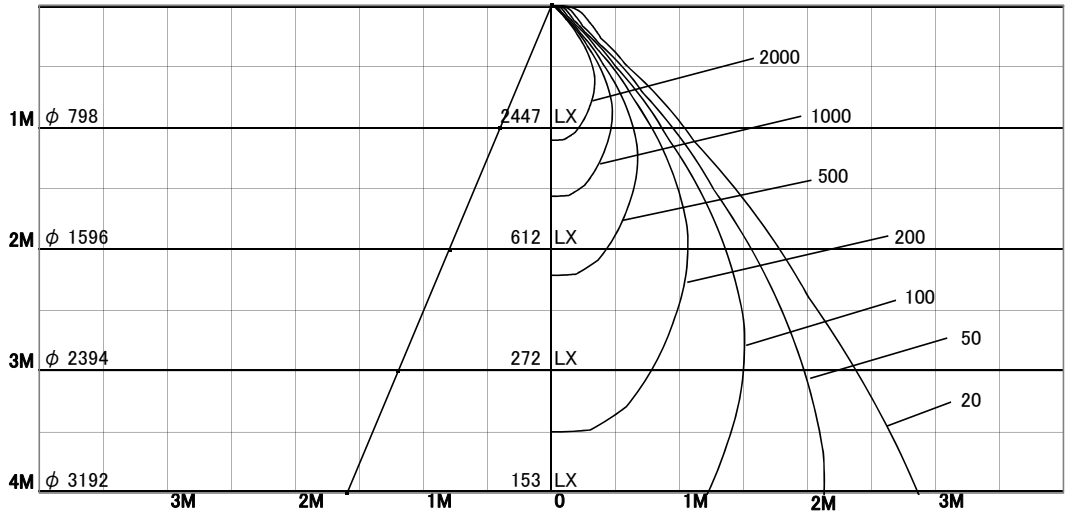
1/2照度角

直射水平面照度

単位: Lx

| | | |
|--------|-------|------|
| 色温度 | 5000K | |
| 演色評価指数 | Ra85 | |
| 保守率 | 良 | 0.8 |
| | 中 | 0.6 |
| | 否 | 0.54 |

| | | |
|--------|------|-----|
| 1/2照度角 | | |
| A-A' | 43.5 | Deg |
| C-C' | 43.5 | Deg |
| 最大取付間隔 | | |
| A-A' | 0.80 | H |
| C-C' | 0.80 | H |



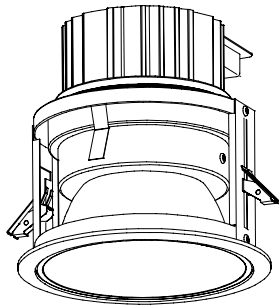
照明率表

| 天井 | 80% | | | | 70% | | | | 50% | | | | 30% | | | | 0% |
|-------|-----|-----|-----|-----|-----|-----|-----|-----|-----|-----|-----|-----|-----|-----|-----|-----|----|
| | 70% | 50% | 30% | 10% | 70% | 50% | 30% | 10% | 70% | 50% | 30% | 10% | 70% | 50% | 30% | 10% | 0% |
| 壁 | 10% | | | | | | | | | | | | | | | | 0% |
| 床 | 10% | | | | | | | | | | | | | | | | 0% |
| 0.60 | 77 | 72 | 68 | 65 | 77 | 71 | 68 | 65 | 75 | 71 | 67 | 65 | 74 | 70 | 67 | 65 | 64 |
| 0.80 | 82 | 77 | 73 | 70 | 81 | 76 | 73 | 70 | 80 | 76 | 72 | 70 | 79 | 75 | 72 | 70 | 69 |
| 1.00 | 86 | 82 | 78 | 76 | 85 | 81 | 78 | 75 | 84 | 80 | 77 | 75 | 82 | 79 | 77 | 75 | 73 |
| 1.25 | 89 | 85 | 82 | 80 | 88 | 85 | 82 | 79 | 87 | 84 | 81 | 79 | 85 | 82 | 80 | 78 | 77 |
| 1.50 | 91 | 88 | 85 | 83 | 91 | 87 | 84 | 82 | 89 | 86 | 84 | 82 | 87 | 85 | 83 | 81 | 80 |
| 2.00 | 95 | 92 | 90 | 88 | 94 | 91 | 89 | 87 | 92 | 90 | 88 | 87 | 90 | 89 | 87 | 86 | 84 |
| 2.50 | 96 | 94 | 93 | 91 | 96 | 94 | 92 | 91 | 94 | 92 | 91 | 90 | 92 | 91 | 90 | 89 | 87 |
| 3.00 | 98 | 96 | 95 | 94 | 97 | 95 | 94 | 93 | 95 | 94 | 93 | 92 | 93 | 92 | 92 | 91 | 89 |
| 4.00 | 99 | 98 | 97 | 96 | 98 | 97 | 96 | 95 | 96 | 95 | 95 | 94 | 94 | 94 | 93 | 93 | 91 |
| 5.00 | 100 | 99 | 98 | 97 | 99 | 98 | 97 | 97 | 97 | 96 | 96 | 95 | 95 | 95 | 94 | 94 | 92 |
| 7.00 | 100 | 100 | 99 | 99 | 99 | 99 | 99 | 98 | 97 | 97 | 97 | 97 | 96 | 96 | 95 | 95 | 93 |
| 10.00 | 101 | 101 | 100 | 100 | 100 | 100 | 99 | 99 | 98 | 98 | 98 | 98 | 96 | 96 | 96 | 96 | 93 |

屋内照明器具特性

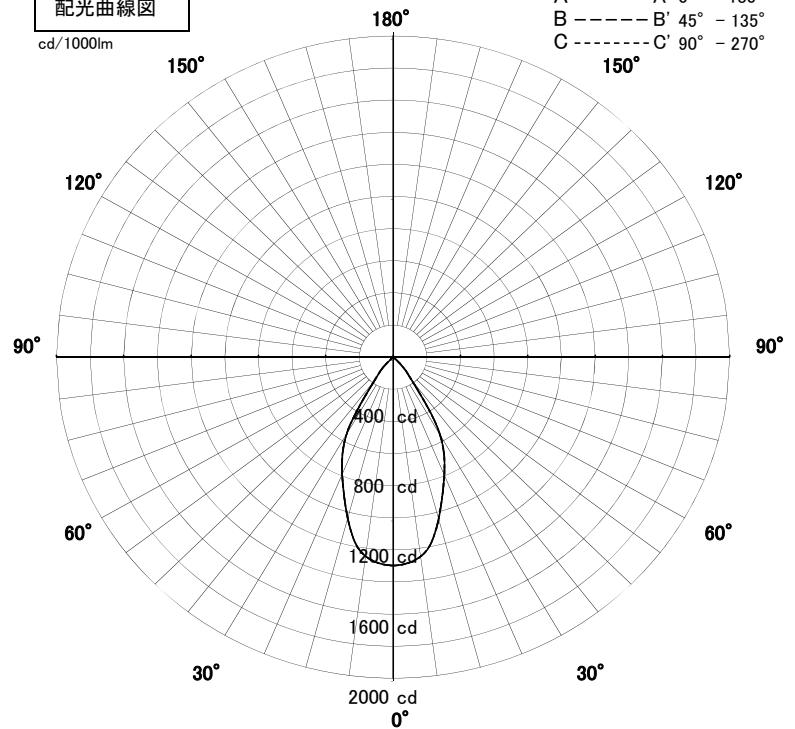


| | | | |
|----------------|--------------------|----|--------------------|
| 品名 | DD-3320 | | |
| 光源 | LECF/18W-M18GH4085 | | |
| 実効光束 (器具光束) | 1796lm | 効率 | 97.1lm/W (100V) |



配光曲線図

cd/1000lm



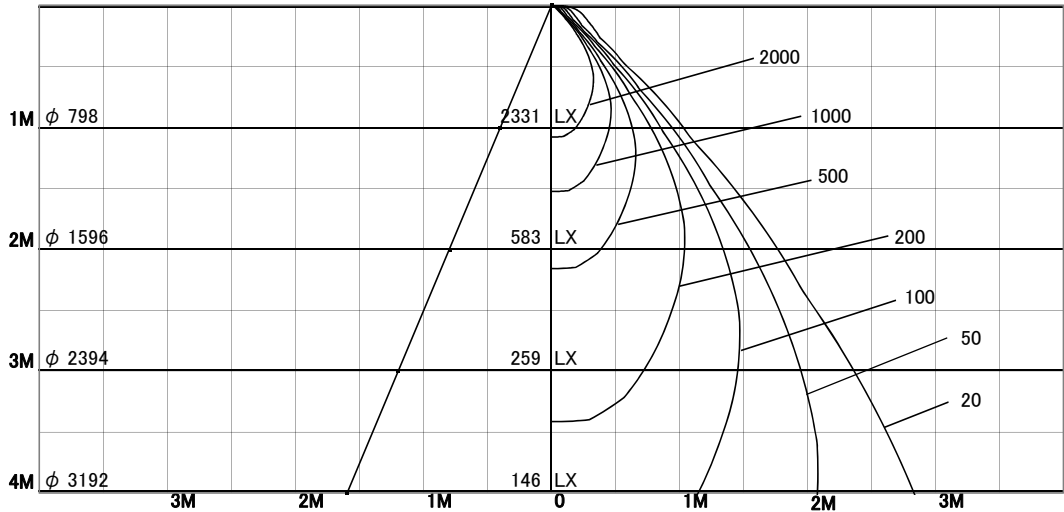
1/2照度角

直射水平面照度

単位:Lx

| | | |
|--------|-------|------|
| 色温度 | 4000K | |
| 演色評価指数 | Ra85 | |
| 保守率 | 良 | 0.8 |
| | 中 | 0.6 |
| | 否 | 0.54 |

| | | |
|--------|------|-----|
| 1/2照度角 | | |
| A-A' | 43.5 | Deg |
| C-C' | 43.5 | Deg |
| 最大取付間隔 | | |
| A-A' | 0.80 | H |
| C-C' | 0.80 | H |



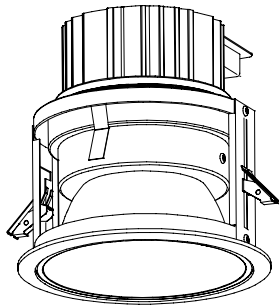
照明率表

| 天井 | 80% | | | | 70% | | | | 50% | | | | 30% | | | | 0% |
|-------|-----|-----|-----|-----|-----|-----|-----|-----|-----|-----|-----|-----|-----|-----|-----|-----|----|
| | 70% | 50% | 30% | 10% | 70% | 50% | 30% | 10% | 70% | 50% | 30% | 10% | 70% | 50% | 30% | 10% | 0% |
| 壁 | 10% | | | | | | | | | | | | | | | | 0% |
| 床 | 10% | | | | | | | | | | | | | | | | 0% |
| 0.60 | 77 | 72 | 68 | 65 | 77 | 71 | 68 | 65 | 75 | 71 | 67 | 65 | 74 | 70 | 67 | 65 | 64 |
| 0.80 | 82 | 77 | 73 | 70 | 81 | 76 | 73 | 70 | 80 | 76 | 72 | 70 | 79 | 75 | 72 | 70 | 69 |
| 1.00 | 86 | 82 | 78 | 76 | 85 | 81 | 78 | 75 | 84 | 80 | 77 | 75 | 82 | 79 | 77 | 75 | 73 |
| 1.25 | 89 | 85 | 82 | 80 | 88 | 85 | 82 | 79 | 87 | 84 | 81 | 79 | 85 | 82 | 80 | 78 | 77 |
| 1.50 | 91 | 88 | 85 | 83 | 91 | 87 | 84 | 82 | 89 | 86 | 84 | 82 | 87 | 85 | 83 | 81 | 80 |
| 2.00 | 95 | 92 | 90 | 88 | 94 | 91 | 89 | 87 | 92 | 90 | 88 | 87 | 90 | 89 | 87 | 86 | 84 |
| 2.50 | 96 | 94 | 93 | 91 | 96 | 94 | 92 | 91 | 94 | 92 | 91 | 90 | 92 | 91 | 90 | 89 | 87 |
| 3.00 | 98 | 96 | 95 | 94 | 97 | 95 | 94 | 93 | 95 | 94 | 93 | 92 | 93 | 92 | 92 | 91 | 89 |
| 4.00 | 99 | 98 | 97 | 96 | 98 | 97 | 96 | 95 | 96 | 95 | 95 | 94 | 94 | 94 | 93 | 93 | 91 |
| 5.00 | 100 | 99 | 98 | 97 | 99 | 98 | 97 | 97 | 97 | 96 | 96 | 95 | 95 | 95 | 94 | 94 | 92 |
| 7.00 | 100 | 100 | 99 | 99 | 99 | 99 | 99 | 98 | 97 | 97 | 97 | 97 | 96 | 96 | 95 | 95 | 93 |
| 10.00 | 101 | 101 | 100 | 100 | 100 | 100 | 99 | 99 | 98 | 98 | 98 | 98 | 96 | 96 | 96 | 96 | 93 |

屋内照明器具特性

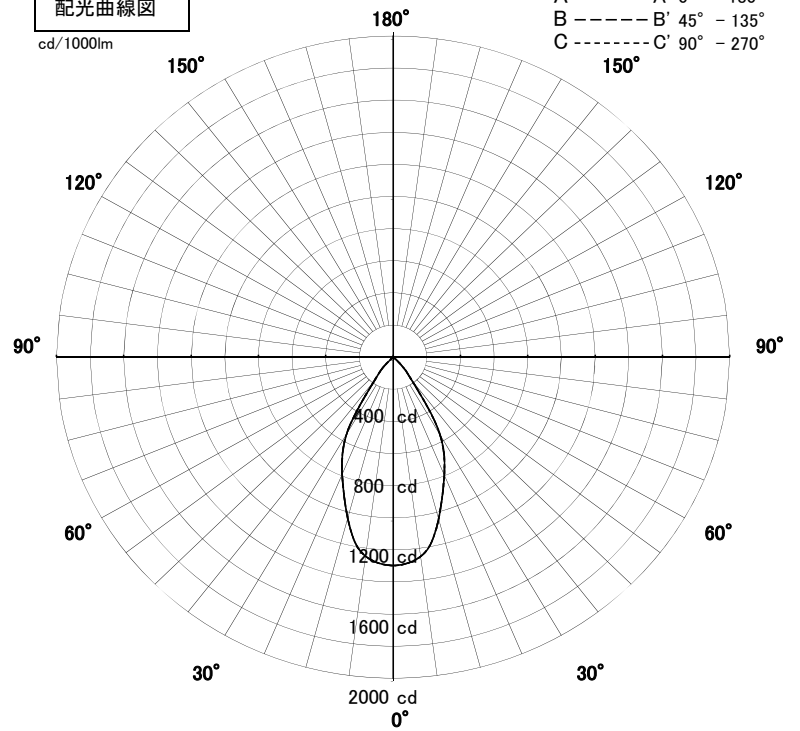


| | | | |
|----------------|--------------------|----|--------------------|
| 品名 | DD-3320 | | |
| 光源 | LECF/18W-M18GH4085 | | |
| 実効光束 (器具光束) | 1796lm | 効率 | 98.7lm/W (200V) |



配光曲線図

cd/1000lm



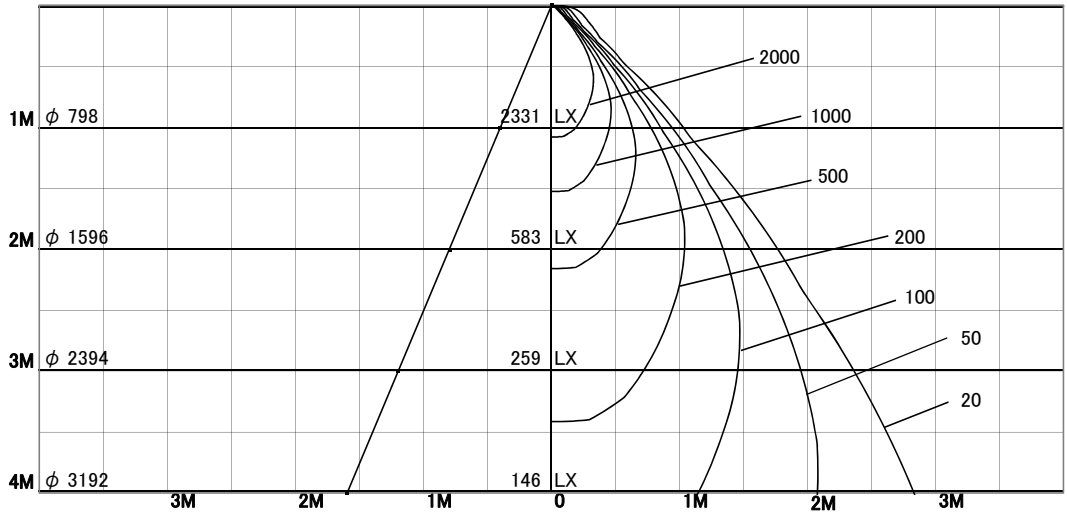
1/2照度角

直射水平面照度

単位:Lx

| | | |
|--------|-------|------|
| 色温度 | 4000K | |
| 演色評価指数 | Ra85 | |
| 保守率 | 良 | 0.8 |
| | 中 | 0.6 |
| | 否 | 0.54 |

| | | |
|--------|------|-----|
| 1/2照度角 | | |
| A-A' | 43.5 | Deg |
| C-C' | 43.5 | Deg |
| 最大取付間隔 | | |
| A-A' | 0.80 | H |
| C-C' | 0.80 | H |



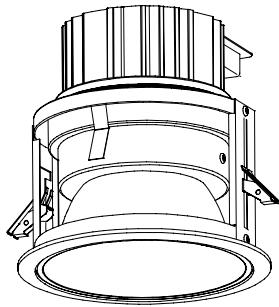
照明率表

| 天井 | 80% | | | | 70% | | | | 50% | | | | 30% | | | | 0% |
|-------|-----|-----|-----|-----|-----|-----|-----|-----|-----|-----|-----|-----|-----|-----|-----|-----|----|
| | 70% | 50% | 30% | 10% | 70% | 50% | 30% | 10% | 70% | 50% | 30% | 10% | 70% | 50% | 30% | 10% | 0% |
| 壁 | 10% | | | | | | | | | | | | | | | | 0% |
| 床 | 10% | | | | | | | | | | | | | | | | 0% |
| 0.60 | 77 | 72 | 68 | 65 | 77 | 71 | 68 | 65 | 75 | 71 | 67 | 65 | 74 | 70 | 67 | 65 | 64 |
| 0.80 | 82 | 77 | 73 | 70 | 81 | 76 | 73 | 70 | 80 | 76 | 72 | 70 | 79 | 75 | 72 | 70 | 69 |
| 1.00 | 86 | 82 | 78 | 76 | 85 | 81 | 78 | 75 | 84 | 80 | 77 | 75 | 82 | 79 | 77 | 75 | 73 |
| 1.25 | 89 | 85 | 82 | 80 | 88 | 85 | 82 | 79 | 87 | 84 | 81 | 79 | 85 | 82 | 80 | 78 | 77 |
| 1.50 | 91 | 88 | 85 | 83 | 91 | 87 | 84 | 82 | 89 | 86 | 84 | 82 | 87 | 85 | 83 | 81 | 80 |
| 2.00 | 95 | 92 | 90 | 88 | 94 | 91 | 89 | 87 | 92 | 90 | 88 | 87 | 90 | 89 | 87 | 86 | 84 |
| 2.50 | 96 | 94 | 93 | 91 | 96 | 94 | 92 | 91 | 94 | 92 | 91 | 90 | 92 | 91 | 90 | 89 | 87 |
| 3.00 | 98 | 96 | 95 | 94 | 97 | 95 | 94 | 93 | 95 | 94 | 93 | 92 | 93 | 92 | 92 | 91 | 89 |
| 4.00 | 99 | 98 | 97 | 96 | 98 | 97 | 96 | 95 | 96 | 95 | 95 | 94 | 94 | 94 | 93 | 93 | 91 |
| 5.00 | 100 | 99 | 98 | 97 | 99 | 98 | 97 | 97 | 97 | 96 | 96 | 95 | 95 | 95 | 94 | 94 | 92 |
| 7.00 | 100 | 100 | 99 | 99 | 99 | 99 | 99 | 98 | 97 | 97 | 97 | 97 | 96 | 96 | 95 | 95 | 93 |
| 10.00 | 101 | 101 | 100 | 100 | 100 | 100 | 99 | 99 | 98 | 98 | 98 | 98 | 96 | 96 | 96 | 96 | 93 |

屋内照明器具特性

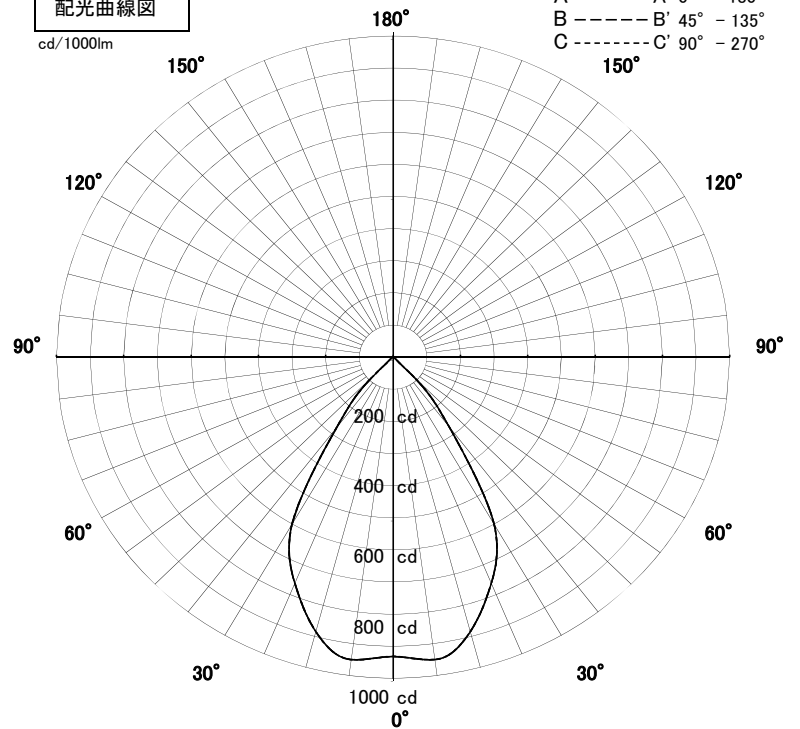


| | | | |
|----------------|--------------------|----|--------------------|
| 品名 | DD-3320 | | |
| 光源 | LECF/18L-W16GH3085 | | |
| 実効光束 (器具光束) | 1605lm | 効率 | 86.7lm/W (100V) |



配光曲線図

cd/1000lm



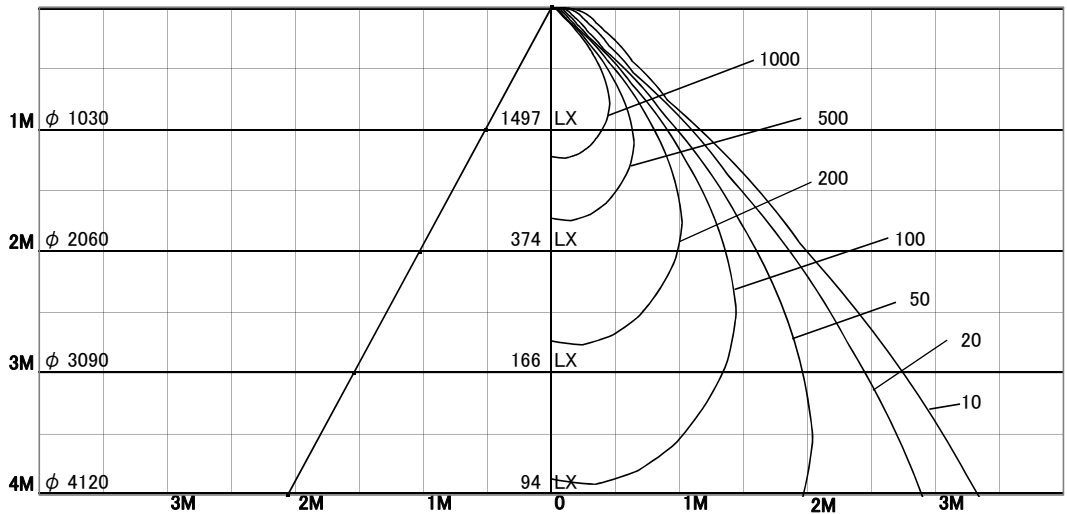
1/2照度角

直射水平面照度

単位:Lx

| | | |
|--------|-------|------|
| 色温度 | 3000K | |
| 演色評価指数 | Ra85 | |
| 保守率 | 良 | 0.8 |
| | 中 | 0.6 |
| | 否 | 0.54 |

| | | |
|--------|------|-----|
| 1/2照度角 | | |
| A-A' | 54.5 | Deg |
| C-C' | 54.5 | Deg |
| 最大取付間隔 | | |
| A-A' | 1.03 | H |
| C-C' | 1.03 | H |



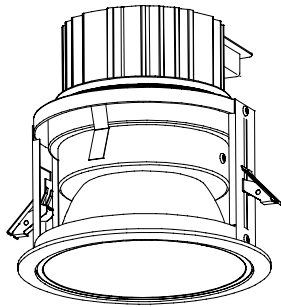
照明率表

| 天井 | 80% | | | | 70% | | | | 50% | | | | 30% | | | | 0% |
|-------|-----|-----|-----|-----|-----|-----|-----|-----|-----|-----|-----|-----|-----|-----|-----|-----|----|
| | 70% | 50% | 30% | 10% | 70% | 50% | 30% | 10% | 70% | 50% | 30% | 10% | 70% | 50% | 30% | 10% | 0% |
| 壁 | 10% | | | | | | | | | | | | | | | | 0% |
| 床 | 10% | | | | | | | | | | | | | | | | 0% |
| 0.60 | 78 | 72 | 68 | 65 | 78 | 72 | 68 | 65 | 76 | 71 | 68 | 65 | 75 | 70 | 67 | 65 | 64 |
| 0.80 | 84 | 78 | 74 | 71 | 83 | 78 | 74 | 71 | 81 | 77 | 73 | 71 | 80 | 76 | 73 | 70 | 69 |
| 1.00 | 88 | 83 | 79 | 77 | 87 | 83 | 79 | 76 | 86 | 82 | 78 | 76 | 84 | 81 | 78 | 76 | 74 |
| 1.25 | 92 | 87 | 84 | 81 | 91 | 87 | 83 | 81 | 89 | 85 | 83 | 80 | 87 | 84 | 82 | 80 | 78 |
| 1.50 | 94 | 90 | 87 | 84 | 93 | 89 | 86 | 84 | 91 | 88 | 86 | 84 | 89 | 87 | 85 | 83 | 81 |
| 2.00 | 97 | 94 | 92 | 90 | 96 | 94 | 91 | 90 | 95 | 92 | 90 | 89 | 93 | 91 | 89 | 88 | 86 |
| 2.50 | 99 | 97 | 95 | 94 | 98 | 96 | 95 | 93 | 97 | 95 | 93 | 92 | 95 | 93 | 92 | 91 | 89 |
| 3.00 | 101 | 99 | 97 | 96 | 100 | 98 | 97 | 95 | 98 | 97 | 95 | 94 | 96 | 95 | 94 | 93 | 91 |
| 4.00 | 102 | 101 | 100 | 99 | 101 | 100 | 99 | 98 | 99 | 98 | 97 | 97 | 97 | 97 | 96 | 95 | 93 |
| 5.00 | 103 | 102 | 101 | 100 | 102 | 101 | 100 | 99 | 100 | 99 | 98 | 98 | 98 | 97 | 97 | 96 | 94 |
| 7.00 | 103 | 103 | 102 | 102 | 102 | 102 | 101 | 101 | 101 | 100 | 100 | 99 | 99 | 98 | 98 | 98 | 95 |
| 10.00 | 104 | 104 | 103 | 103 | 103 | 103 | 102 | 102 | 101 | 101 | 101 | 100 | 99 | 99 | 99 | 99 | 96 |

屋内照明器具特性

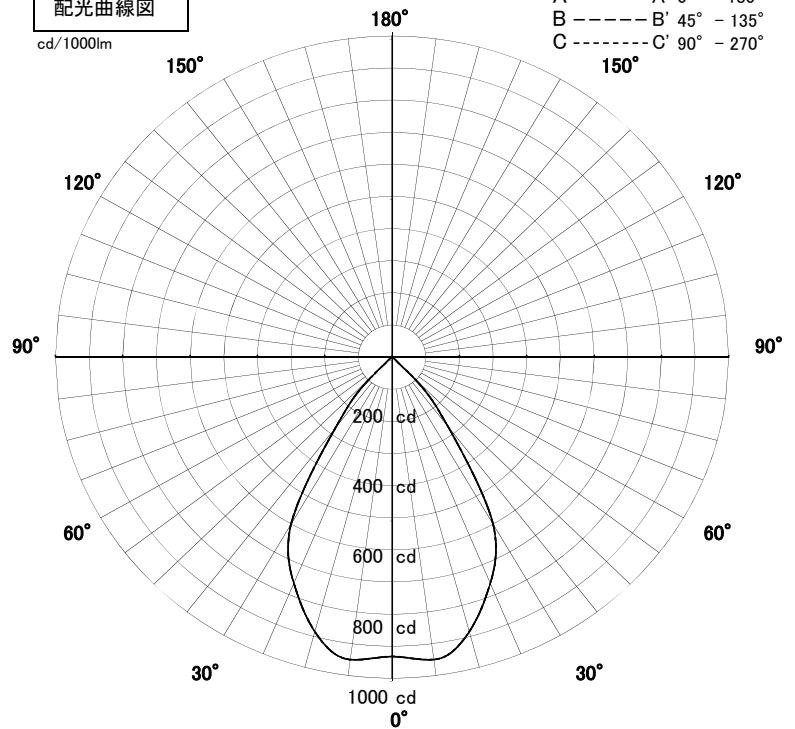


| | | | |
|----------------|--------------------|----|--------------------|
| 品名 | DD-3320 | | |
| 光源 | LECF/18L-W16GH3085 | | |
| 実効光束 (器具光束) | 1605lm | 効率 | 88.2lm/W (200V) |



配光曲線図

cd/1000lm



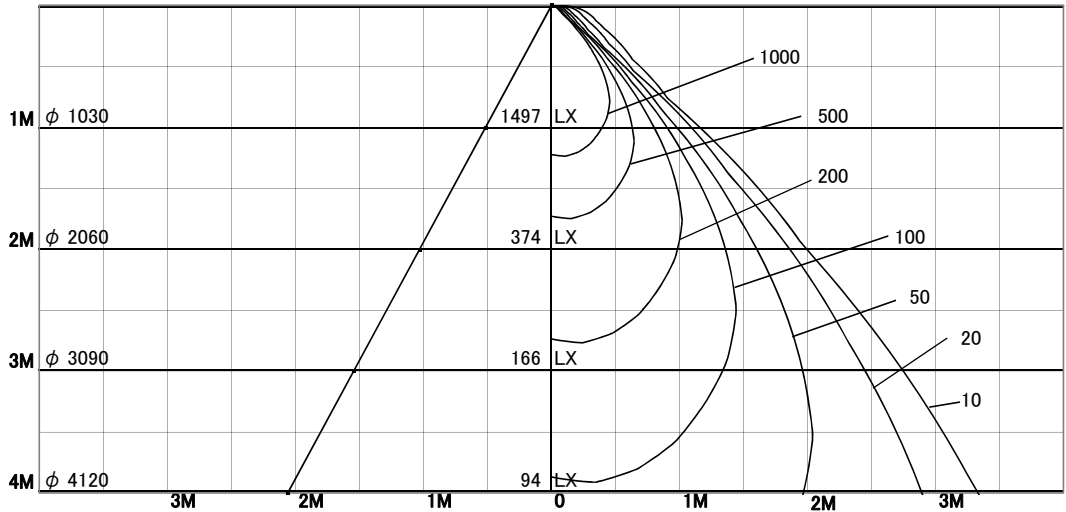
1/2照度角

直射水平面照度

単位:Lx

| | | |
|--------|-------|------|
| 色温度 | 3000K | |
| 演色評価指数 | Ra85 | |
| 保守率 | 良 | 0.8 |
| | 中 | 0.6 |
| | 否 | 0.54 |

| | | |
|--------|------|-----|
| 1/2照度角 | | |
| A-A' | 54.5 | Deg |
| C-C' | 54.5 | Deg |
| 最大取付間隔 | | |
| A-A' | 1.03 | H |
| C-C' | 1.03 | H |



照明率表

| 天井 | 80% | | | | 70% | | | | 50% | | | | 30% | | | | 0% |
|-------|-----|-----|-----|-----|-----|-----|-----|-----|-----|-----|-----|-----|-----|-----|-----|-----|----|
| | 70% | 50% | 30% | 10% | 70% | 50% | 30% | 10% | 70% | 50% | 30% | 10% | 70% | 50% | 30% | 10% | 0% |
| 壁 | 10% | | | | | | | | | | | | | | | | 0% |
| 床 | 10% | | | | | | | | | | | | | | | | 0% |
| 0.60 | 78 | 72 | 68 | 65 | 78 | 72 | 68 | 65 | 76 | 71 | 68 | 65 | 75 | 70 | 67 | 65 | 64 |
| 0.80 | 84 | 78 | 74 | 71 | 83 | 78 | 74 | 71 | 81 | 77 | 73 | 71 | 80 | 76 | 73 | 70 | 69 |
| 1.00 | 88 | 83 | 79 | 77 | 87 | 83 | 79 | 76 | 86 | 82 | 78 | 76 | 84 | 81 | 78 | 76 | 74 |
| 1.25 | 92 | 87 | 84 | 81 | 91 | 87 | 83 | 81 | 89 | 85 | 83 | 80 | 87 | 84 | 82 | 80 | 78 |
| 1.50 | 94 | 90 | 87 | 84 | 93 | 89 | 86 | 84 | 91 | 88 | 86 | 84 | 89 | 87 | 85 | 83 | 81 |
| 2.00 | 97 | 94 | 92 | 90 | 96 | 94 | 91 | 90 | 95 | 92 | 90 | 89 | 93 | 91 | 89 | 88 | 86 |
| 2.50 | 99 | 97 | 95 | 94 | 98 | 96 | 95 | 93 | 97 | 95 | 93 | 92 | 95 | 93 | 92 | 91 | 89 |
| 3.00 | 101 | 99 | 97 | 96 | 100 | 98 | 97 | 95 | 98 | 97 | 95 | 94 | 96 | 95 | 94 | 93 | 91 |
| 4.00 | 102 | 101 | 100 | 99 | 101 | 100 | 99 | 98 | 99 | 98 | 97 | 97 | 97 | 97 | 96 | 95 | 93 |
| 5.00 | 103 | 102 | 101 | 100 | 102 | 101 | 100 | 99 | 100 | 99 | 98 | 98 | 98 | 97 | 97 | 96 | 94 |
| 7.00 | 103 | 103 | 102 | 102 | 102 | 102 | 101 | 101 | 101 | 100 | 100 | 99 | 99 | 98 | 98 | 98 | 95 |
| 10.00 | 104 | 104 | 103 | 103 | 103 | 103 | 102 | 102 | 101 | 101 | 101 | 100 | 99 | 99 | 99 | 99 | 96 |

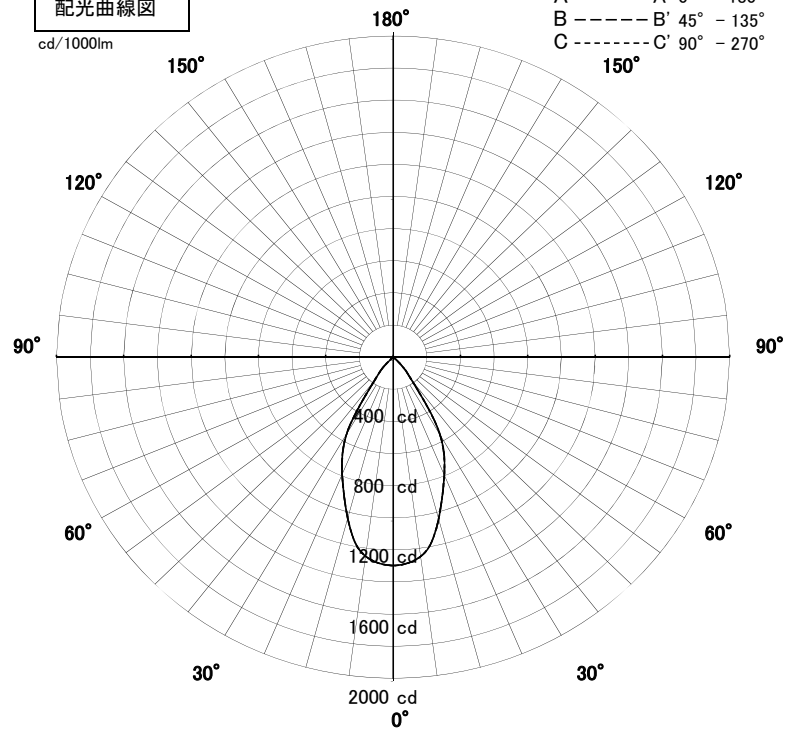
屋内照明器具特性



| | | | |
|----------------|--------------------|----|--------------------|
| 品名 | DD-3320 | | |
| 光源 | LECF/18L-M16GH3085 | | |
| 実効光束 (器具光束) | 1668lm | 効率 | 90.1lm/W (100V) |

配光曲線図

cd/1000lm



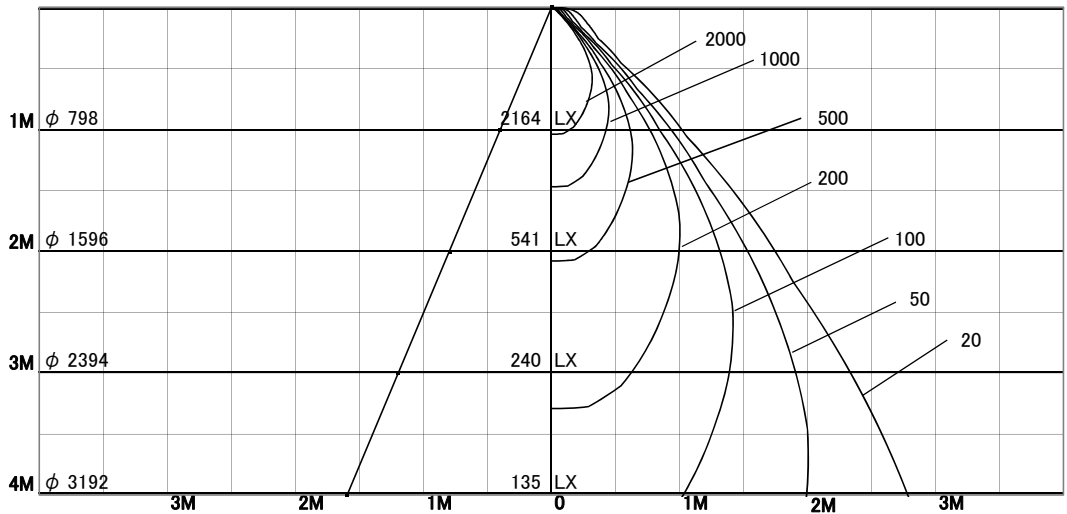
1/2照度角

直射水平面照度

単位:Lx

| | | |
|--------|-------|------|
| 色温度 | 3000K | |
| 演色評価指数 | Ra85 | |
| 保守率 | 良 | 0.8 |
| | 中 | 0.6 |
| | 否 | 0.54 |

| | | |
|--------|------|-----|
| 1/2照度角 | | |
| A-A' | 43.5 | Deg |
| C-C' | 43.5 | Deg |
| 最大取付間隔 | | |
| A-A' | 0.80 | H |
| C-C' | 0.80 | H |



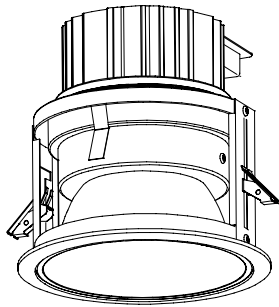
照明率表

| 天井 | 80% | | | | 70% | | | | 50% | | | | 30% | | | | 0% |
|-------|-----|-----|-----|-----|-----|-----|-----|-----|-----|-----|-----|-----|-----|-----|-----|-----|----|
| | 70% | 50% | 30% | 10% | 70% | 50% | 30% | 10% | 70% | 50% | 30% | 10% | 70% | 50% | 30% | 10% | 0% |
| 壁 | 10% | | | | | | | | | | | | | | | | 0% |
| 床 | 10% | | | | | | | | | | | | | | | | 0% |
| 0.60 | 77 | 72 | 68 | 65 | 77 | 71 | 68 | 65 | 75 | 71 | 67 | 65 | 74 | 70 | 67 | 65 | 64 |
| 0.80 | 82 | 77 | 73 | 70 | 81 | 76 | 73 | 70 | 80 | 76 | 72 | 70 | 79 | 75 | 72 | 70 | 69 |
| 1.00 | 86 | 82 | 78 | 76 | 85 | 81 | 78 | 75 | 84 | 80 | 77 | 75 | 82 | 79 | 77 | 75 | 73 |
| 1.25 | 89 | 85 | 82 | 80 | 88 | 85 | 82 | 79 | 87 | 84 | 81 | 79 | 85 | 82 | 80 | 78 | 77 |
| 1.50 | 91 | 88 | 85 | 83 | 90 | 87 | 84 | 82 | 89 | 86 | 84 | 82 | 87 | 85 | 83 | 81 | 80 |
| 2.00 | 95 | 92 | 90 | 88 | 94 | 91 | 89 | 87 | 92 | 90 | 88 | 87 | 90 | 89 | 87 | 86 | 84 |
| 2.50 | 96 | 94 | 93 | 91 | 96 | 94 | 92 | 91 | 94 | 92 | 91 | 90 | 92 | 91 | 90 | 89 | 87 |
| 3.00 | 98 | 96 | 95 | 94 | 97 | 95 | 94 | 93 | 95 | 94 | 93 | 92 | 93 | 92 | 92 | 91 | 89 |
| 4.00 | 99 | 98 | 97 | 96 | 98 | 97 | 96 | 95 | 96 | 95 | 95 | 94 | 94 | 94 | 93 | 93 | 91 |
| 5.00 | 100 | 99 | 98 | 97 | 99 | 98 | 97 | 97 | 97 | 96 | 96 | 95 | 95 | 95 | 94 | 94 | 92 |
| 7.00 | 100 | 100 | 99 | 99 | 99 | 99 | 99 | 98 | 97 | 97 | 97 | 97 | 96 | 96 | 95 | 95 | 93 |
| 10.00 | 101 | 101 | 100 | 100 | 100 | 100 | 99 | 99 | 98 | 98 | 98 | 98 | 96 | 96 | 96 | 96 | 93 |

屋内照明器具特性

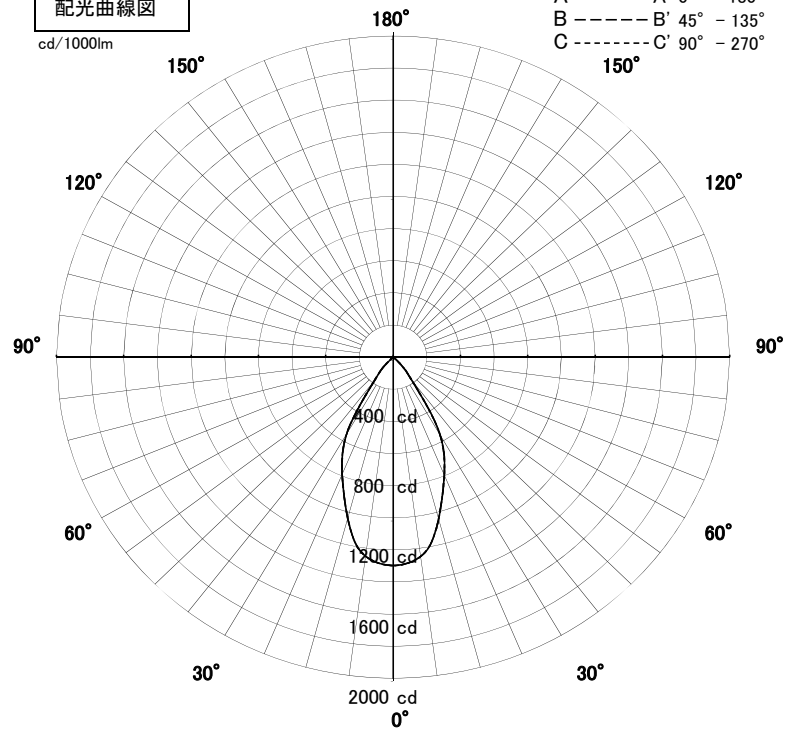


| | | | |
|----------------|--------------------|----|--------------------|
| 品名 | DD-3320 | | |
| 光源 | LECF/18L-M16GH3085 | | |
| 実効光束 (器具光束) | 1668lm | 効率 | 91.6lm/W (200V) |



配光曲線図

cd/1000lm



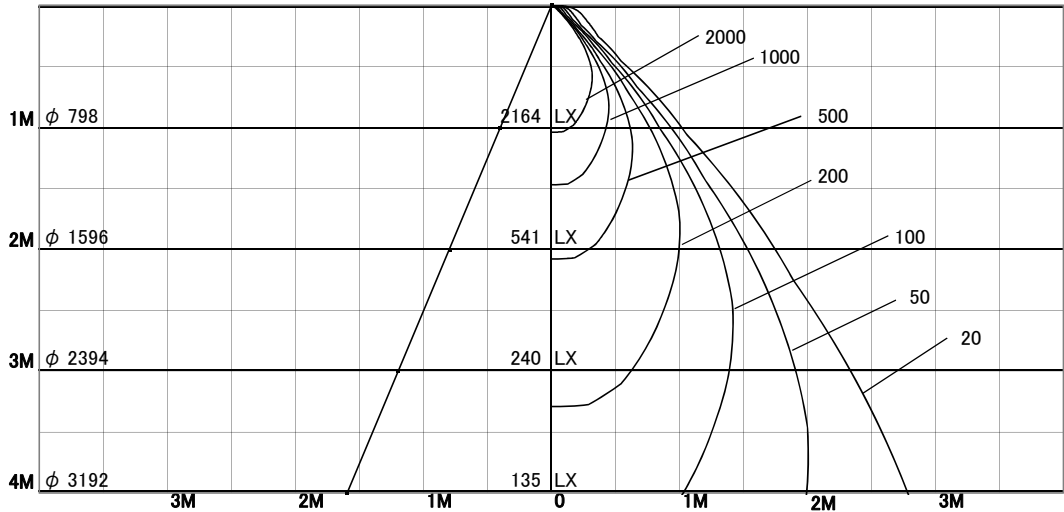
1/2照度角

直射水平面照度

単位:Lx

| | | |
|--------|-------|------|
| 色温度 | 3000K | |
| 演色評価指数 | Ra85 | |
| 保守率 | 良 | 0.8 |
| | 中 | 0.6 |
| | 否 | 0.54 |

| | | |
|--------|------|-----|
| 1/2照度角 | | |
| A-A' | 43.5 | Deg |
| C-C' | 43.5 | Deg |
| 最大取付間隔 | | |
| A-A' | 0.80 | H |
| C-C' | 0.80 | H |



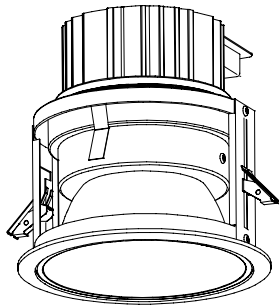
照明率表

| 天井 | 80% | | | | 70% | | | | 50% | | | | 30% | | | | 0% |
|-------|-----|-----|-----|-----|-----|-----|-----|-----|-----|-----|-----|-----|-----|-----|-----|-----|----|
| | 70% | 50% | 30% | 10% | 70% | 50% | 30% | 10% | 70% | 50% | 30% | 10% | 70% | 50% | 30% | 10% | 0% |
| 壁 | 10% | | | | | | | | | | | | | | | | 0% |
| 床 | 10% | | | | | | | | | | | | | | | | 0% |
| 0.60 | 77 | 72 | 68 | 65 | 77 | 71 | 68 | 65 | 75 | 71 | 67 | 65 | 74 | 70 | 67 | 65 | 64 |
| 0.80 | 82 | 77 | 73 | 70 | 81 | 76 | 73 | 70 | 80 | 76 | 72 | 70 | 79 | 75 | 72 | 70 | 69 |
| 1.00 | 86 | 82 | 78 | 76 | 85 | 81 | 78 | 75 | 84 | 80 | 77 | 75 | 82 | 79 | 77 | 75 | 73 |
| 1.25 | 89 | 85 | 82 | 80 | 88 | 85 | 82 | 79 | 87 | 84 | 81 | 79 | 85 | 82 | 80 | 78 | 77 |
| 1.50 | 91 | 88 | 85 | 83 | 90 | 87 | 84 | 82 | 89 | 86 | 84 | 82 | 87 | 85 | 83 | 81 | 80 |
| 2.00 | 95 | 92 | 90 | 88 | 94 | 91 | 89 | 87 | 92 | 90 | 88 | 87 | 90 | 89 | 87 | 86 | 84 |
| 2.50 | 96 | 94 | 93 | 91 | 96 | 94 | 92 | 91 | 94 | 92 | 91 | 90 | 92 | 91 | 90 | 89 | 87 |
| 3.00 | 98 | 96 | 95 | 94 | 97 | 95 | 94 | 93 | 95 | 94 | 93 | 92 | 93 | 92 | 92 | 91 | 89 |
| 4.00 | 99 | 98 | 97 | 96 | 98 | 97 | 96 | 95 | 96 | 95 | 95 | 94 | 94 | 94 | 93 | 93 | 91 |
| 5.00 | 100 | 99 | 98 | 97 | 99 | 98 | 97 | 97 | 97 | 96 | 96 | 95 | 95 | 95 | 94 | 94 | 92 |
| 7.00 | 100 | 100 | 99 | 99 | 99 | 99 | 99 | 98 | 97 | 97 | 97 | 97 | 96 | 96 | 95 | 95 | 93 |
| 10.00 | 101 | 101 | 100 | 100 | 100 | 100 | 99 | 99 | 98 | 98 | 98 | 98 | 96 | 96 | 96 | 96 | 93 |

屋内照明器具特性

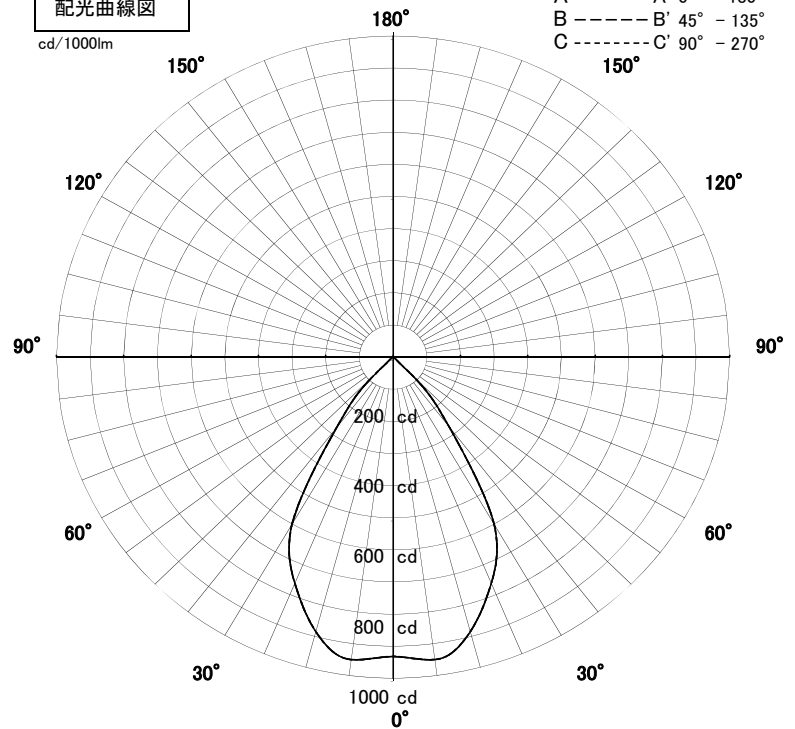


| | | | |
|----------------|---------------------|----|--------------------|
| 品名 | DD-3320 | | |
| 光源 | LECF/19N-W19GH5085P | | |
| 実効光束 (器具光束) | 1814lm | 効率 | 96.0lm/W (100V) |



配光曲線図

cd/1000lm



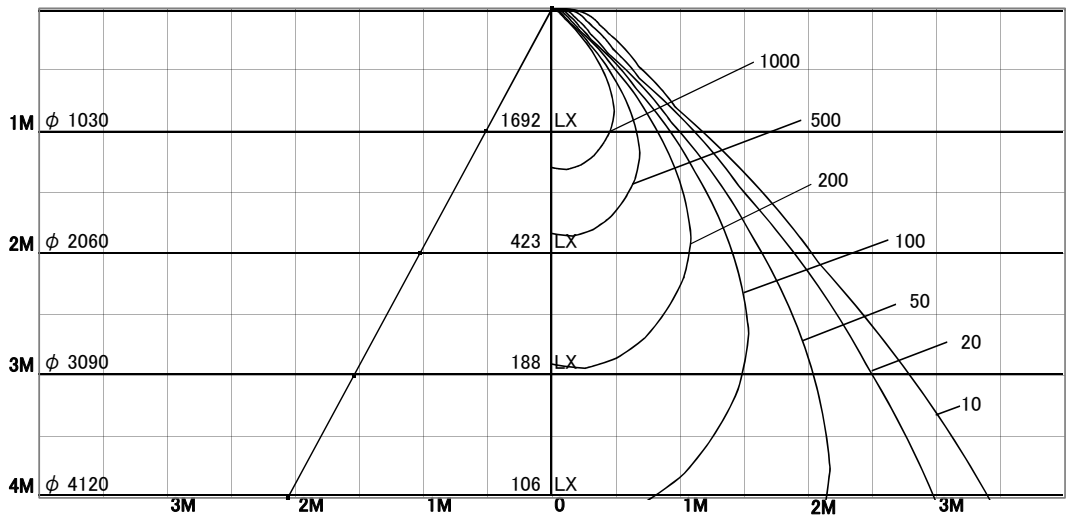
1/2照度角

直射水平面照度

単位:Lx

| | | |
|--------|-------|------|
| 色温度 | 5000K | |
| 演色評価指数 | Ra85 | |
| 保守率 | 良 | 0.8 |
| | 中 | 0.6 |
| | 否 | 0.54 |

| | | |
|--------|------|-----|
| 1/2照度角 | | |
| A-A' | 54.5 | Deg |
| C-C' | 54.5 | Deg |
| 最大取付間隔 | | |
| A-A' | 1.03 | H |
| C-C' | 1.03 | H |



照明率表

| 天井 | 80% | | | | 70% | | | | 50% | | | | 30% | | | | 0% |
|-------|-----|-----|-----|-----|-----|-----|-----|-----|-----|-----|-----|-----|-----|-----|-----|-----|----|
| | 70% | 50% | 30% | 10% | 70% | 50% | 30% | 10% | 70% | 50% | 30% | 10% | 70% | 50% | 30% | 10% | 0% |
| 壁 | 10% | | | | | | | | | | | | | | | | 0% |
| 床 | 10% | | | | | | | | | | | | | | | | 0% |
| 0.60 | 78 | 72 | 68 | 65 | 78 | 72 | 68 | 65 | 76 | 71 | 68 | 65 | 75 | 70 | 67 | 65 | 64 |
| 0.80 | 84 | 78 | 74 | 71 | 83 | 78 | 74 | 71 | 81 | 77 | 73 | 71 | 80 | 76 | 73 | 70 | 69 |
| 1.00 | 88 | 83 | 79 | 77 | 87 | 83 | 79 | 76 | 86 | 82 | 78 | 76 | 84 | 81 | 78 | 76 | 74 |
| 1.25 | 92 | 87 | 84 | 81 | 91 | 87 | 83 | 81 | 89 | 85 | 83 | 80 | 87 | 84 | 82 | 80 | 78 |
| 1.50 | 94 | 90 | 87 | 84 | 93 | 89 | 86 | 84 | 91 | 88 | 86 | 84 | 89 | 87 | 85 | 83 | 81 |
| 2.00 | 97 | 94 | 92 | 90 | 96 | 94 | 91 | 90 | 95 | 92 | 90 | 89 | 93 | 91 | 89 | 88 | 86 |
| 2.50 | 99 | 97 | 95 | 94 | 98 | 96 | 95 | 93 | 97 | 95 | 93 | 92 | 95 | 93 | 92 | 91 | 89 |
| 3.00 | 101 | 99 | 97 | 96 | 100 | 98 | 97 | 95 | 98 | 97 | 95 | 94 | 96 | 95 | 94 | 93 | 91 |
| 4.00 | 102 | 101 | 100 | 99 | 101 | 100 | 99 | 98 | 99 | 98 | 97 | 97 | 97 | 97 | 96 | 95 | 93 |
| 5.00 | 103 | 102 | 101 | 100 | 102 | 101 | 100 | 99 | 100 | 99 | 98 | 98 | 98 | 97 | 97 | 96 | 94 |
| 7.00 | 103 | 103 | 102 | 102 | 102 | 102 | 101 | 101 | 101 | 100 | 100 | 99 | 99 | 98 | 98 | 98 | 95 |
| 10.00 | 104 | 104 | 103 | 103 | 103 | 103 | 102 | 102 | 101 | 101 | 101 | 100 | 99 | 99 | 99 | 99 | 96 |

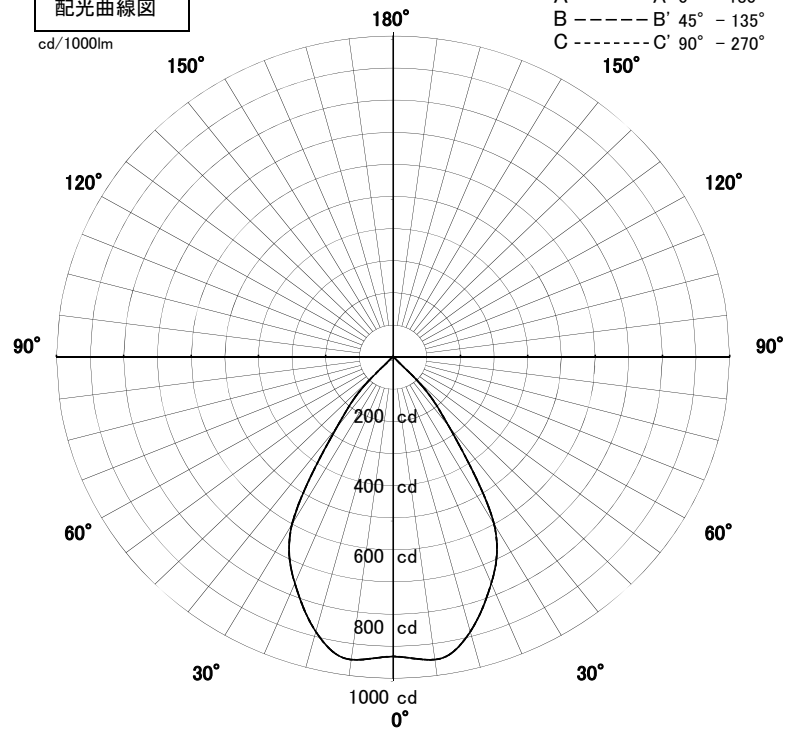
屋内照明器具特性



| | | | |
|----------------|---------------------|----|--------------------|
| 品名 | DD-3320 | | |
| 光源 | LECF/19N-W19GH5085P | | |
| 実効光束 (器具光束) | 1814lm | 効率 | 97.5lm/W (200V) |

配光曲線図

cd/1000lm



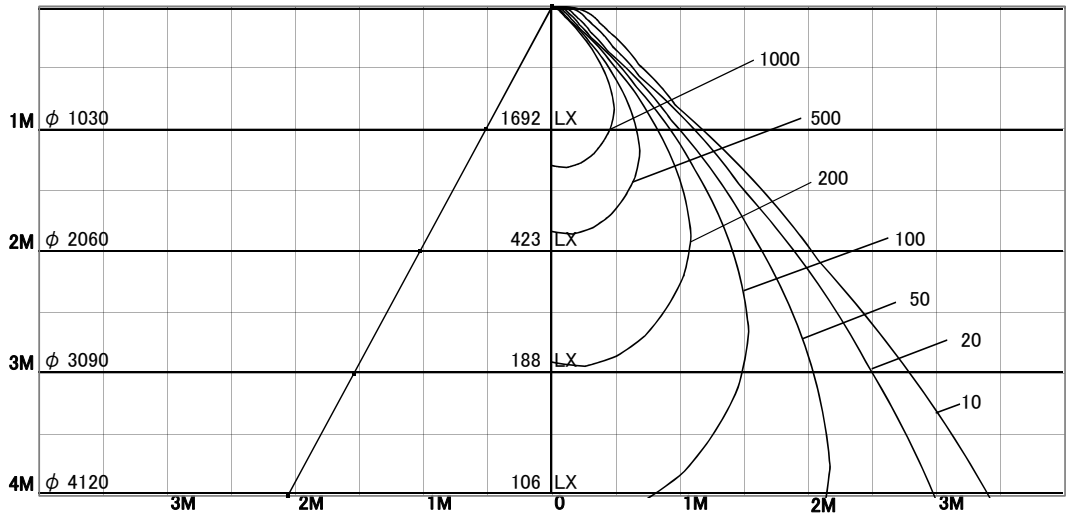
1/2照度角

直射水平面照度

単位:Lx

| | | |
|--------|-------|------|
| 色温度 | 5000K | |
| 演色評価指数 | Ra85 | |
| 保守率 | 良 | 0.8 |
| | 中 | 0.6 |
| | 否 | 0.54 |

| | | |
|--------|------|-----|
| 1/2照度角 | | |
| A-A' | 54.5 | Deg |
| C-C' | 54.5 | Deg |
| 最大取付間隔 | | |
| A-A' | 1.03 | H |
| C-C' | 1.03 | H |



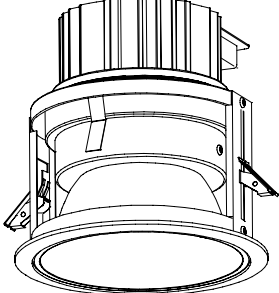
照明率表

| 天井 | 80% | | | | 70% | | | | 50% | | | | 30% | | | | 0% |
|-------|-----|-----|-----|-----|-----|-----|-----|-----|-----|-----|-----|-----|-----|-----|-----|-----|----|
| | 70% | 50% | 30% | 10% | 70% | 50% | 30% | 10% | 70% | 50% | 30% | 10% | 70% | 50% | 30% | 10% | 0% |
| 壁 | 10% | | | | | | | | | | | | | | | | 0% |
| 床 | 10% | | | | | | | | | | | | | | | | 0% |
| 0.60 | 78 | 72 | 68 | 65 | 78 | 72 | 68 | 65 | 76 | 71 | 68 | 65 | 75 | 70 | 67 | 65 | 64 |
| 0.80 | 84 | 78 | 74 | 71 | 83 | 78 | 74 | 71 | 81 | 77 | 73 | 71 | 80 | 76 | 73 | 70 | 69 |
| 1.00 | 88 | 83 | 79 | 77 | 87 | 83 | 79 | 76 | 86 | 82 | 78 | 76 | 84 | 81 | 78 | 76 | 74 |
| 1.25 | 92 | 87 | 84 | 81 | 91 | 87 | 83 | 81 | 89 | 85 | 83 | 80 | 87 | 84 | 82 | 80 | 78 |
| 1.50 | 94 | 90 | 87 | 84 | 93 | 89 | 86 | 84 | 91 | 88 | 86 | 84 | 89 | 87 | 85 | 83 | 81 |
| 2.00 | 97 | 94 | 92 | 90 | 96 | 94 | 91 | 90 | 95 | 92 | 90 | 89 | 93 | 91 | 89 | 88 | 86 |
| 2.50 | 99 | 97 | 95 | 94 | 98 | 96 | 95 | 93 | 97 | 95 | 93 | 92 | 95 | 93 | 92 | 91 | 89 |
| 3.00 | 101 | 99 | 97 | 96 | 100 | 98 | 97 | 95 | 98 | 97 | 95 | 94 | 96 | 95 | 94 | 93 | 91 |
| 4.00 | 102 | 101 | 100 | 99 | 101 | 100 | 99 | 98 | 99 | 98 | 97 | 97 | 97 | 97 | 96 | 95 | 93 |
| 5.00 | 103 | 102 | 101 | 100 | 102 | 101 | 100 | 99 | 100 | 99 | 98 | 98 | 98 | 97 | 97 | 96 | 94 |
| 7.00 | 103 | 103 | 102 | 102 | 102 | 102 | 101 | 101 | 101 | 100 | 100 | 99 | 99 | 98 | 98 | 98 | 95 |
| 10.00 | 104 | 104 | 103 | 103 | 103 | 103 | 102 | 102 | 101 | 101 | 101 | 100 | 99 | 99 | 99 | 99 | 96 |

屋内照明器具特性

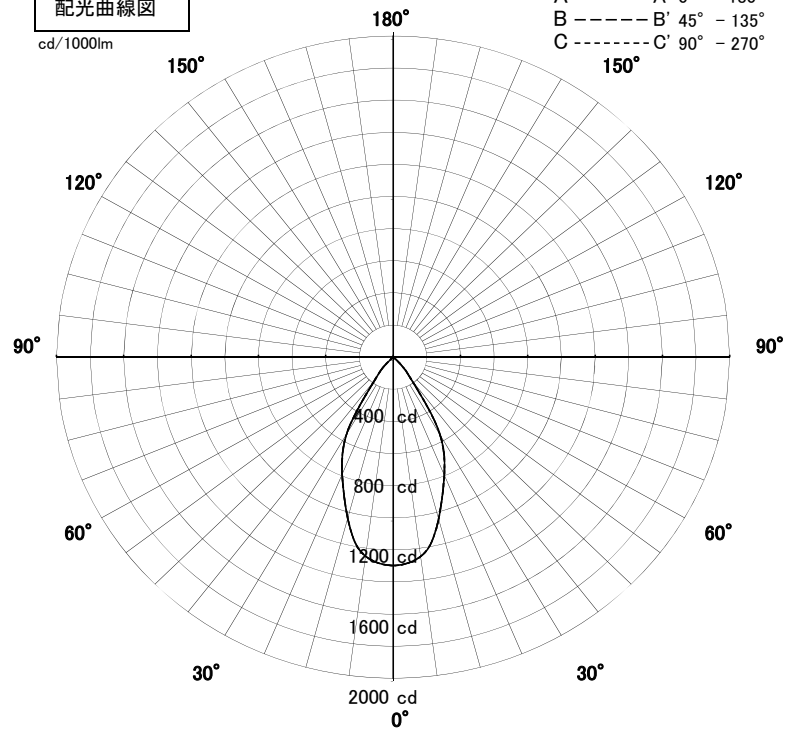


| | | | |
|----------------|---------------------|----|--------------------|
| 品名 | DD-3320 | | |
| 光源 | LECF/19N-M19GH5085P | | |
| 実効光束 (器具光束) | 1885lm | 効率 | 99.7lm/W (100V) |



配光曲線図

cd/1000lm



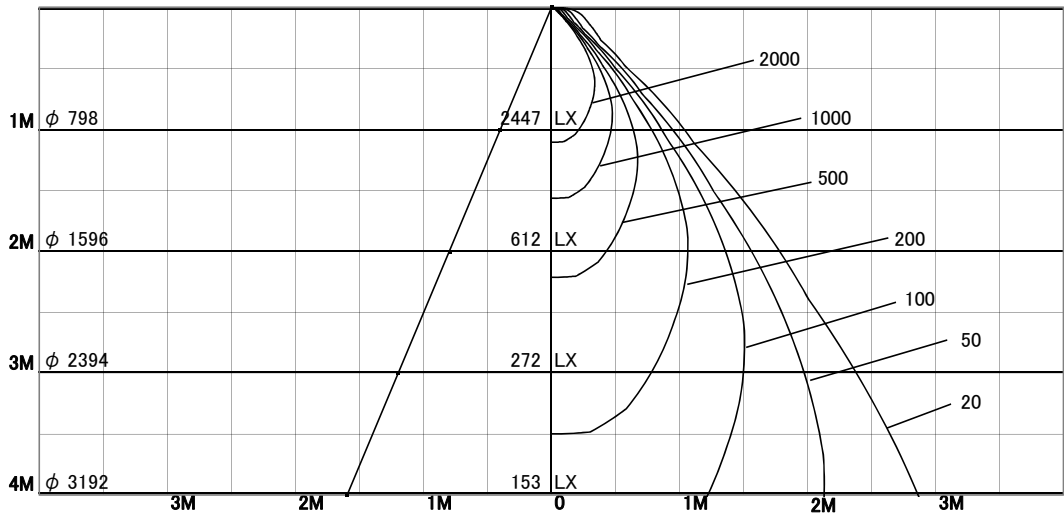
1/2照度角

直射水平面照度

単位: Lx

| | | |
|--------|-------|------|
| 色温度 | 5000K | |
| 演色評価指数 | Ra85 | |
| 保守率 | 良 | 0.8 |
| | 中 | 0.6 |
| | 否 | 0.54 |

| | | |
|--------|------|-----|
| 1/2照度角 | | |
| A-A' | 43.5 | Deg |
| C-C' | 43.5 | Deg |
| 最大取付間隔 | | |
| A-A' | 0.80 | H |
| C-C' | 0.80 | H |



照明率表

| 天井 | 80% | | | | 70% | | | | 50% | | | | 30% | | | | 0% |
|-------|-----|-----|-----|-----|-----|-----|-----|-----|-----|-----|-----|-----|-----|-----|-----|-----|----|
| | 70% | 50% | 30% | 10% | 70% | 50% | 30% | 10% | 70% | 50% | 30% | 10% | 70% | 50% | 30% | 10% | 0% |
| 壁 | 10% | | | | | | | | | | | | | | | | 0% |
| 床 | 10% | | | | | | | | | | | | | | | | 0% |
| 0.60 | 77 | 72 | 68 | 65 | 77 | 71 | 68 | 65 | 75 | 71 | 67 | 65 | 74 | 70 | 67 | 65 | 64 |
| 0.80 | 82 | 77 | 73 | 70 | 81 | 76 | 73 | 70 | 80 | 76 | 72 | 70 | 79 | 75 | 72 | 70 | 69 |
| 1.00 | 86 | 82 | 78 | 76 | 85 | 81 | 78 | 75 | 84 | 80 | 77 | 75 | 82 | 79 | 77 | 75 | 73 |
| 1.25 | 89 | 85 | 82 | 80 | 88 | 85 | 82 | 79 | 87 | 84 | 81 | 79 | 85 | 82 | 80 | 78 | 77 |
| 1.50 | 91 | 88 | 85 | 83 | 91 | 87 | 84 | 82 | 89 | 86 | 84 | 82 | 87 | 85 | 83 | 81 | 80 |
| 2.00 | 95 | 92 | 90 | 88 | 94 | 91 | 89 | 87 | 92 | 90 | 88 | 87 | 90 | 89 | 87 | 86 | 84 |
| 2.50 | 96 | 94 | 93 | 91 | 96 | 94 | 92 | 91 | 94 | 92 | 91 | 90 | 92 | 91 | 90 | 89 | 87 |
| 3.00 | 98 | 96 | 95 | 94 | 97 | 95 | 94 | 93 | 95 | 94 | 93 | 92 | 93 | 92 | 92 | 91 | 89 |
| 4.00 | 99 | 98 | 97 | 96 | 98 | 97 | 96 | 95 | 96 | 95 | 95 | 94 | 94 | 94 | 93 | 93 | 91 |
| 5.00 | 100 | 99 | 98 | 97 | 99 | 98 | 97 | 97 | 97 | 96 | 96 | 95 | 95 | 95 | 94 | 94 | 92 |
| 7.00 | 100 | 100 | 99 | 99 | 99 | 99 | 99 | 98 | 97 | 97 | 97 | 97 | 96 | 96 | 95 | 95 | 93 |
| 10.00 | 101 | 101 | 100 | 100 | 100 | 100 | 99 | 99 | 98 | 98 | 98 | 98 | 96 | 96 | 96 | 96 | 93 |

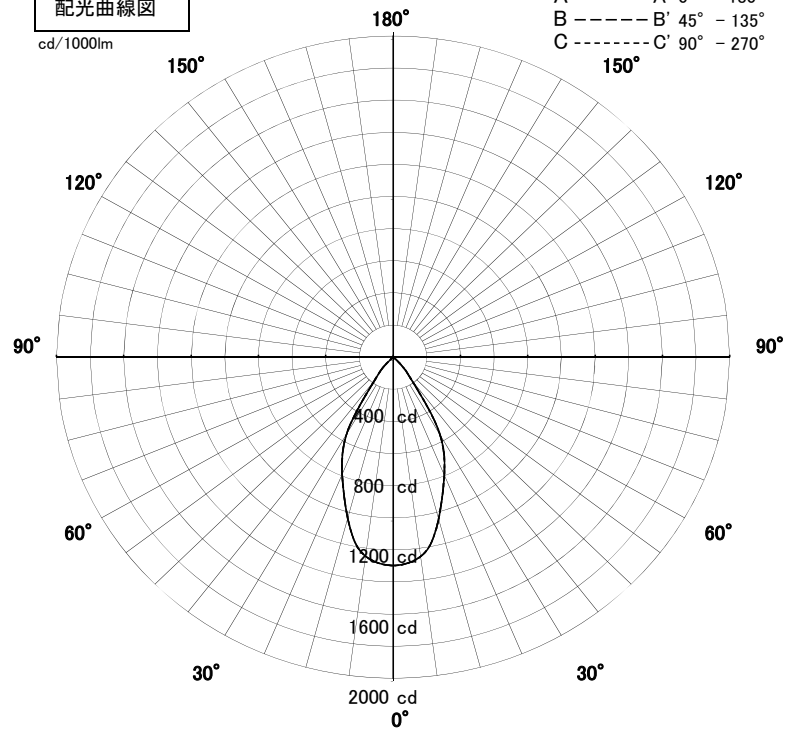
屋内照明器具特性



| | | | |
|----------------|---------------------|----|---------------------|
| 品名 | DD-3320 | | |
| 光源 | LECF/19N-M19GH5085P | | |
| 実効光束 (器具光束) | 1885lm | 効率 | 101.3lm/W (200V) |

配光曲線図

cd/1000lm



A ——— A' 0° - 180°
 B - - - - B' 45° - 135°
 C - - - - C' 90° - 270°

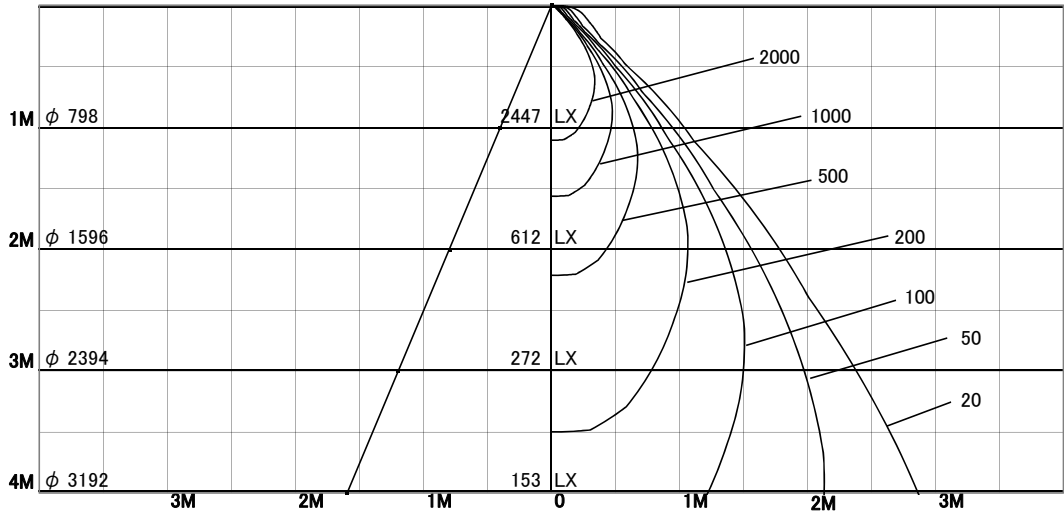
1/2照度角

直射水平面照度

単位: Lx

| | | |
|--------|-------|------|
| 色温度 | 5000K | |
| 演色評価指数 | Ra85 | |
| 保守率 | 良 | 0.8 |
| | 中 | 0.6 |
| | 否 | 0.54 |

| | | |
|--------|------|-----|
| 1/2照度角 | | |
| A-A' | 43.5 | Deg |
| C-C' | 43.5 | Deg |
| 最大取付間隔 | | |
| A-A' | 0.80 | H |
| C-C' | 0.80 | H |



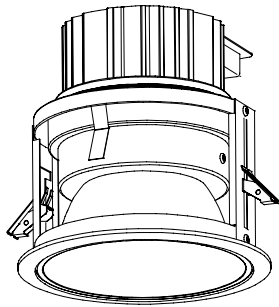
照明率表

| 天井 | 80% | | | | 70% | | | | 50% | | | | 30% | | | | 0% |
|-------|-----|-----|-----|-----|-----|-----|-----|-----|-----|-----|-----|-----|-----|-----|-----|-----|----|
| | 70% | 50% | 30% | 10% | 70% | 50% | 30% | 10% | 70% | 50% | 30% | 10% | 70% | 50% | 30% | 10% | 0% |
| 壁 | 10% | | | | | | | | | | | | | | | | 0% |
| 床 | 10% | | | | | | | | | | | | | | | | 0% |
| 0.60 | 77 | 72 | 68 | 65 | 77 | 71 | 68 | 65 | 75 | 71 | 67 | 65 | 74 | 70 | 67 | 65 | 64 |
| 0.80 | 82 | 77 | 73 | 70 | 81 | 76 | 73 | 70 | 80 | 76 | 72 | 70 | 79 | 75 | 72 | 70 | 69 |
| 1.00 | 86 | 82 | 78 | 76 | 85 | 81 | 78 | 75 | 84 | 80 | 77 | 75 | 82 | 79 | 77 | 75 | 73 |
| 1.25 | 89 | 85 | 82 | 80 | 88 | 85 | 82 | 79 | 87 | 84 | 81 | 79 | 85 | 82 | 80 | 78 | 77 |
| 1.50 | 91 | 88 | 85 | 83 | 91 | 87 | 84 | 82 | 89 | 86 | 84 | 82 | 87 | 85 | 83 | 81 | 80 |
| 2.00 | 95 | 92 | 90 | 88 | 94 | 91 | 89 | 87 | 92 | 90 | 88 | 87 | 90 | 89 | 87 | 86 | 84 |
| 2.50 | 96 | 94 | 93 | 91 | 96 | 94 | 92 | 91 | 94 | 92 | 91 | 90 | 92 | 91 | 90 | 89 | 87 |
| 3.00 | 98 | 96 | 95 | 94 | 97 | 95 | 94 | 93 | 95 | 94 | 93 | 92 | 93 | 92 | 92 | 91 | 89 |
| 4.00 | 99 | 98 | 97 | 96 | 98 | 97 | 96 | 95 | 96 | 95 | 95 | 94 | 94 | 94 | 93 | 93 | 91 |
| 5.00 | 100 | 99 | 98 | 97 | 99 | 98 | 97 | 97 | 97 | 96 | 96 | 95 | 95 | 95 | 94 | 94 | 92 |
| 7.00 | 100 | 100 | 99 | 99 | 99 | 99 | 99 | 98 | 97 | 97 | 97 | 97 | 96 | 96 | 95 | 95 | 93 |
| 10.00 | 101 | 101 | 100 | 100 | 100 | 100 | 99 | 99 | 98 | 98 | 98 | 98 | 96 | 96 | 96 | 96 | 93 |

屋内照明器具特性

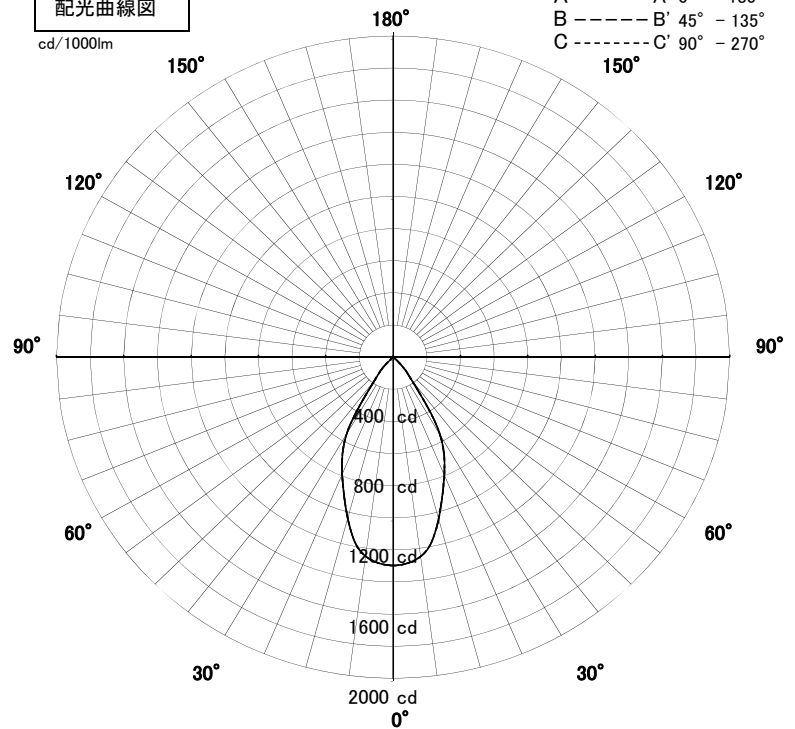


| | | | |
|----------------|---------------------|----|--------------------|
| 品名 | DD-3320 | | |
| 光源 | LECF/19W-M18GH4085P | | |
| 実効光束 (器具光束) | 1796lm | 効率 | 95.0lm/W (100V) |



配光曲線図

cd/1000lm



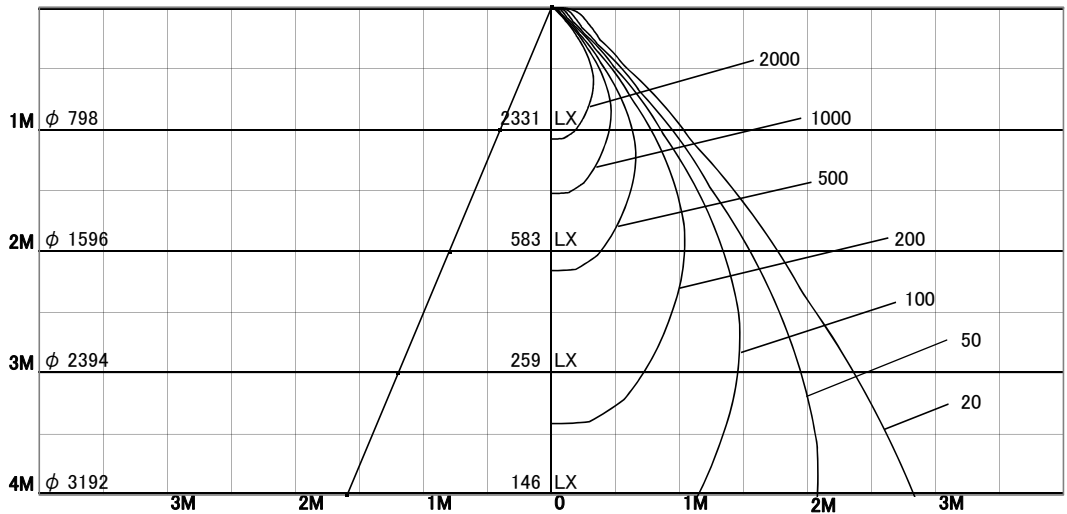
1/2照度角

直射水平面照度

単位:Lx

| | | |
|--------|-------|------|
| 色温度 | 4000K | |
| 演色評価指数 | Ra85 | |
| 保守率 | 良 | 0.8 |
| | 中 | 0.6 |
| | 否 | 0.54 |

| | | |
|--------|------|-----|
| 1/2照度角 | | |
| A-A' | 43.5 | Deg |
| C-C' | 43.5 | Deg |
| 最大取付間隔 | | |
| A-A' | 0.80 | H |
| C-C' | 0.80 | H |



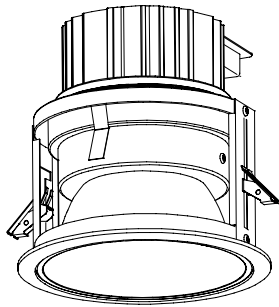
照明率表

| 天井 | 80% | | | | 70% | | | | 50% | | | | 30% | | | | 0% |
|-------|-----|-----|-----|-----|-----|-----|-----|-----|-----|-----|-----|-----|-----|-----|-----|-----|----|
| | 70% | 50% | 30% | 10% | 70% | 50% | 30% | 10% | 70% | 50% | 30% | 10% | 70% | 50% | 30% | 10% | 0% |
| 壁 | 10% | | | | | | | | | | | | | | | | 0% |
| 床 | 10% | | | | | | | | | | | | | | | | 0% |
| 0.60 | 77 | 72 | 68 | 65 | 77 | 71 | 68 | 65 | 75 | 71 | 67 | 65 | 74 | 70 | 67 | 65 | 64 |
| 0.80 | 82 | 77 | 73 | 70 | 81 | 76 | 73 | 70 | 80 | 76 | 72 | 70 | 79 | 75 | 72 | 70 | 69 |
| 1.00 | 86 | 82 | 78 | 76 | 85 | 81 | 78 | 75 | 84 | 80 | 77 | 75 | 82 | 79 | 77 | 75 | 73 |
| 1.25 | 89 | 85 | 82 | 80 | 88 | 85 | 82 | 79 | 87 | 84 | 81 | 79 | 85 | 82 | 80 | 78 | 77 |
| 1.50 | 91 | 88 | 85 | 83 | 91 | 87 | 84 | 82 | 89 | 86 | 84 | 82 | 87 | 85 | 83 | 81 | 80 |
| 2.00 | 95 | 92 | 90 | 88 | 94 | 91 | 89 | 87 | 92 | 90 | 88 | 87 | 90 | 89 | 87 | 86 | 84 |
| 2.50 | 96 | 94 | 93 | 91 | 96 | 94 | 92 | 91 | 94 | 92 | 91 | 90 | 92 | 91 | 90 | 89 | 87 |
| 3.00 | 98 | 96 | 95 | 94 | 97 | 95 | 94 | 93 | 95 | 94 | 93 | 92 | 93 | 92 | 92 | 91 | 89 |
| 4.00 | 99 | 98 | 97 | 96 | 98 | 97 | 96 | 95 | 96 | 95 | 95 | 94 | 94 | 94 | 93 | 93 | 91 |
| 5.00 | 100 | 99 | 98 | 97 | 99 | 98 | 97 | 97 | 97 | 96 | 96 | 95 | 95 | 95 | 94 | 94 | 92 |
| 7.00 | 100 | 100 | 99 | 99 | 99 | 99 | 99 | 98 | 97 | 97 | 97 | 97 | 96 | 96 | 95 | 95 | 93 |
| 10.00 | 101 | 101 | 100 | 100 | 100 | 100 | 99 | 99 | 98 | 98 | 98 | 98 | 96 | 96 | 96 | 96 | 93 |

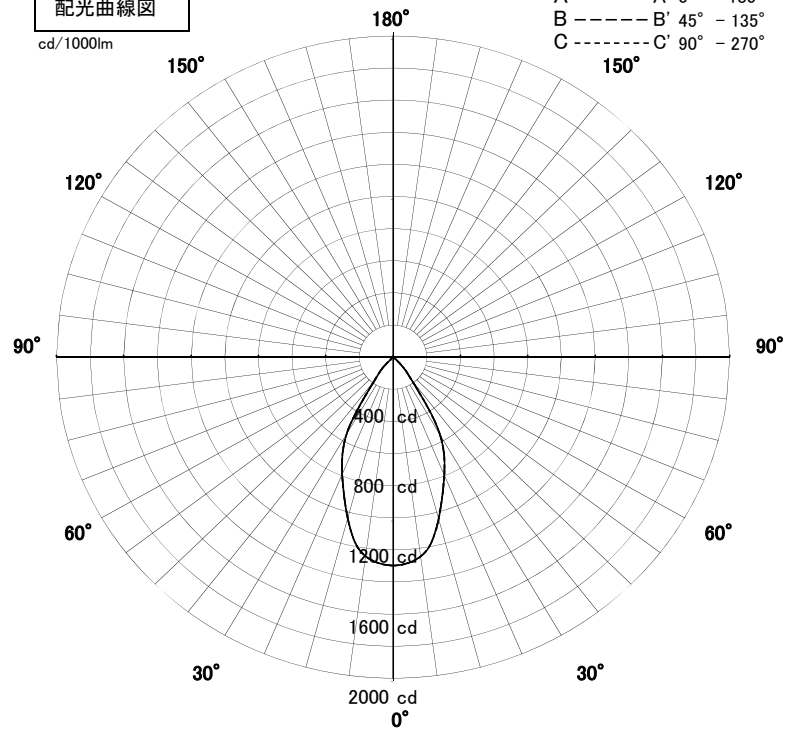
屋内照明器具特性



| | | | |
|----------------|---------------------|----|--------------------|
| 品名 | DD-3320 | | |
| 光源 | LECF/19W-M18GH4085P | | |
| 実効光束 (器具光束) | 1796lm | 効率 | 96.5lm/W (200V) |



配光曲線図
cd/1000lm



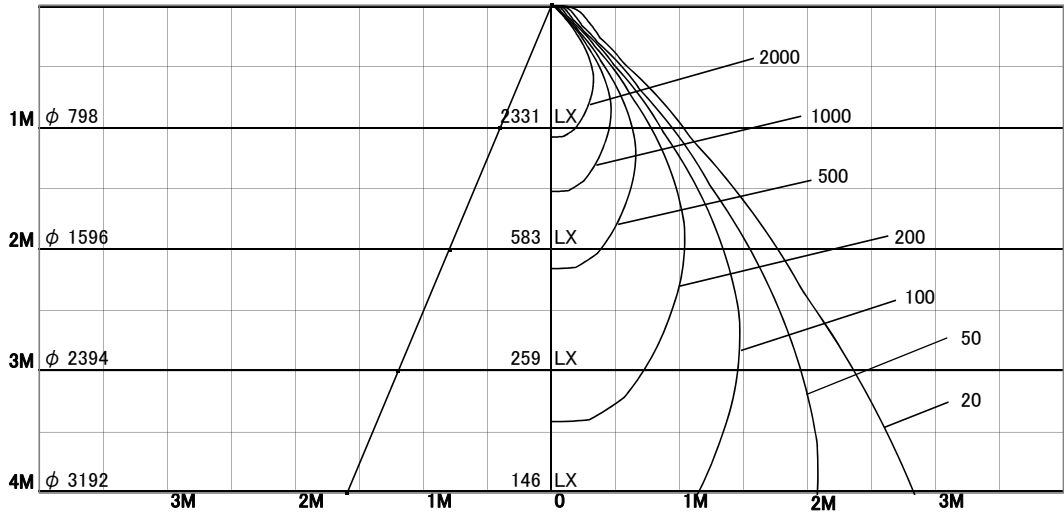
1/2照度角

直射水平面照度

単位:Lx

| | | |
|--------|-------|------|
| 色温度 | 4000K | |
| 演色評価指数 | Ra85 | |
| 保守率 | 良 | 0.8 |
| | 中 | 0.6 |
| | 否 | 0.54 |

| | | |
|--------|------|-----|
| 1/2照度角 | | |
| A-A' | 43.5 | Deg |
| C-C' | 43.5 | Deg |
| 最大取付間隔 | | |
| A-A' | 0.80 | H |
| C-C' | 0.80 | H |



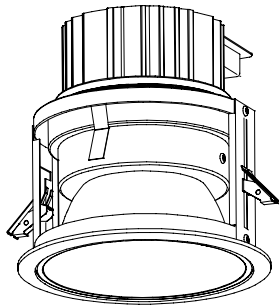
照明率表

| | 80% | | | | 70% | | | | 50% | | | | 30% | | | | 0% |
|-------|-----|-----|-----|-----|-----|-----|-----|-----|-----|-----|-----|-----|-----|-----|-----|-----|----|
| | 70% | 50% | 30% | 10% | 70% | 50% | 30% | 10% | 70% | 50% | 30% | 10% | 70% | 50% | 30% | 10% | 0% |
| 天井 | 10% | | | | | | | | | | | | | | | | 0% |
| 壁 | 10% | | | | | | | | | | | | | | | | 0% |
| 床 | 10% | | | | | | | | | | | | | | | | 0% |
| 0.60 | 77 | 72 | 68 | 65 | 77 | 71 | 68 | 65 | 75 | 71 | 67 | 65 | 74 | 70 | 67 | 65 | 64 |
| 0.80 | 82 | 77 | 73 | 70 | 81 | 76 | 73 | 70 | 80 | 76 | 72 | 70 | 79 | 75 | 72 | 70 | 69 |
| 1.00 | 86 | 82 | 78 | 76 | 85 | 81 | 78 | 75 | 84 | 80 | 77 | 75 | 82 | 79 | 77 | 75 | 73 |
| 1.25 | 89 | 85 | 82 | 80 | 88 | 85 | 82 | 79 | 87 | 84 | 81 | 79 | 85 | 82 | 80 | 78 | 77 |
| 1.50 | 91 | 88 | 85 | 83 | 91 | 87 | 84 | 82 | 89 | 86 | 84 | 82 | 87 | 85 | 83 | 81 | 80 |
| 2.00 | 95 | 92 | 90 | 88 | 94 | 91 | 89 | 87 | 92 | 90 | 88 | 87 | 90 | 89 | 87 | 86 | 84 |
| 2.50 | 96 | 94 | 93 | 91 | 96 | 94 | 92 | 91 | 94 | 92 | 91 | 90 | 92 | 91 | 90 | 89 | 87 |
| 3.00 | 98 | 96 | 95 | 94 | 97 | 95 | 94 | 93 | 95 | 94 | 93 | 92 | 93 | 92 | 92 | 91 | 89 |
| 4.00 | 99 | 98 | 97 | 96 | 98 | 97 | 96 | 95 | 96 | 95 | 95 | 94 | 94 | 94 | 93 | 93 | 91 |
| 5.00 | 100 | 99 | 98 | 97 | 99 | 98 | 97 | 97 | 97 | 96 | 96 | 95 | 95 | 95 | 94 | 94 | 92 |
| 7.00 | 100 | 100 | 99 | 99 | 99 | 99 | 99 | 98 | 97 | 97 | 97 | 97 | 96 | 96 | 95 | 95 | 93 |
| 10.00 | 101 | 101 | 100 | 100 | 100 | 100 | 99 | 99 | 98 | 98 | 98 | 98 | 96 | 96 | 96 | 96 | 93 |

屋内照明器具特性

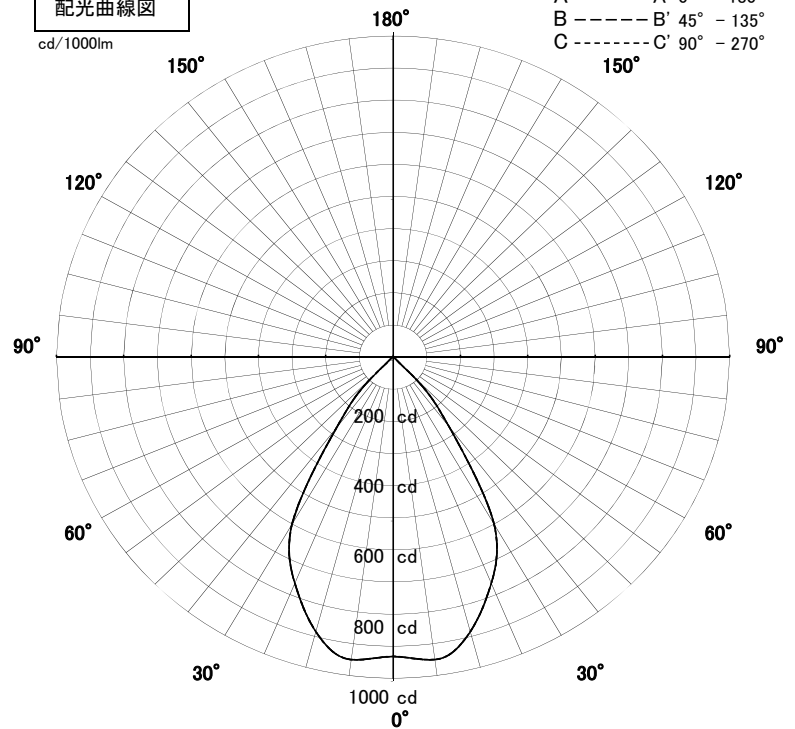


| | | | |
|----------------|---------------------|----|--------------------|
| 品名 | DD-3320 | | |
| 光源 | LECF/19L-W16GH3085P | | |
| 実効光束 (器具光束) | 1605lm | 効率 | 84.9lm/W (100V) |



配光曲線図

cd/1000lm



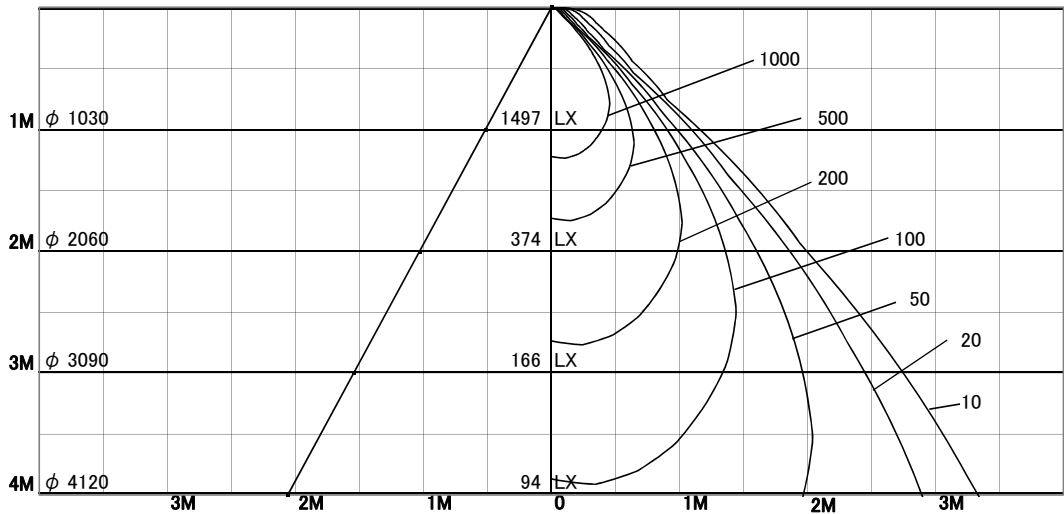
1/2照度角

直射水平面照度

単位:Lx

| | | |
|--------|-------|------|
| 色温度 | 3000K | |
| 演色評価指数 | Ra85 | |
| 保守率 | 良 | 0.8 |
| | 中 | 0.6 |
| | 否 | 0.54 |

| | | |
|--------|------|-----|
| 1/2照度角 | | |
| A-A' | 54.5 | Deg |
| C-C' | 54.5 | Deg |
| 最大取付間隔 | | |
| A-A' | 1.03 | H |
| C-C' | 1.03 | H |



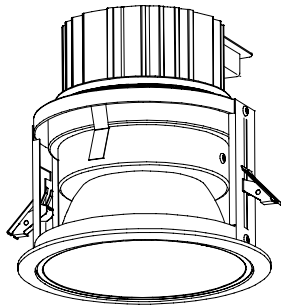
照明率表

| 天井 | 80% | | | | 70% | | | | 50% | | | | 30% | | | | 0% |
|-------|-----|-----|-----|-----|-----|-----|-----|-----|-----|-----|-----|-----|-----|-----|-----|-----|----|
| | 70% | 50% | 30% | 10% | 70% | 50% | 30% | 10% | 70% | 50% | 30% | 10% | 70% | 50% | 30% | 10% | 0% |
| 壁 | 10% | | | | | | | | | | | | | | | | 0% |
| 床 | 10% | | | | | | | | | | | | | | | | 0% |
| 0.60 | 78 | 72 | 68 | 65 | 78 | 72 | 68 | 65 | 76 | 71 | 68 | 65 | 75 | 70 | 67 | 65 | 64 |
| 0.80 | 84 | 78 | 74 | 71 | 83 | 78 | 74 | 71 | 81 | 77 | 73 | 71 | 80 | 76 | 73 | 70 | 69 |
| 1.00 | 88 | 83 | 79 | 77 | 87 | 83 | 79 | 76 | 86 | 82 | 78 | 76 | 84 | 81 | 78 | 76 | 74 |
| 1.25 | 92 | 87 | 84 | 81 | 91 | 87 | 83 | 81 | 89 | 85 | 83 | 80 | 87 | 84 | 82 | 80 | 78 |
| 1.50 | 94 | 90 | 87 | 84 | 93 | 89 | 86 | 84 | 91 | 88 | 86 | 84 | 89 | 87 | 85 | 83 | 81 |
| 2.00 | 97 | 94 | 92 | 90 | 96 | 94 | 91 | 90 | 95 | 92 | 90 | 89 | 93 | 91 | 89 | 88 | 86 |
| 2.50 | 99 | 97 | 95 | 94 | 98 | 96 | 95 | 93 | 97 | 95 | 93 | 92 | 95 | 93 | 92 | 91 | 89 |
| 3.00 | 101 | 99 | 97 | 96 | 100 | 98 | 97 | 95 | 98 | 97 | 95 | 94 | 96 | 95 | 94 | 93 | 91 |
| 4.00 | 102 | 101 | 100 | 99 | 101 | 100 | 99 | 98 | 99 | 98 | 97 | 97 | 97 | 97 | 96 | 95 | 93 |
| 5.00 | 103 | 102 | 101 | 100 | 102 | 101 | 100 | 99 | 100 | 99 | 98 | 98 | 98 | 97 | 97 | 96 | 94 |
| 7.00 | 103 | 103 | 102 | 102 | 102 | 102 | 101 | 101 | 101 | 100 | 100 | 99 | 99 | 98 | 98 | 98 | 95 |
| 10.00 | 104 | 104 | 103 | 103 | 103 | 103 | 102 | 102 | 101 | 101 | 101 | 100 | 99 | 99 | 99 | 99 | 96 |

屋内照明器具特性

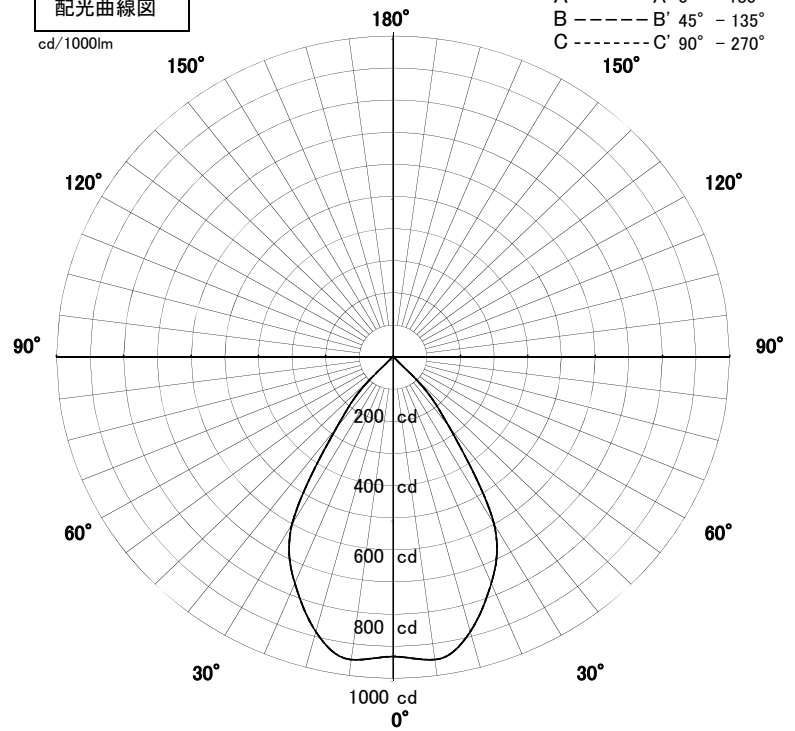


| | | | |
|----------------|---------------------|----|--------------------|
| 品名 | DD-3320 | | |
| 光源 | LECF/19L-W16GH3085P | | |
| 実効光束 (器具光束) | 1605lm | 効率 | 86.3lm/W (200V) |



配光曲線図

cd/1000lm



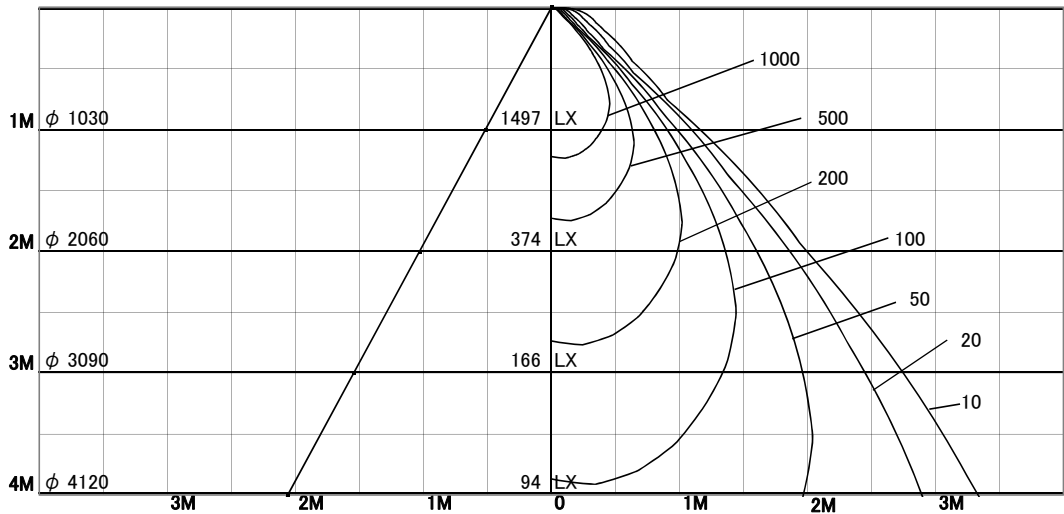
1/2照度角

直射水平面照度

単位:Lx

| | | |
|--------|-------|------|
| 色温度 | 3000K | |
| 演色評価指数 | Ra85 | |
| 保守率 | 良 | 0.8 |
| | 中 | 0.6 |
| | 否 | 0.54 |

| | | |
|--------|------|-----|
| 1/2照度角 | | |
| A-A' | 54.5 | Deg |
| C-C' | 54.5 | Deg |
| 最大取付間隔 | | |
| A-A' | 1.03 | H |
| C-C' | 1.03 | H |



照明率表

| | 80% | | | | 70% | | | | 50% | | | | 30% | | | | 0% |
|-------|-----|-----|-----|-----|-----|-----|-----|-----|-----|-----|-----|-----|-----|-----|-----|-----|----|
| | 70% | 50% | 30% | 10% | 70% | 50% | 30% | 10% | 70% | 50% | 30% | 10% | 70% | 50% | 30% | 10% | 0% |
| 天井 | | | | | | | | | | | | | | | | | |
| 壁 | | | | | | | | | | | | | | | | | |
| 床 | | | | | | | | | | | | | | | | | |
| 0.60 | 78 | 72 | 68 | 65 | 78 | 72 | 68 | 65 | 76 | 71 | 68 | 65 | 75 | 70 | 67 | 65 | 64 |
| 0.80 | 84 | 78 | 74 | 71 | 83 | 78 | 74 | 71 | 81 | 77 | 73 | 71 | 80 | 76 | 73 | 70 | 69 |
| 1.00 | 88 | 83 | 79 | 77 | 87 | 83 | 79 | 76 | 86 | 82 | 78 | 76 | 84 | 81 | 78 | 76 | 74 |
| 1.25 | 92 | 87 | 84 | 81 | 91 | 87 | 83 | 81 | 89 | 85 | 83 | 80 | 87 | 84 | 82 | 80 | 78 |
| 1.50 | 94 | 90 | 87 | 84 | 93 | 89 | 86 | 84 | 91 | 88 | 86 | 84 | 89 | 87 | 85 | 83 | 81 |
| 2.00 | 97 | 94 | 92 | 90 | 96 | 94 | 91 | 90 | 95 | 92 | 90 | 89 | 93 | 91 | 89 | 88 | 86 |
| 2.50 | 99 | 97 | 95 | 94 | 98 | 96 | 95 | 93 | 97 | 95 | 93 | 92 | 95 | 93 | 92 | 91 | 89 |
| 3.00 | 101 | 99 | 97 | 96 | 100 | 98 | 97 | 95 | 98 | 97 | 95 | 94 | 96 | 95 | 94 | 93 | 91 |
| 4.00 | 102 | 101 | 100 | 99 | 101 | 100 | 99 | 98 | 99 | 98 | 97 | 97 | 97 | 97 | 96 | 95 | 93 |
| 5.00 | 103 | 102 | 101 | 100 | 102 | 101 | 100 | 99 | 100 | 99 | 98 | 98 | 98 | 97 | 97 | 96 | 94 |
| 7.00 | 103 | 103 | 102 | 102 | 102 | 102 | 101 | 101 | 101 | 100 | 100 | 99 | 99 | 98 | 98 | 98 | 95 |
| 10.00 | 104 | 104 | 103 | 103 | 103 | 103 | 102 | 102 | 101 | 101 | 101 | 100 | 99 | 99 | 99 | 99 | 96 |

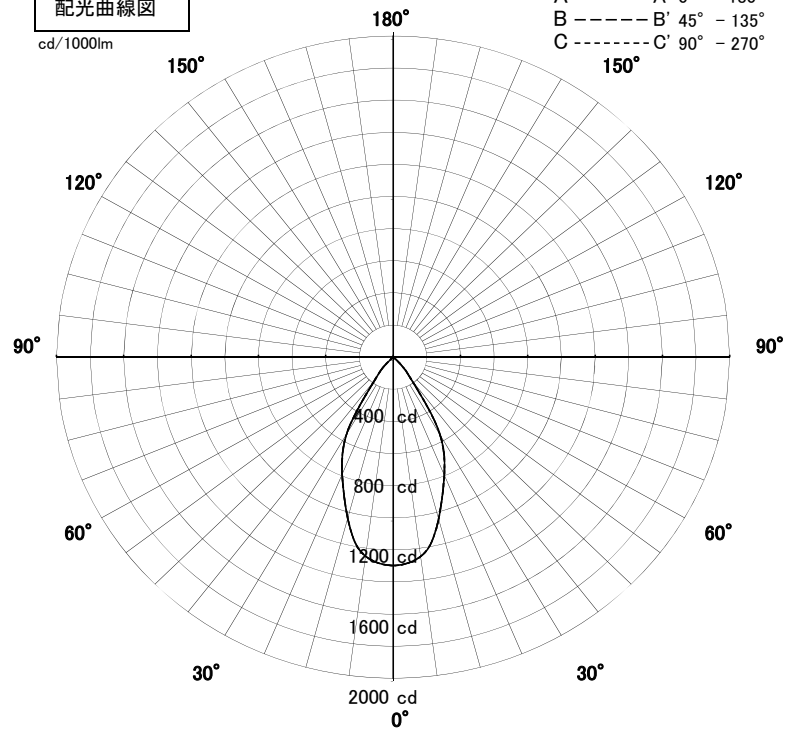
屋内照明器具特性



| | | | |
|----------------|---------------------|----|--------------------|
| 品名 | DD-3320 | | |
| 光源 | LECF/19L-M16GH3085P | | |
| 実効光束 (器具光束) | 1668lm | 効率 | 88.2lm/W (100V) |

配光曲線図

cd/1000lm



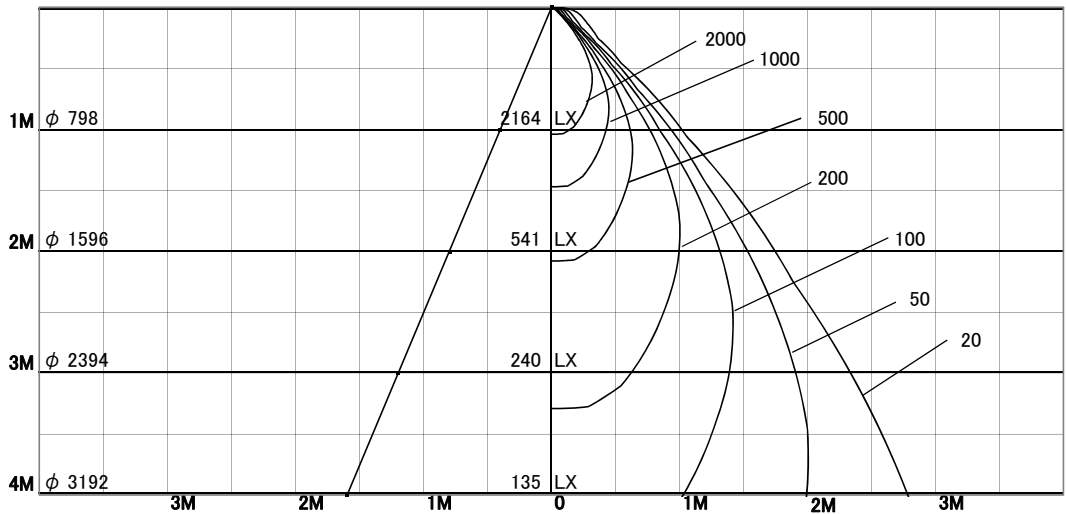
1/2照度角

直射水平面照度

単位: Lx

| | | |
|--------|-------|------|
| 色温度 | 3000K | |
| 演色評価指数 | Ra85 | |
| 保守率 | 良 | 0.8 |
| | 中 | 0.6 |
| | 否 | 0.54 |

| | | |
|--------|------|-----|
| 1/2照度角 | | |
| A-A' | 43.5 | Deg |
| C-C' | 43.5 | Deg |
| 最大取付間隔 | | |
| A-A' | 0.80 | H |
| C-C' | 0.80 | H |



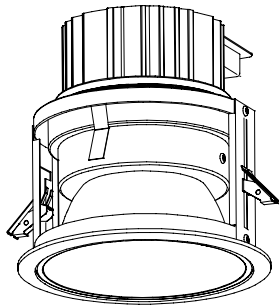
照明率表

| 天井 | 80% | | | | 70% | | | | 50% | | | | 30% | | | | 0% |
|-------|-----|-----|-----|-----|-----|-----|-----|-----|-----|-----|-----|-----|-----|-----|-----|-----|----|
| | 70% | 50% | 30% | 10% | 70% | 50% | 30% | 10% | 70% | 50% | 30% | 10% | 70% | 50% | 30% | 10% | 0% |
| 壁 | 10% | | | | | | | | | | | | | | | | 0% |
| 床 | 10% | | | | | | | | | | | | | | | | 0% |
| 0.60 | 77 | 72 | 68 | 65 | 77 | 71 | 68 | 65 | 75 | 71 | 67 | 65 | 74 | 70 | 67 | 65 | 64 |
| 0.80 | 82 | 77 | 73 | 70 | 81 | 76 | 73 | 70 | 80 | 76 | 72 | 70 | 79 | 75 | 72 | 70 | 69 |
| 1.00 | 86 | 82 | 78 | 76 | 85 | 81 | 78 | 75 | 84 | 80 | 77 | 75 | 82 | 79 | 77 | 75 | 73 |
| 1.25 | 89 | 85 | 82 | 80 | 88 | 85 | 82 | 79 | 87 | 84 | 81 | 79 | 85 | 82 | 80 | 78 | 77 |
| 1.50 | 91 | 88 | 85 | 83 | 90 | 87 | 84 | 82 | 89 | 86 | 84 | 82 | 87 | 85 | 83 | 81 | 80 |
| 2.00 | 95 | 92 | 90 | 88 | 94 | 91 | 89 | 87 | 92 | 90 | 88 | 87 | 90 | 89 | 87 | 86 | 84 |
| 2.50 | 96 | 94 | 93 | 91 | 96 | 94 | 92 | 91 | 94 | 92 | 91 | 90 | 92 | 91 | 90 | 89 | 87 |
| 3.00 | 98 | 96 | 95 | 94 | 97 | 95 | 94 | 93 | 95 | 94 | 93 | 92 | 93 | 92 | 92 | 91 | 89 |
| 4.00 | 99 | 98 | 97 | 96 | 98 | 97 | 96 | 95 | 96 | 95 | 95 | 94 | 94 | 94 | 93 | 93 | 91 |
| 5.00 | 100 | 99 | 98 | 97 | 99 | 98 | 97 | 97 | 97 | 96 | 96 | 95 | 95 | 95 | 94 | 94 | 92 |
| 7.00 | 100 | 100 | 99 | 99 | 99 | 99 | 99 | 98 | 97 | 97 | 97 | 97 | 96 | 96 | 95 | 95 | 93 |
| 10.00 | 101 | 101 | 100 | 100 | 100 | 100 | 99 | 99 | 98 | 98 | 98 | 98 | 96 | 96 | 96 | 96 | 93 |

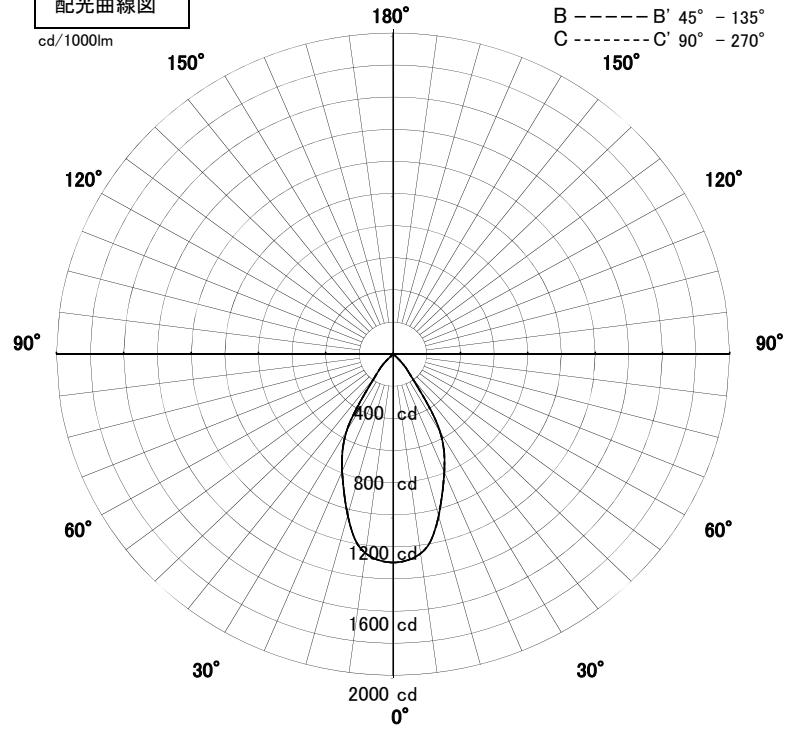
屋内照明器具特性



| | | | |
|----------------|---------------------|----|--------------------|
| 品名 | DD-3320 | | |
| 光源 | LECF/19L-M16GH3085P | | |
| 実効光束 (器具光束) | 1668lm | 効率 | 89.7lm/W (200V) |



配光曲線図
cd/1000lm



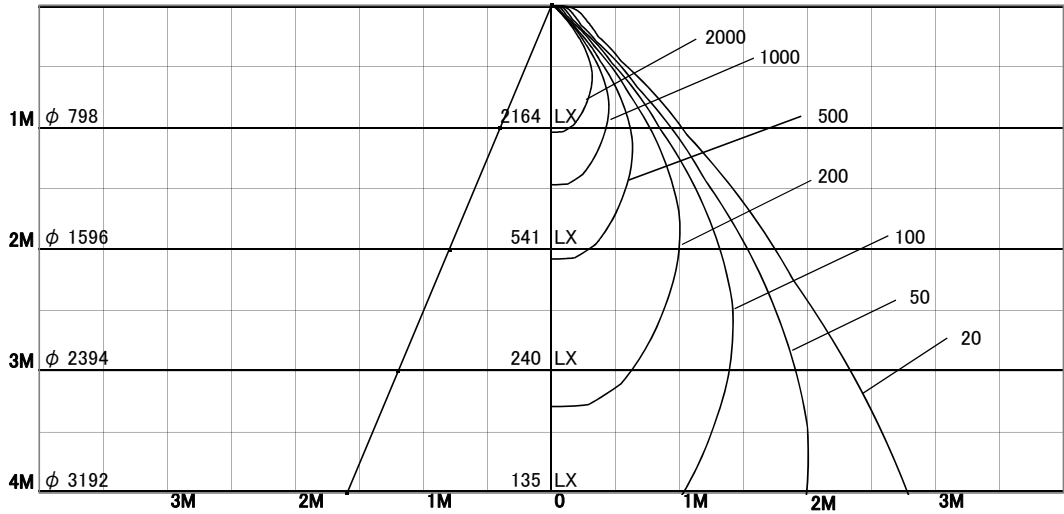
1/2照度角

直射水平面照度

単位:Lx

| | | |
|--------|-------|------|
| 色温度 | 3000K | |
| 演色評価指数 | Ra85 | |
| 保守率 | 良 | 0.8 |
| | 中 | 0.6 |
| | 否 | 0.54 |

| | | |
|--------|------|-----|
| 1/2照度角 | | |
| A-A' | 43.5 | Deg |
| C-C' | 43.5 | Deg |
| 最大取付間隔 | | |
| A-A' | 0.80 | H |
| C-C' | 0.80 | H |



照明率表

| 天井 | 80% | | | | 70% | | | | 50% | | | | 30% | | | | 0% |
|-------|-----|-----|-----|-----|-----|-----|-----|-----|-----|-----|-----|-----|-----|-----|-----|-----|----|
| | 70% | 50% | 30% | 10% | 70% | 50% | 30% | 10% | 70% | 50% | 30% | 10% | 70% | 50% | 30% | 10% | 0% |
| 壁 | 10% | | | | | | | | | | | | | | | | 0% |
| 床 | 10% | | | | | | | | | | | | | | | | 0% |
| 0.60 | 77 | 72 | 68 | 65 | 77 | 71 | 68 | 65 | 75 | 71 | 67 | 65 | 74 | 70 | 67 | 65 | 64 |
| 0.80 | 82 | 77 | 73 | 70 | 81 | 76 | 73 | 70 | 80 | 76 | 72 | 70 | 79 | 75 | 72 | 70 | 69 |
| 1.00 | 86 | 82 | 78 | 76 | 85 | 81 | 78 | 75 | 84 | 80 | 77 | 75 | 82 | 79 | 77 | 75 | 73 |
| 1.25 | 89 | 85 | 82 | 80 | 88 | 85 | 82 | 79 | 87 | 84 | 81 | 79 | 85 | 82 | 80 | 78 | 77 |
| 1.50 | 91 | 88 | 85 | 83 | 90 | 87 | 84 | 82 | 89 | 86 | 84 | 82 | 87 | 85 | 83 | 81 | 80 |
| 2.00 | 95 | 92 | 90 | 88 | 94 | 91 | 89 | 87 | 92 | 90 | 88 | 87 | 90 | 89 | 87 | 86 | 84 |
| 2.50 | 96 | 94 | 93 | 91 | 96 | 94 | 92 | 91 | 94 | 92 | 91 | 90 | 92 | 91 | 90 | 89 | 87 |
| 3.00 | 98 | 96 | 95 | 94 | 97 | 95 | 94 | 93 | 95 | 94 | 93 | 92 | 93 | 92 | 92 | 91 | 89 |
| 4.00 | 99 | 98 | 97 | 96 | 98 | 97 | 96 | 95 | 96 | 95 | 95 | 94 | 94 | 94 | 93 | 93 | 91 |
| 5.00 | 100 | 99 | 98 | 97 | 99 | 98 | 97 | 97 | 97 | 96 | 96 | 95 | 95 | 95 | 94 | 94 | 92 |
| 7.00 | 100 | 100 | 99 | 99 | 99 | 99 | 99 | 98 | 97 | 97 | 97 | 97 | 96 | 96 | 95 | 95 | 93 |
| 10.00 | 101 | 101 | 100 | 100 | 100 | 100 | 99 | 99 | 98 | 98 | 98 | 98 | 96 | 96 | 96 | 96 | 93 |