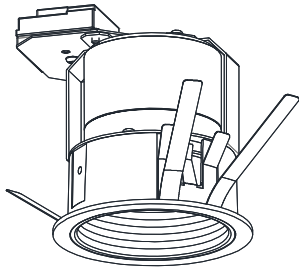


# 屋内照明器具特性

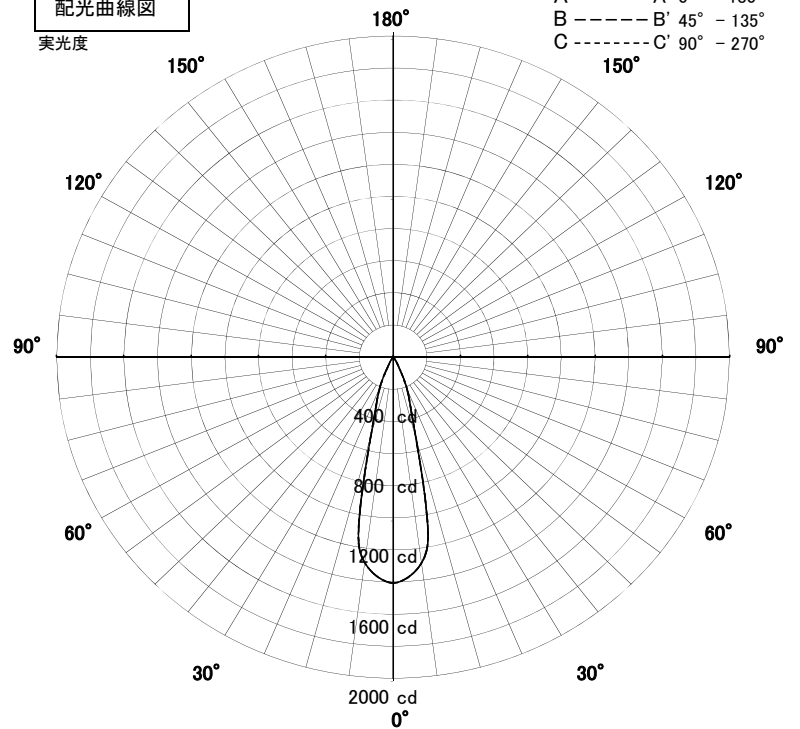


|                |            |             |          |
|----------------|------------|-------------|----------|
| 品名             | DD-3364-LL |             |          |
| 光源             | LED 6.5W   |             |          |
| 実効光束<br>(器具光束) | 396lm      | エネルギー<br>効率 | 60.9lm/W |



配光曲線図

実光度

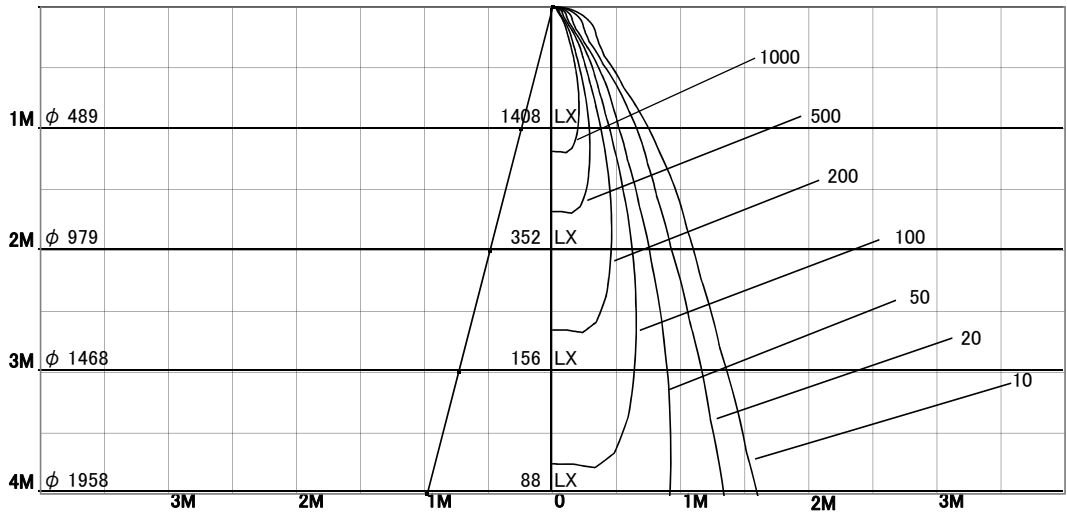


1/2照度角

直射水平面照度

単位: Lx

|        |       |      |
|--------|-------|------|
| 器具効率   | 88.3% |      |
| 色温度    | 2700K |      |
| 演色評価指数 | Ra82  |      |
| 保守率    | 良     | 0.67 |
|        | 中     | 0.63 |
|        | 否     | 0.56 |
| 1/2照度角 |       |      |
| A-A'   | 27.5  | Deg  |
| C-C'   | 27.5  | Deg  |
| 最大取付間隔 |       |      |
| A-A'   | 0.49  | H    |
| C-C'   | 0.49  | H    |



固有照明率表

| 天井    | 80% |     |     |     | 70% |     |     |     | 50% |     |     |     | 30% |     |     |     | 0%  |
|-------|-----|-----|-----|-----|-----|-----|-----|-----|-----|-----|-----|-----|-----|-----|-----|-----|-----|
|       | 70% | 50% | 30% | 10% | 70% | 50% | 30% | 10% | 70% | 50% | 30% | 10% | 70% | 50% | 30% | 10% | 0%  |
| 壁     | 10% |     |     |     |     |     |     |     |     |     |     |     |     |     |     |     | 0%  |
| 床     | 10% |     |     |     |     |     |     |     |     |     |     |     |     |     |     |     | 0%  |
| 0.60  | 90  | 84  | 80  | 77  | 89  | 84  | 80  | 77  | 88  | 83  | 80  | 77  | 87  | 82  | 79  | 77  | 76  |
| 0.80  | 95  | 89  | 85  | 82  | 94  | 89  | 85  | 82  | 93  | 88  | 85  | 82  | 91  | 87  | 84  | 82  | 81  |
| 1.00  | 99  | 94  | 90  | 88  | 98  | 94  | 90  | 88  | 97  | 93  | 89  | 87  | 95  | 92  | 89  | 87  | 85  |
| 1.25  | 102 | 98  | 95  | 92  | 101 | 97  | 94  | 92  | 100 | 96  | 93  | 91  | 98  | 95  | 93  | 91  | 89  |
| 1.50  | 105 | 101 | 98  | 95  | 104 | 100 | 97  | 95  | 102 | 99  | 96  | 94  | 100 | 97  | 95  | 93  | 92  |
| 2.00  | 108 | 105 | 103 | 101 | 107 | 104 | 102 | 100 | 105 | 103 | 101 | 99  | 103 | 101 | 100 | 98  | 97  |
| 2.50  | 110 | 108 | 106 | 104 | 109 | 107 | 105 | 104 | 107 | 105 | 104 | 103 | 105 | 104 | 103 | 102 | 100 |
| 3.00  | 111 | 110 | 108 | 107 | 110 | 109 | 108 | 106 | 108 | 107 | 106 | 105 | 107 | 106 | 105 | 104 | 102 |
| 4.00  | 113 | 112 | 111 | 110 | 112 | 111 | 110 | 109 | 110 | 109 | 108 | 108 | 108 | 107 | 107 | 106 | 104 |
| 5.00  | 113 | 113 | 112 | 111 | 112 | 112 | 111 | 110 | 110 | 110 | 109 | 109 | 108 | 108 | 108 | 107 | 105 |
| 7.00  | 114 | 114 | 114 | 113 | 113 | 113 | 113 | 112 | 111 | 111 | 111 | 111 | 109 | 109 | 109 | 109 | 106 |
| 10.00 | 115 | 115 | 115 | 115 | 114 | 114 | 114 | 114 | 112 | 112 | 112 | 112 | 110 | 110 | 110 | 110 | 107 |