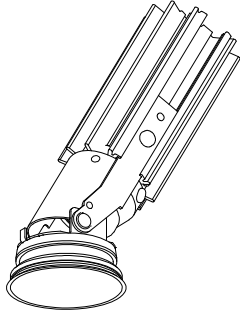


屋内照明器具特性

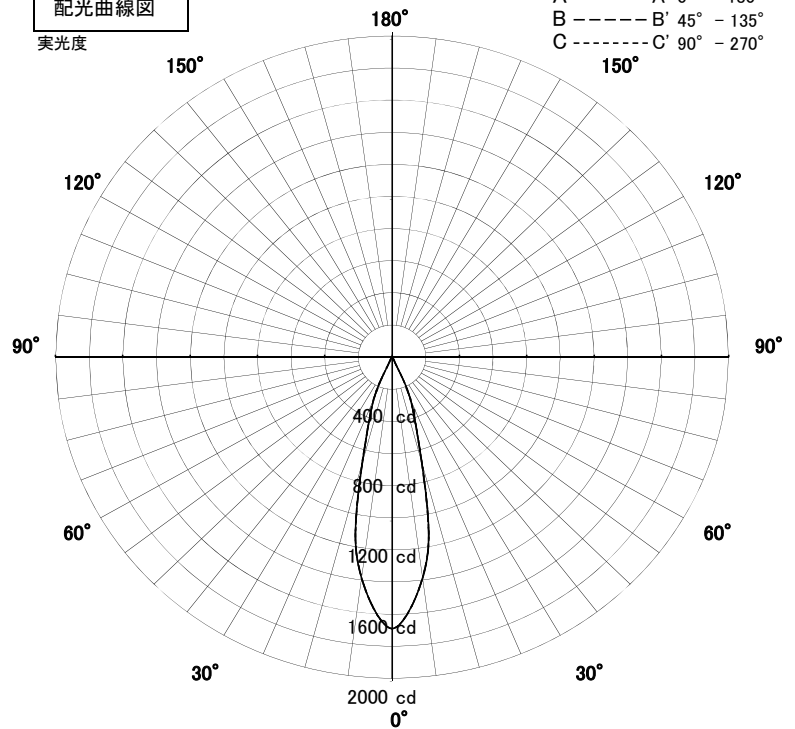


| | | | |
|----------------|-----------|----|----------|
| 品名 | DD-3499-L | | |
| 光源 | LED10.3W | | |
| 実効光束 (器具光束) | 426lm | 効率 | 41.3lm/W |



配光曲線図

実光度

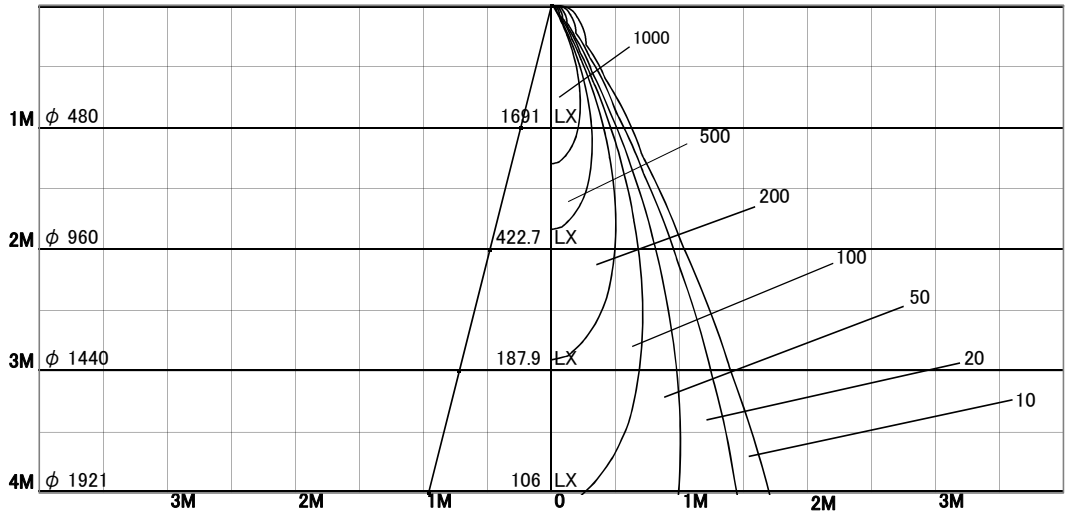


1/2照度角

直射水平面照度

単位:Lx

| | | |
|--------|-------|------|
| 色温度 | 3000K | |
| 演色評価指数 | Ra82 | |
| 保守率 | 良 | 0.67 |
| | 中 | 0.63 |
| | 否 | 0.56 |



| | | |
|--------|------|-----|
| 1/2照度角 | | |
| A-A' | 27.0 | Deg |
| C-C' | 27.0 | Deg |
| 最大取付間隔 | | |
| A-A' | 0.48 | H |
| C-C' | 0.48 | H |

照明率表

| 天井 | 80% | | | | 70% | | | | 50% | | | | 30% | | | | 0% |
|-------|-----|-----|-----|-----|-----|-----|-----|-----|-----|-----|-----|-----|-----|-----|-----|-----|-----|
| | 70% | 50% | 30% | 10% | 70% | 50% | 30% | 10% | 70% | 50% | 30% | 10% | 70% | 50% | 30% | 10% | 0% |
| 壁 | 10% | | | | | | | | | | | | | | | | 0% |
| 床 | 10% | | | | | | | | | | | | | | | | 0% |
| 0.60 | 88 | 83 | 79 | 76 | 88 | 82 | 79 | 76 | 86 | 82 | 79 | 76 | 85 | 81 | 78 | 76 | 75 |
| 0.80 | 93 | 88 | 84 | 81 | 92 | 87 | 84 | 81 | 91 | 86 | 83 | 81 | 89 | 86 | 83 | 81 | 79 |
| 1.00 | 97 | 92 | 89 | 86 | 96 | 92 | 89 | 86 | 95 | 91 | 88 | 86 | 93 | 90 | 87 | 85 | 84 |
| 1.25 | 100 | 96 | 93 | 90 | 99 | 95 | 92 | 90 | 97 | 94 | 92 | 90 | 96 | 93 | 91 | 89 | 88 |
| 1.50 | 102 | 98 | 96 | 93 | 101 | 98 | 95 | 93 | 99 | 96 | 94 | 92 | 98 | 95 | 93 | 92 | 90 |
| 2.00 | 105 | 103 | 100 | 99 | 104 | 102 | 100 | 98 | 102 | 100 | 99 | 97 | 101 | 99 | 98 | 96 | 95 |
| 2.50 | 107 | 105 | 103 | 102 | 106 | 104 | 103 | 101 | 104 | 103 | 102 | 100 | 103 | 101 | 100 | 99 | 98 |
| 3.00 | 109 | 107 | 106 | 105 | 108 | 106 | 105 | 104 | 106 | 105 | 104 | 103 | 104 | 103 | 102 | 102 | 100 |
| 4.00 | 110 | 109 | 108 | 107 | 109 | 108 | 107 | 106 | 107 | 106 | 105 | 105 | 105 | 104 | 104 | 104 | 101 |
| 5.00 | 110 | 110 | 109 | 109 | 109 | 109 | 108 | 108 | 107 | 107 | 107 | 106 | 106 | 105 | 105 | 105 | 102 |
| 7.00 | 111 | 111 | 111 | 110 | 110 | 110 | 110 | 110 | 108 | 108 | 108 | 108 | 106 | 106 | 106 | 106 | 104 |
| 10.00 | 112 | 112 | 112 | 112 | 111 | 111 | 111 | 111 | 109 | 109 | 109 | 109 | 107 | 107 | 107 | 107 | 104 |