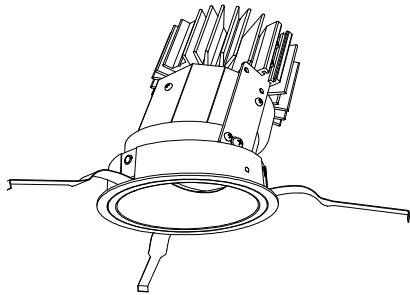


屋内照明器具特性

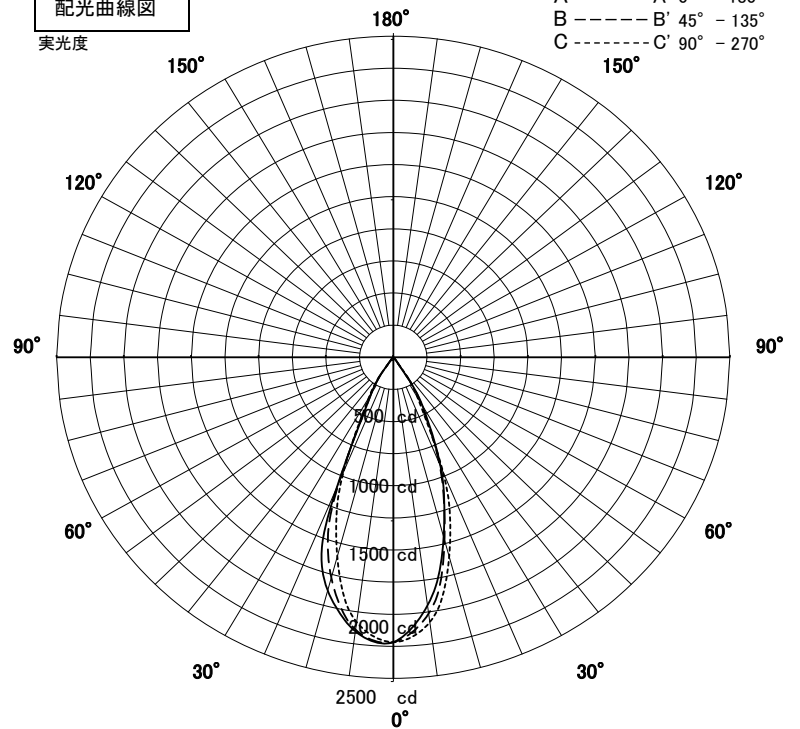


| | | | |
|----------------|------------|----|----------|
| 品名 | DD-3524-LL | | |
| 光源 | LED27.0W | | |
| 実効光束 (器具光束) | 1115lm | 効率 | 41.2lm/W |



配光曲線図

実光度

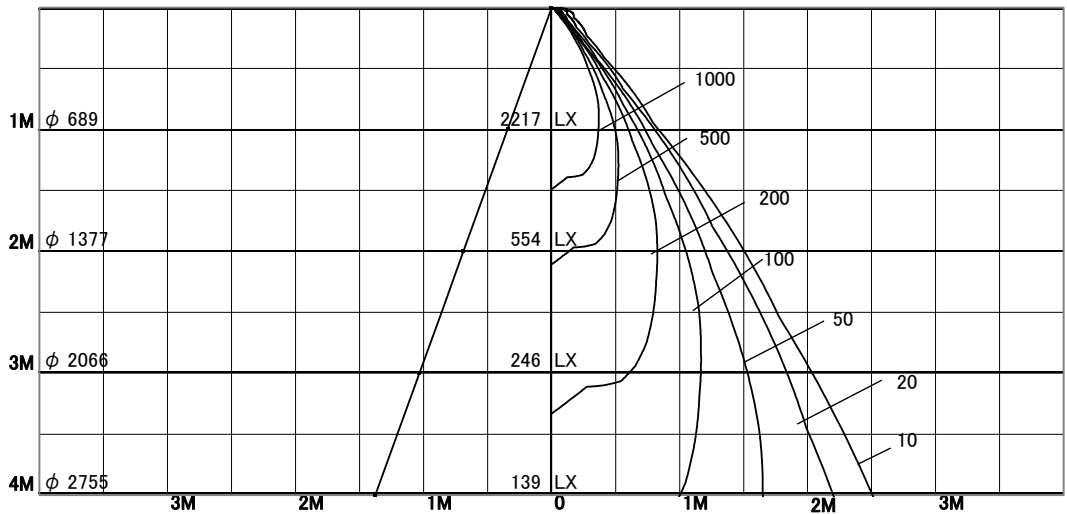


1/2照度角

直射水平面照度

単位:Lx

| | | |
|--------|-------|------|
| 器具効率 | 48.9% | |
| 色温度 | 2700K | |
| 演色評価指数 | Ra95 | |
| 保守率 | 良 | 0.67 |
| | 中 | 0.63 |
| | 否 | 0.56 |



| | | |
|--------|------|-----|
| 1/2照度角 | | |
| A-A' | 39.5 | Deg |
| C-C' | 38.0 | Deg |
| 最大取付間隔 | | |
| A-A' | 0.72 | H |
| C-C' | 0.69 | H |

照明率表

| | 80% | | | | 70% | | | | 50% | | | | 30% | | | | 0% |
|-------|-----|-----|-----|-----|-----|-----|-----|-----|-----|-----|-----|-----|-----|-----|-----|-----|----|
| | 70% | 50% | 30% | 10% | 70% | 50% | 30% | 10% | 70% | 50% | 30% | 10% | 70% | 50% | 30% | 10% | 0% |
| 天井 | 10% | | | | | | | | | | | | | | | | 0% |
| 壁 | 10% | | | | | | | | | | | | | | | | 0% |
| 床 | 10% | | | | | | | | | | | | | | | | 0% |
| 0.60 | 34 | 32 | 30 | 29 | 34 | 32 | 30 | 29 | 33 | 31 | 30 | 29 | 33 | 31 | 30 | 29 | 29 |
| 0.80 | 36 | 34 | 32 | 31 | 35 | 33 | 32 | 31 | 35 | 33 | 32 | 31 | 34 | 33 | 32 | 31 | 31 |
| 1.00 | 37 | 35 | 34 | 33 | 37 | 35 | 34 | 33 | 36 | 35 | 34 | 33 | 36 | 34 | 34 | 33 | 32 |
| 1.25 | 38 | 37 | 36 | 35 | 38 | 37 | 35 | 35 | 37 | 36 | 35 | 34 | 37 | 36 | 35 | 34 | 34 |
| 1.50 | 39 | 38 | 37 | 36 | 39 | 38 | 37 | 36 | 38 | 37 | 36 | 35 | 37 | 37 | 36 | 35 | 35 |
| 2.00 | 40 | 39 | 39 | 38 | 40 | 39 | 38 | 38 | 39 | 39 | 38 | 37 | 39 | 38 | 37 | 37 | 36 |
| 2.50 | 41 | 40 | 40 | 39 | 41 | 40 | 39 | 39 | 40 | 39 | 39 | 39 | 39 | 39 | 39 | 38 | 37 |
| 3.00 | 42 | 41 | 41 | 40 | 41 | 41 | 40 | 40 | 41 | 40 | 40 | 39 | 40 | 40 | 39 | 39 | 38 |
| 4.00 | 42 | 42 | 41 | 41 | 42 | 41 | 41 | 41 | 41 | 41 | 40 | 40 | 40 | 40 | 40 | 40 | 39 |
| 5.00 | 42 | 42 | 42 | 42 | 42 | 42 | 42 | 41 | 41 | 41 | 41 | 41 | 41 | 40 | 40 | 40 | 39 |
| 7.00 | 43 | 43 | 42 | 42 | 42 | 42 | 42 | 42 | 42 | 41 | 41 | 41 | 41 | 41 | 41 | 41 | 40 |
| 10.00 | 43 | 43 | 43 | 43 | 42 | 42 | 42 | 42 | 42 | 42 | 42 | 42 | 41 | 41 | 41 | 41 | 40 |