

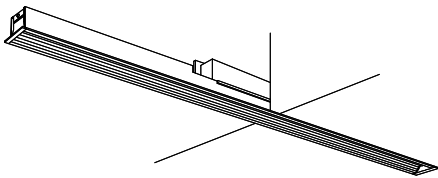
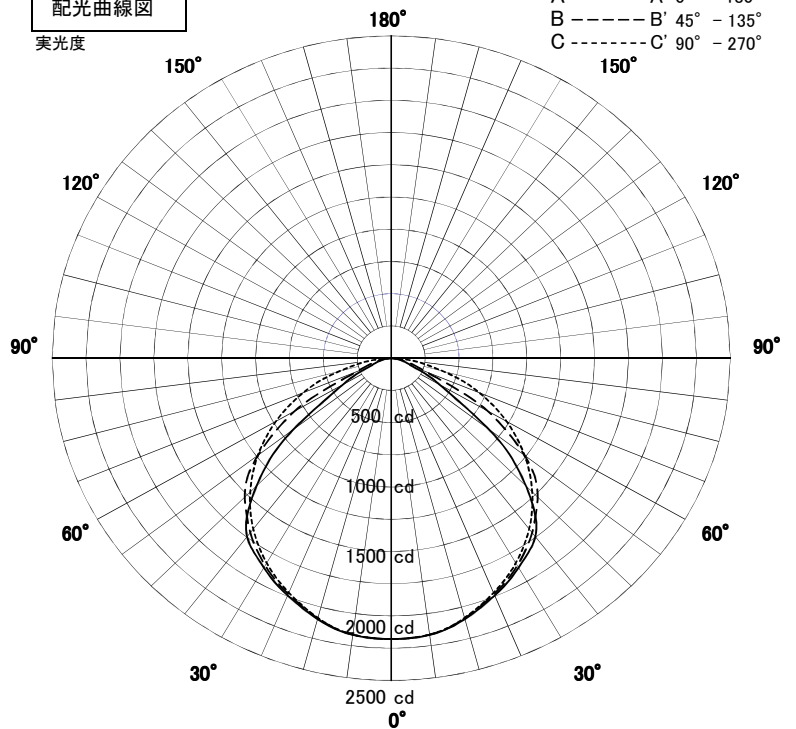
屋内照明器具特性



| | | | |
|----------------|----------|----|-----------|
| 品名 | DD3556-W | | |
| 光源 | LED51W | | |
| 実効光束 (器具光束) | 5607lm | 効率 | 109.9lm/W |

配光曲線図

実光度

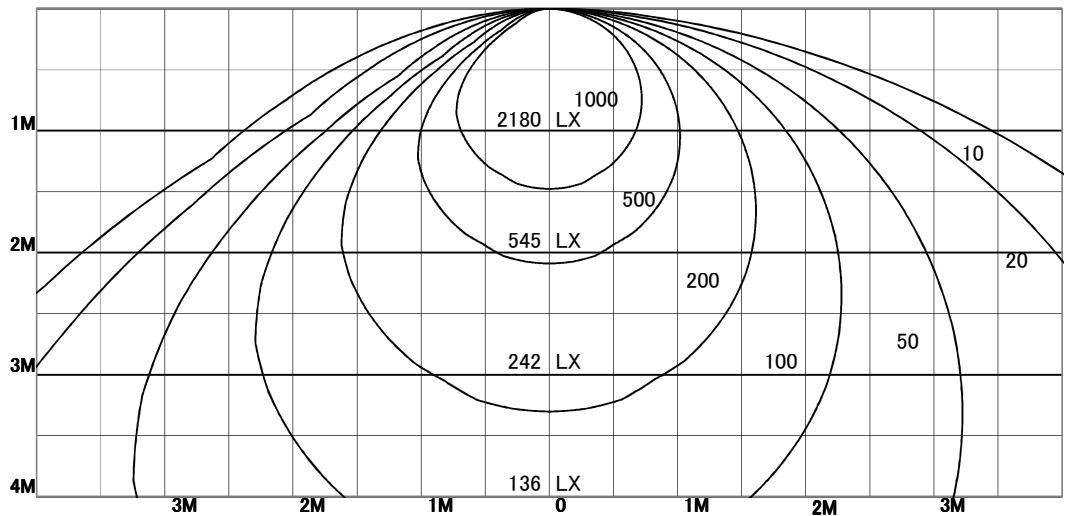


直射水平面照度

单位:Lx

A-A' Section

C-C' Section



| | | |
|--------|-------|------|
| 色温度 | 4000K | |
| 演色評価指数 | Ra83 | |
| 保守率 | 良 | 0.63 |
| | 中 | 0.60 |
| | 否 | 0.56 |
| 1/2照度角 | | |
| A-A' | 65.5 | Deg |
| C-C' | 64.0 | Deg |
| 最大取付間隔 | | |
| A-A' | 1.29 | H |
| C-C' | 1.25 | H |

照明率表

| 天井 | 80% | | | | 70% | | | | 50% | | | | 30% | | | | 0% |
|-------|-----|-----|-----|-----|-----|-----|-----|-----|-----|-----|-----|-----|-----|-----|-----|-----|----|
| | 70% | 50% | 30% | 10% | 70% | 50% | 30% | 10% | 70% | 50% | 30% | 10% | 70% | 50% | 30% | 10% | 0% |
| 壁 | 10% | | | | | | | | | | | | | | | | 0% |
| 床 | 10% | | | | | | | | | | | | | | | | 0% |
| 0.60 | 60 | 49 | 41 | 36 | 59 | 48 | 41 | 36 | 57 | 47 | 40 | 36 | 55 | 46 | 40 | 36 | 34 |
| 0.80 | 70 | 59 | 51 | 46 | 68 | 58 | 51 | 46 | 66 | 57 | 50 | 45 | 63 | 55 | 50 | 45 | 43 |
| 1.00 | 77 | 67 | 59 | 54 | 75 | 66 | 59 | 54 | 72 | 64 | 58 | 53 | 70 | 63 | 57 | 53 | 51 |
| 1.25 | 83 | 74 | 67 | 62 | 81 | 73 | 67 | 62 | 78 | 71 | 66 | 61 | 76 | 70 | 65 | 61 | 59 |
| 1.50 | 87 | 79 | 73 | 68 | 85 | 78 | 72 | 68 | 83 | 76 | 71 | 67 | 80 | 75 | 70 | 66 | 64 |
| 2.00 | 93 | 86 | 81 | 77 | 91 | 85 | 81 | 77 | 89 | 84 | 79 | 76 | 86 | 82 | 78 | 75 | 73 |
| 2.50 | 96 | 91 | 87 | 83 | 95 | 90 | 86 | 82 | 92 | 88 | 84 | 81 | 90 | 86 | 83 | 80 | 78 |
| 3.00 | 99 | 94 | 90 | 87 | 97 | 93 | 89 | 86 | 94 | 91 | 88 | 85 | 92 | 89 | 86 | 84 | 82 |
| 4.00 | 101 | 98 | 95 | 92 | 100 | 97 | 94 | 91 | 97 | 95 | 92 | 90 | 95 | 93 | 90 | 89 | 86 |
| 5.00 | 103 | 100 | 97 | 95 | 101 | 99 | 96 | 94 | 99 | 97 | 94 | 93 | 96 | 95 | 93 | 91 | 89 |
| 7.00 | 105 | 102 | 100 | 98 | 103 | 101 | 99 | 98 | 101 | 99 | 97 | 96 | 98 | 97 | 96 | 94 | 92 |
| 10.00 | 106 | 104 | 103 | 101 | 104 | 103 | 102 | 100 | 102 | 101 | 100 | 98 | 100 | 99 | 98 | 97 | 94 |