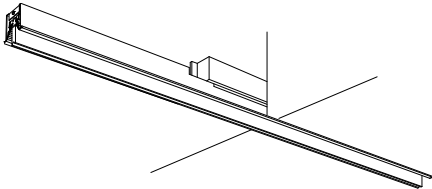
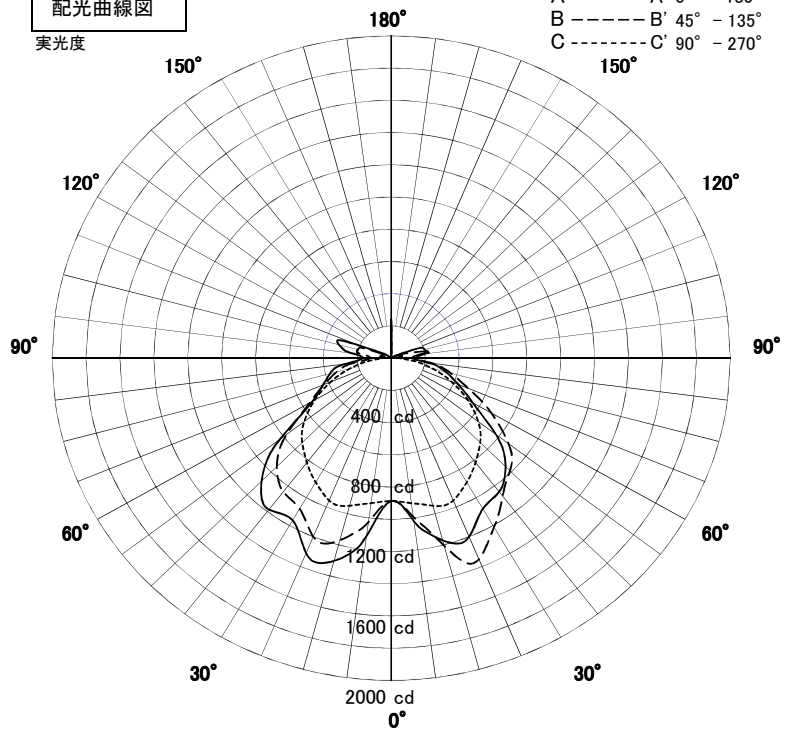


屋内照明器具特性



| | | | |
|----------------|-----------|----|----------|
| 品名 | DD-3561-N | | |
| 光源 | LED51W | | |
| 実効光束 (器具光束) | 4257lm | 効率 | 83.4lm/W |

配光曲線図
実光度



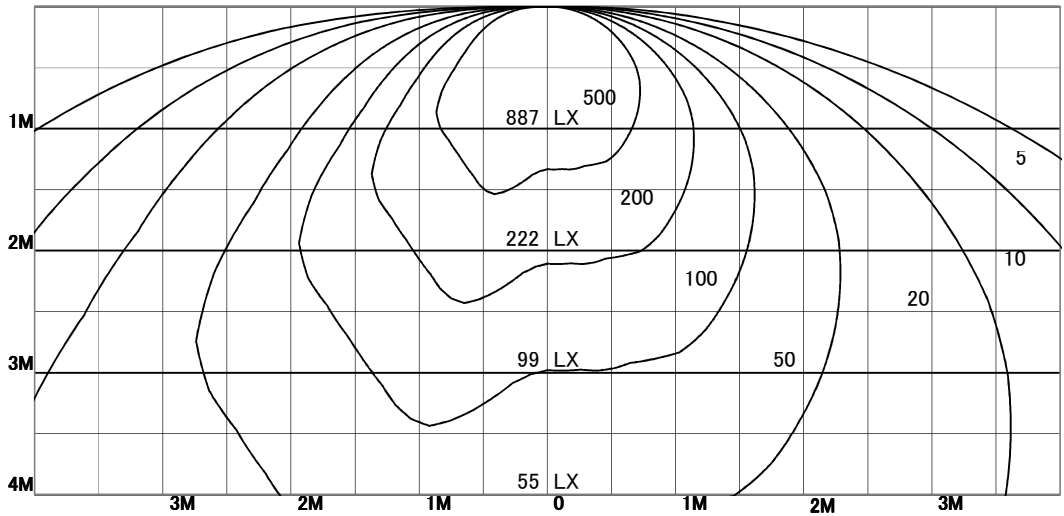
直射水平面照度

単位: Lx

A-A' Section

C-C' Section

| | | |
|--------|-------|------|
| 色温度 | 5000K | |
| 演色評価指数 | Ra83 | |
| 保守率 | 良 | 0.63 |
| | 中 | 0.60 |
| | 否 | 0.56 |
| 1/2照度角 | | |
| A-A' | 84.0 | Deg |
| C-C' | 71.5 | Deg |
| 最大取付間隔 | | |
| A-A' | 1.80 | H |
| C-C' | 1.44 | H |



照明率表

| 天井 | 80% | | | | 70% | | | | 50% | | | | 30% | | | | 0% |
|-------|-----|-----|-----|-----|-----|-----|-----|-----|-----|-----|-----|-----|-----|-----|-----|-----|----|
| | 70% | 50% | 30% | 10% | 70% | 50% | 30% | 10% | 70% | 50% | 30% | 10% | 70% | 50% | 30% | 10% | 0% |
| 壁 | | | | | | | | | | | | | | | | | |
| 床 | | | | | | | | | | | | | | | | | |
| 0.60 | 49 | 38 | 31 | 26 | 48 | 38 | 31 | 26 | 46 | 37 | 30 | 26 | 44 | 36 | 30 | 26 | 24 |
| 0.80 | 57 | 47 | 39 | 34 | 56 | 46 | 39 | 34 | 53 | 45 | 38 | 34 | 51 | 43 | 38 | 33 | 31 |
| 1.00 | 63 | 53 | 46 | 40 | 62 | 52 | 46 | 40 | 59 | 51 | 45 | 40 | 57 | 50 | 44 | 40 | 38 |
| 1.25 | 69 | 59 | 52 | 47 | 67 | 59 | 52 | 47 | 64 | 57 | 51 | 46 | 62 | 55 | 50 | 46 | 44 |
| 1.50 | 73 | 64 | 58 | 52 | 71 | 63 | 57 | 52 | 68 | 61 | 56 | 51 | 65 | 60 | 55 | 51 | 49 |
| 2.00 | 78 | 71 | 65 | 60 | 76 | 70 | 65 | 60 | 74 | 68 | 63 | 59 | 71 | 66 | 62 | 59 | 56 |
| 2.50 | 81 | 75 | 70 | 66 | 80 | 74 | 69 | 65 | 77 | 72 | 68 | 65 | 74 | 70 | 67 | 64 | 61 |
| 3.00 | 84 | 78 | 74 | 70 | 82 | 77 | 73 | 69 | 79 | 75 | 72 | 68 | 77 | 73 | 70 | 67 | 65 |
| 4.00 | 86 | 82 | 78 | 75 | 85 | 81 | 78 | 74 | 82 | 79 | 76 | 73 | 80 | 77 | 75 | 72 | 70 |
| 5.00 | 88 | 85 | 81 | 78 | 87 | 83 | 80 | 78 | 84 | 81 | 79 | 76 | 82 | 79 | 77 | 75 | 73 |
| 7.00 | 90 | 87 | 85 | 83 | 89 | 86 | 84 | 82 | 86 | 84 | 82 | 80 | 84 | 82 | 81 | 79 | 76 |
| 10.00 | 92 | 90 | 88 | 86 | 91 | 89 | 87 | 85 | 88 | 87 | 85 | 84 | 86 | 85 | 83 | 82 | 79 |