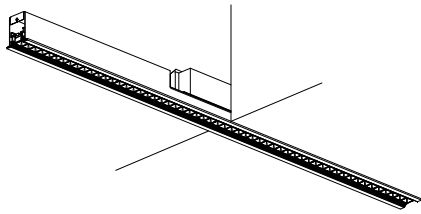


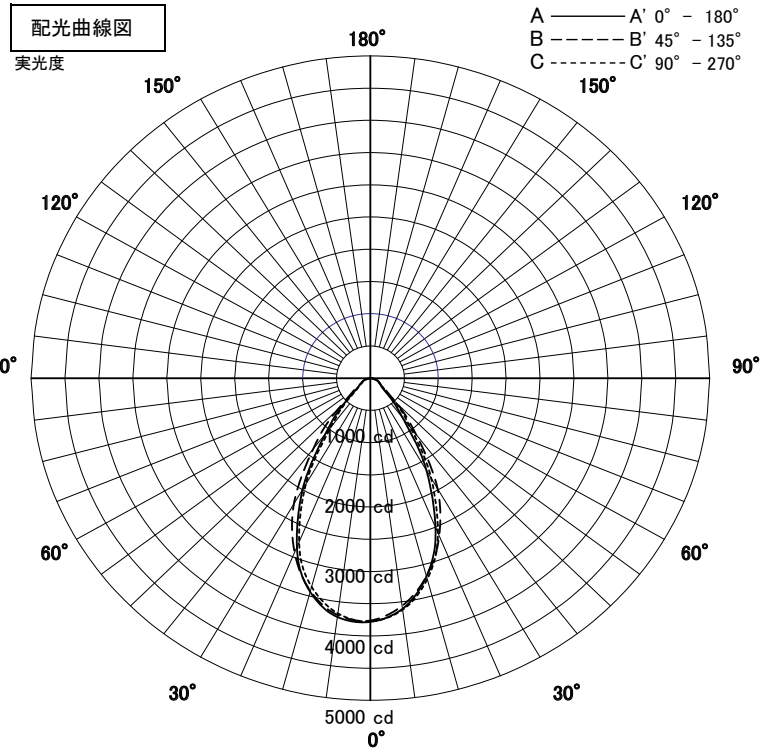
# 屋内照明器具特性



|                |                   |    |            |
|----------------|-------------------|----|------------|
| 品名             | DD-3642-W+OP-1001 |    |            |
| 光源             | LED_38W×1         |    |            |
| 実効光束<br>(器具光束) | 4,116 lm          | 効率 | 108.3 lm/W |



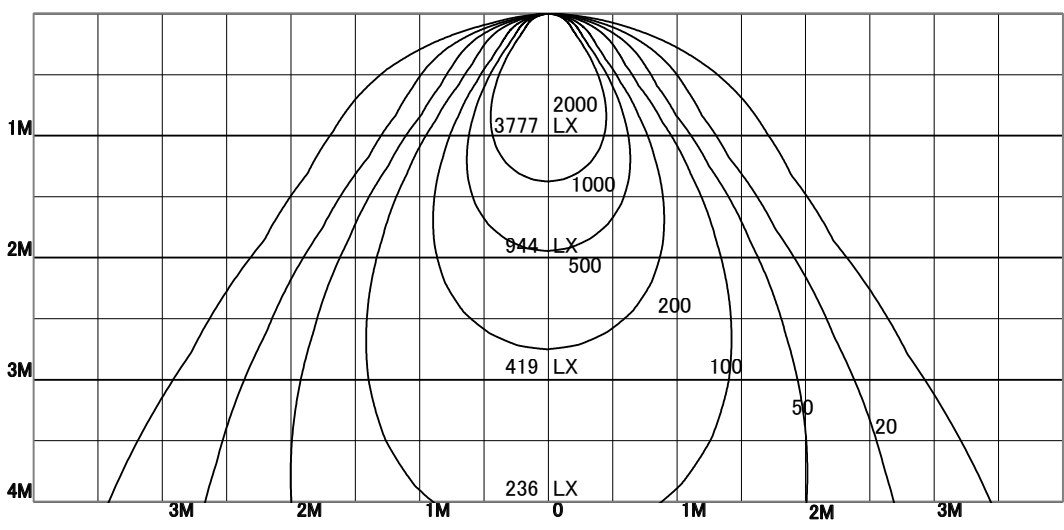
【ルーバー】OP-1001:白色マット



## 直射水平面照度

単位:Lx

|        |       |      |
|--------|-------|------|
| 色温度    | 4000K |      |
| 演色評価指数 | Ra90  |      |
| 保守率    | 良     | 0.69 |
|        | 中     | 0.67 |
|        | 否     | 0.63 |
| 1/2照度角 |       |      |
| A-A'   | 48.5  | Deg  |
| C-C'   | 48.5  | Deg  |
| 最大取付間隔 |       |      |
| A-A'   | 0.90  | H    |
| C-C'   | 0.90  | H    |



## 照明率表

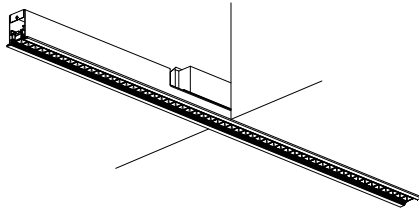
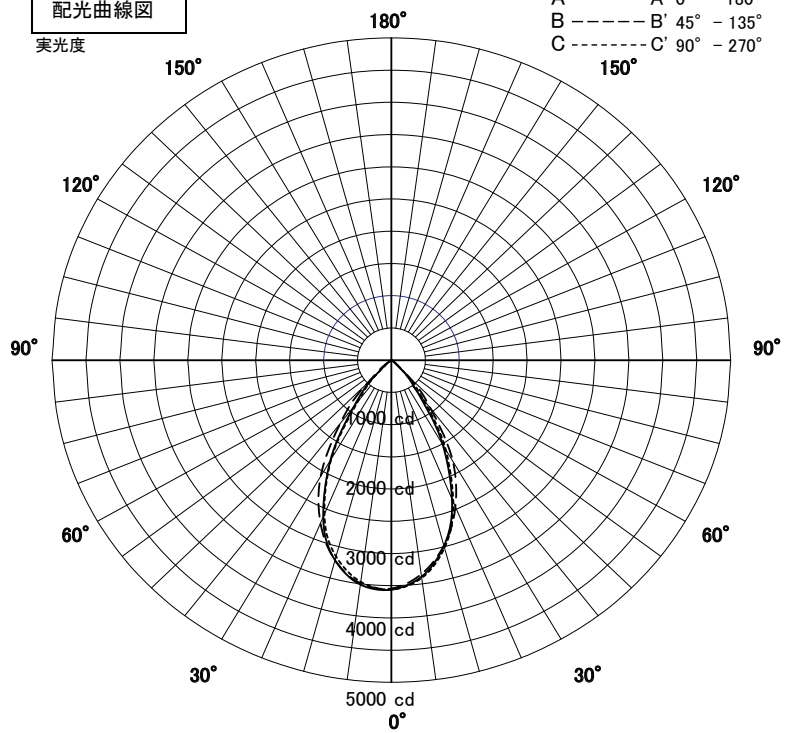
|       | 80% |     |     |     | 70% |     |     |     | 50% |     |     |     | 30% |     |     |     | 0% |
|-------|-----|-----|-----|-----|-----|-----|-----|-----|-----|-----|-----|-----|-----|-----|-----|-----|----|
|       | 70% | 50% | 30% | 10% | 70% | 50% | 30% | 10% | 70% | 50% | 30% | 10% | 70% | 50% | 30% | 10% | 0% |
| 天井    |     |     |     |     |     |     |     |     |     |     |     |     |     |     |     |     |    |
| 壁     |     |     |     |     |     |     |     |     |     |     |     |     |     |     |     |     |    |
| 床     |     | 10% |     |     |     | 10% |     |     |     | 10% |     |     |     | 10% |     |     | 0% |
| 0.60  | 77  | 69  | 64  | 60  | 76  | 68  | 63  | 60  | 74  | 67  | 63  | 60  | 73  | 67  | 63  | 60  | 58 |
| 0.80  | 83  | 76  | 71  | 67  | 82  | 75  | 70  | 67  | 80  | 74  | 70  | 66  | 78  | 73  | 69  | 66  | 65 |
| 1.00  | 88  | 82  | 77  | 73  | 87  | 81  | 76  | 73  | 85  | 80  | 76  | 73  | 83  | 79  | 75  | 72  | 71 |
| 1.25  | 93  | 87  | 82  | 79  | 91  | 86  | 82  | 78  | 89  | 85  | 81  | 78  | 87  | 83  | 80  | 77  | 76 |
| 1.50  | 95  | 90  | 86  | 83  | 94  | 89  | 86  | 83  | 92  | 88  | 85  | 82  | 90  | 87  | 84  | 81  | 79 |
| 2.00  | 100 | 96  | 92  | 89  | 98  | 95  | 92  | 89  | 96  | 93  | 90  | 88  | 94  | 92  | 89  | 87  | 85 |
| 2.50  | 102 | 99  | 96  | 94  | 101 | 98  | 95  | 93  | 99  | 96  | 94  | 92  | 97  | 95  | 93  | 91  | 89 |
| 3.00  | 104 | 101 | 99  | 97  | 103 | 100 | 98  | 96  | 100 | 98  | 97  | 95  | 98  | 97  | 95  | 94  | 92 |
| 4.00  | 105 | 104 | 102 | 100 | 104 | 103 | 101 | 100 | 102 | 101 | 99  | 98  | 100 | 99  | 98  | 97  | 95 |
| 5.00  | 106 | 105 | 104 | 102 | 105 | 104 | 103 | 101 | 103 | 102 | 101 | 100 | 101 | 100 | 99  | 99  | 96 |
| 7.00  | 108 | 107 | 106 | 105 | 106 | 106 | 105 | 104 | 104 | 104 | 103 | 102 | 102 | 102 | 101 | 101 | 98 |
| 10.00 | 108 | 108 | 107 | 107 | 107 | 107 | 106 | 106 | 105 | 105 | 104 | 104 | 103 | 103 | 102 | 102 | 99 |

# 屋内照明器具特性



|                |                   |    |           |
|----------------|-------------------|----|-----------|
| 品名             | DD-3642-W+OP-1002 |    |           |
| 光源             | LED_38W×1         |    |           |
| 実効光束<br>(器具光束) | 3,373 lm          | 効率 | 88.7 lm/W |

配光曲線図  
実光度



【ルーバー】OP-1002:黒色

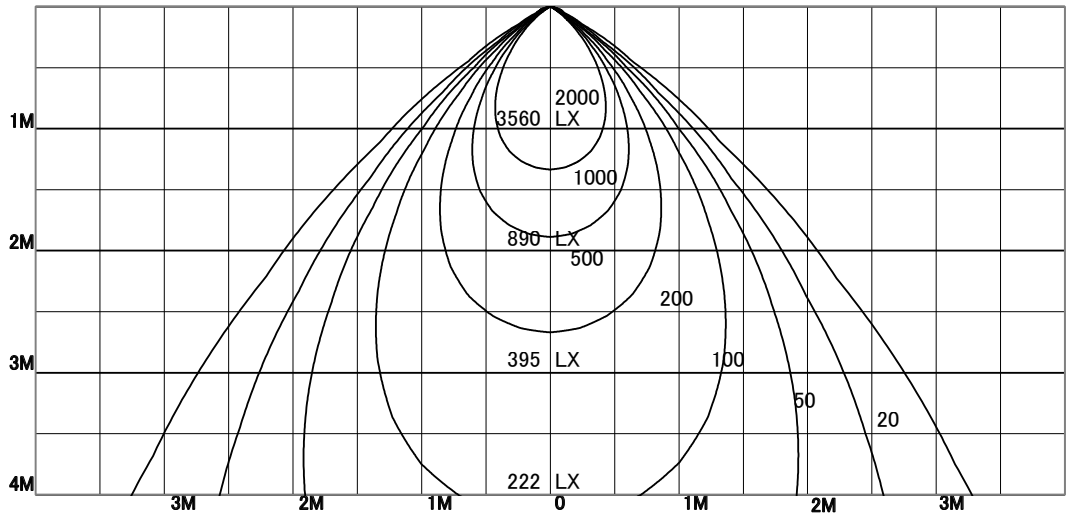
直射水平面照度

単位:Lx

A-A' Section

C-C' Section

|        |       |      |
|--------|-------|------|
| 色温度    | 4000K |      |
| 演色評価指数 | Ra90  |      |
| 保守率    | 良     | 0.69 |
|        | 中     | 0.67 |
|        | 否     | 0.63 |
| 1/2照度角 |       |      |
| A-A'   | 48.0  | Deg  |
| C-C'   | 48.0  | Deg  |
| 最大取付間隔 |       |      |
| A-A'   | 0.89  | H    |
| C-C'   | 0.89  | H    |



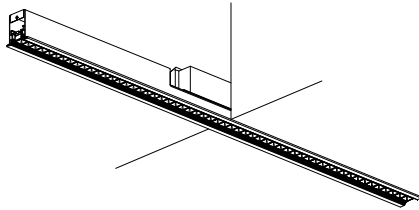
照明率表

|       | 80% |     |     |     | 70% |     |     |     | 50% |     |     |     | 30% |     |     |     | 0%  |
|-------|-----|-----|-----|-----|-----|-----|-----|-----|-----|-----|-----|-----|-----|-----|-----|-----|-----|
|       | 70% | 50% | 30% | 10% | 70% | 50% | 30% | 10% | 70% | 50% | 30% | 10% | 70% | 50% | 30% | 10% | 0%  |
| 天井    |     |     |     |     |     |     |     |     |     |     |     |     |     |     |     |     |     |
| 壁     |     |     |     |     |     |     |     |     |     |     |     |     |     |     |     |     |     |
| 床     |     | 10% |     |     |     | 10% |     |     |     | 10% |     |     |     | 10% |     |     | 0%  |
| 0.60  | 82  | 75  | 70  | 67  | 81  | 74  | 70  | 67  | 79  | 74  | 70  | 67  | 78  | 73  | 70  | 67  | 66  |
| 0.80  | 88  | 81  | 77  | 74  | 87  | 81  | 77  | 74  | 85  | 80  | 76  | 74  | 84  | 79  | 76  | 73  | 72  |
| 1.00  | 92  | 87  | 83  | 80  | 91  | 86  | 83  | 80  | 90  | 85  | 82  | 79  | 88  | 84  | 81  | 79  | 78  |
| 1.25  | 96  | 91  | 88  | 85  | 95  | 91  | 87  | 85  | 93  | 89  | 87  | 84  | 91  | 88  | 86  | 84  | 82  |
| 1.50  | 99  | 94  | 91  | 89  | 98  | 94  | 91  | 88  | 96  | 92  | 90  | 88  | 94  | 91  | 89  | 87  | 85  |
| 2.00  | 102 | 99  | 97  | 94  | 101 | 98  | 96  | 94  | 99  | 97  | 95  | 93  | 97  | 95  | 94  | 92  | 91  |
| 2.50  | 104 | 102 | 100 | 98  | 103 | 101 | 99  | 98  | 101 | 100 | 98  | 97  | 100 | 98  | 97  | 96  | 94  |
| 3.00  | 106 | 104 | 102 | 101 | 105 | 103 | 102 | 100 | 103 | 101 | 100 | 99  | 101 | 100 | 99  | 98  | 96  |
| 4.00  | 107 | 106 | 105 | 103 | 106 | 105 | 104 | 103 | 104 | 103 | 102 | 101 | 102 | 101 | 101 | 100 | 98  |
| 5.00  | 108 | 107 | 106 | 105 | 107 | 106 | 105 | 104 | 105 | 104 | 103 | 103 | 103 | 102 | 102 | 101 | 99  |
| 7.00  | 109 | 108 | 107 | 107 | 108 | 107 | 107 | 106 | 106 | 105 | 105 | 104 | 104 | 103 | 103 | 103 | 100 |
| 10.00 | 109 | 109 | 108 | 108 | 108 | 108 | 107 | 107 | 106 | 106 | 106 | 105 | 104 | 104 | 104 | 103 | 101 |

# 屋内照明器具特性



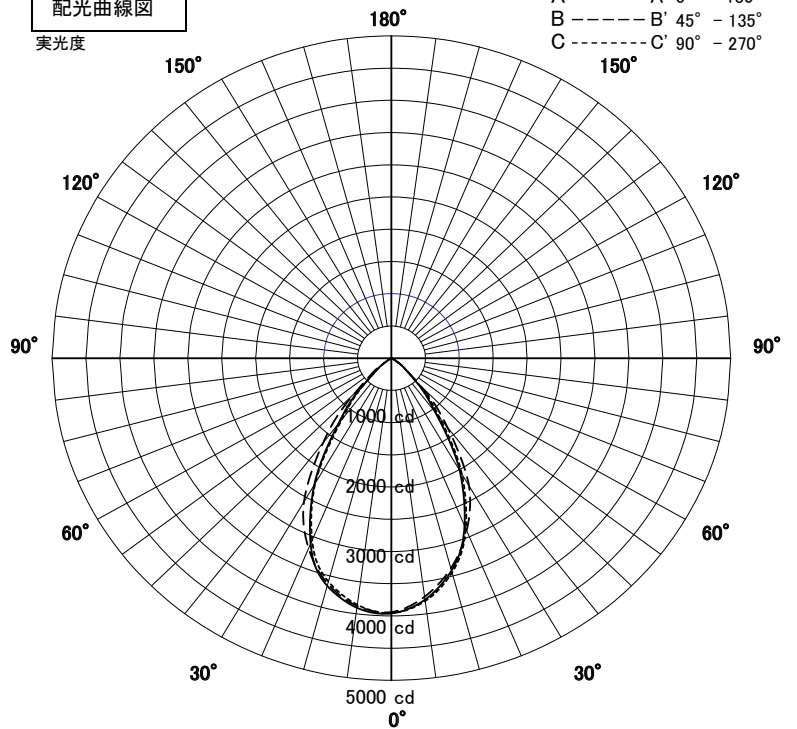
|                |                   |    |            |
|----------------|-------------------|----|------------|
| 品名             | DD-3642-W+OP-1003 |    |            |
| 光源             | LED_38W×1         |    |            |
| 実効光束<br>(器具光束) | 4,317 lm          | 効率 | 113.6 lm/W |



【ルーバー】OP-1003: 銀色鏡面

配光曲線図

実光度



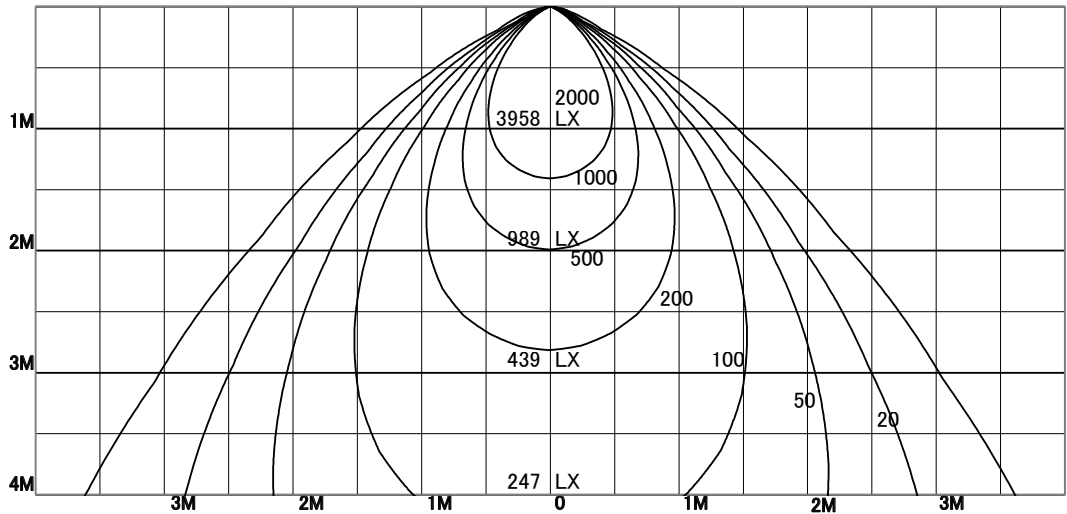
直射水平面照度

単位: Lx

A-A' Section

C-C' Section

|        |       |      |
|--------|-------|------|
| 色温度    | 4000K |      |
| 演色評価指数 | Ra90  |      |
| 保守率    | 良     | 0.69 |
|        | 中     | 0.67 |
|        | 否     | 0.63 |
| 1/2照度角 |       |      |
| A-A'   | 51.0  | Deg  |
| C-C'   | 50.5  | Deg  |
| 最大取付間隔 |       |      |
| A-A'   | 0.95  | H    |
| C-C'   | 0.94  | H    |



照明率表

|       | 80% |     |     |     | 70% |     |     |     | 50% |     |     |     | 30% |     |     |     | 0%  |
|-------|-----|-----|-----|-----|-----|-----|-----|-----|-----|-----|-----|-----|-----|-----|-----|-----|-----|
|       | 70% | 50% | 30% | 10% | 70% | 50% | 30% | 10% | 70% | 50% | 30% | 10% | 70% | 50% | 30% | 10% | 0%  |
| 天井    |     |     |     |     |     |     |     |     |     |     |     |     |     |     |     |     |     |
| 壁     |     |     |     |     |     |     |     |     |     |     |     |     |     |     |     |     |     |
| 床     |     | 10% |     |     |     | 10% |     |     |     | 10% |     |     |     | 10% |     |     | 0%  |
| 0.60  | 79  | 72  | 67  | 63  | 78  | 71  | 67  | 63  | 77  | 70  | 66  | 63  | 75  | 70  | 66  | 63  | 62  |
| 0.80  | 86  | 79  | 74  | 71  | 85  | 78  | 74  | 71  | 83  | 77  | 73  | 70  | 81  | 76  | 73  | 70  | 69  |
| 1.00  | 91  | 85  | 80  | 77  | 90  | 84  | 80  | 77  | 88  | 83  | 79  | 77  | 86  | 82  | 79  | 76  | 75  |
| 1.25  | 95  | 90  | 86  | 83  | 94  | 89  | 85  | 82  | 92  | 88  | 84  | 82  | 90  | 86  | 84  | 81  | 80  |
| 1.50  | 97  | 93  | 89  | 87  | 96  | 92  | 89  | 86  | 94  | 91  | 88  | 86  | 92  | 89  | 87  | 85  | 83  |
| 2.00  | 101 | 98  | 95  | 93  | 100 | 97  | 95  | 92  | 98  | 96  | 93  | 92  | 96  | 94  | 92  | 91  | 89  |
| 2.50  | 104 | 101 | 99  | 97  | 103 | 100 | 98  | 96  | 100 | 98  | 97  | 95  | 99  | 97  | 95  | 94  | 92  |
| 3.00  | 105 | 103 | 101 | 100 | 104 | 102 | 100 | 99  | 102 | 100 | 99  | 98  | 100 | 99  | 98  | 97  | 95  |
| 4.00  | 106 | 105 | 104 | 102 | 105 | 104 | 103 | 102 | 103 | 102 | 101 | 100 | 101 | 100 | 100 | 99  | 97  |
| 5.00  | 107 | 106 | 105 | 104 | 106 | 105 | 104 | 103 | 104 | 103 | 102 | 102 | 102 | 101 | 101 | 100 | 98  |
| 7.00  | 108 | 107 | 107 | 106 | 107 | 106 | 106 | 105 | 105 | 104 | 104 | 103 | 103 | 102 | 102 | 102 | 99  |
| 10.00 | 109 | 108 | 108 | 107 | 108 | 107 | 107 | 106 | 105 | 105 | 105 | 104 | 103 | 103 | 103 | 103 | 100 |