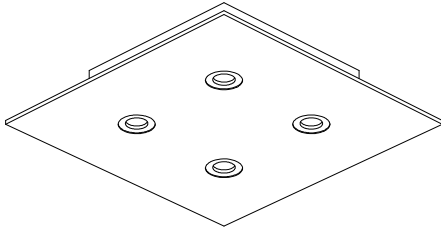


# 屋内照明器具特性

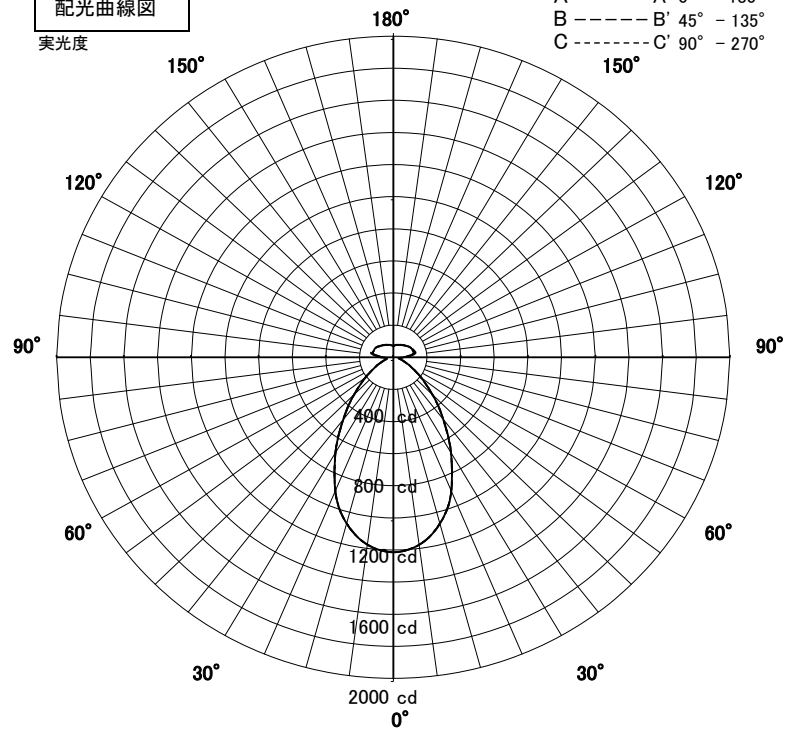


|                |                 |    |          |
|----------------|-----------------|----|----------|
| 品名             | LD-2942         |    |          |
| 光源             | LDF7L-H-GX53/90 |    |          |
| 実効光束<br>(器具光束) | 2432lm          | 効率 | 83.2lm/W |



配光曲線図

実光度



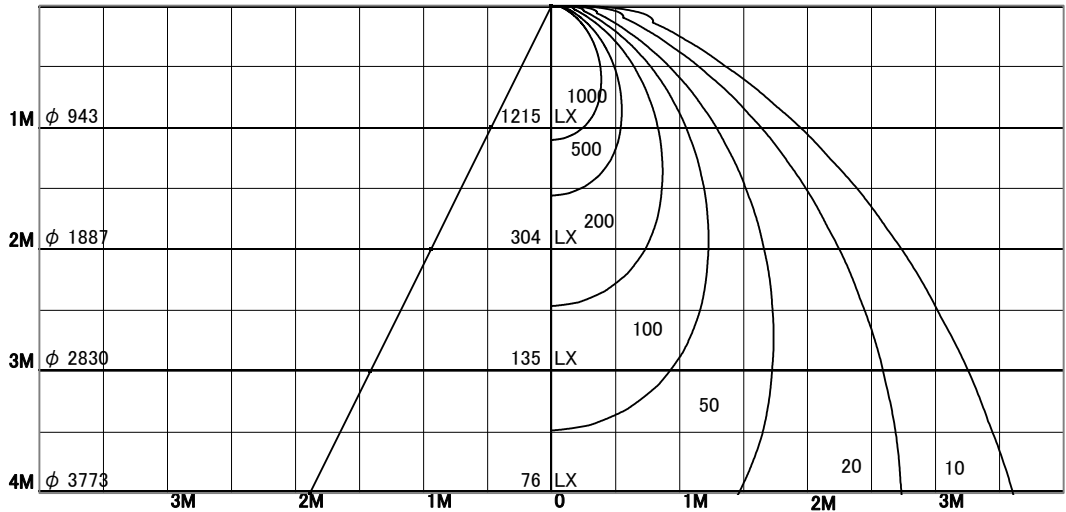
1/2照度角

直射水平面照度

単位:Lx

|        |       |      |
|--------|-------|------|
| 色温度    | 2700K |      |
| 演色評価指数 | Ra80  |      |
| 保守率    | 良     | 0.8  |
|        | 中     | 0.6  |
|        | 否     | 0.54 |

|        |      |     |
|--------|------|-----|
| 1/2照度角 |      |     |
| A-A'   | 50.5 | Deg |
| C-C'   | 50.5 | Deg |
| 最大取付間隔 |      |     |
| A-A'   | 0.94 | H   |
| C-C'   | 0.94 | H   |



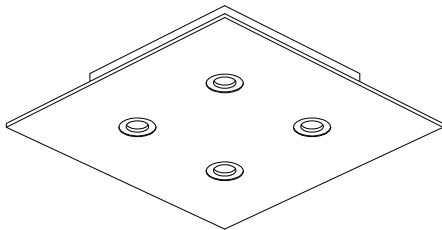
照明率表

| 天井    | 80% |     |     |     | 70% |     |     |     | 50% |     |     |     | 30% |     |     |     | 0% |
|-------|-----|-----|-----|-----|-----|-----|-----|-----|-----|-----|-----|-----|-----|-----|-----|-----|----|
|       | 70% | 50% | 30% | 10% | 70% | 50% | 30% | 10% | 70% | 50% | 30% | 10% | 70% | 50% | 30% | 10% | 0% |
| 壁     | 10% |     |     |     |     |     |     |     |     |     |     |     |     |     |     |     | 0% |
| 床     | 10% |     |     |     |     |     |     |     |     |     |     |     |     |     |     |     | 0% |
| 0.60  | 47  | 40  | 35  | 32  | 46  | 40  | 35  | 32  | 45  | 39  | 35  | 32  | 43  | 38  | 35  | 32  | 31 |
| 0.80  | 52  | 46  | 41  | 38  | 51  | 45  | 41  | 38  | 50  | 44  | 41  | 38  | 48  | 44  | 40  | 38  | 36 |
| 1.00  | 56  | 50  | 46  | 43  | 55  | 50  | 46  | 43  | 54  | 49  | 45  | 43  | 52  | 48  | 45  | 42  | 41 |
| 1.25  | 60  | 55  | 51  | 47  | 59  | 54  | 50  | 47  | 57  | 53  | 50  | 47  | 56  | 52  | 49  | 47  | 45 |
| 1.50  | 62  | 58  | 54  | 51  | 61  | 57  | 53  | 51  | 60  | 56  | 53  | 50  | 58  | 55  | 52  | 50  | 48 |
| 2.00  | 66  | 62  | 59  | 56  | 65  | 61  | 58  | 56  | 63  | 60  | 57  | 55  | 61  | 59  | 57  | 55  | 53 |
| 2.50  | 68  | 65  | 62  | 59  | 67  | 64  | 61  | 59  | 65  | 63  | 60  | 58  | 63  | 61  | 59  | 58  | 56 |
| 3.00  | 69  | 66  | 64  | 62  | 68  | 66  | 63  | 62  | 66  | 64  | 62  | 61  | 65  | 63  | 61  | 60  | 58 |
| 4.00  | 71  | 68  | 66  | 65  | 70  | 68  | 66  | 64  | 68  | 66  | 65  | 63  | 66  | 65  | 64  | 62  | 61 |
| 5.00  | 71  | 70  | 68  | 66  | 71  | 69  | 67  | 66  | 69  | 67  | 66  | 65  | 67  | 66  | 65  | 64  | 62 |
| 7.00  | 73  | 71  | 70  | 69  | 72  | 70  | 69  | 68  | 70  | 69  | 68  | 67  | 68  | 67  | 67  | 66  | 64 |
| 10.00 | 73  | 72  | 71  | 70  | 72  | 71  | 71  | 70  | 71  | 70  | 69  | 68  | 69  | 68  | 68  | 67  | 65 |

# 屋内照明器具特性

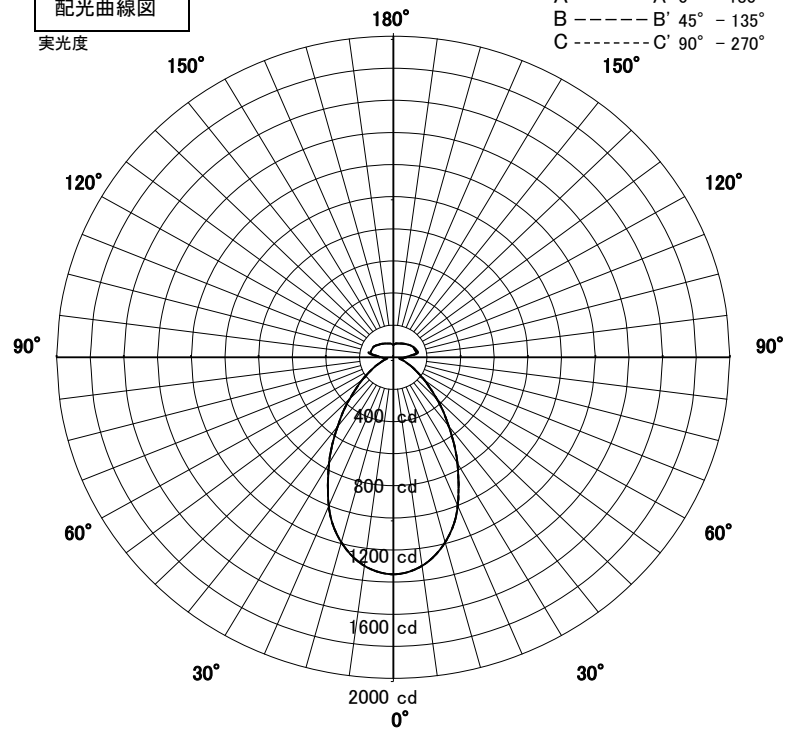


|                |                 |    |          |
|----------------|-----------------|----|----------|
| 品名             | LD-2942         |    |          |
| 光源             | LDF7N-H-GX53/90 |    |          |
| 実効光束<br>(器具光束) | 2705lm          | 効率 | 92.6lm/W |



配光曲線図

実光度



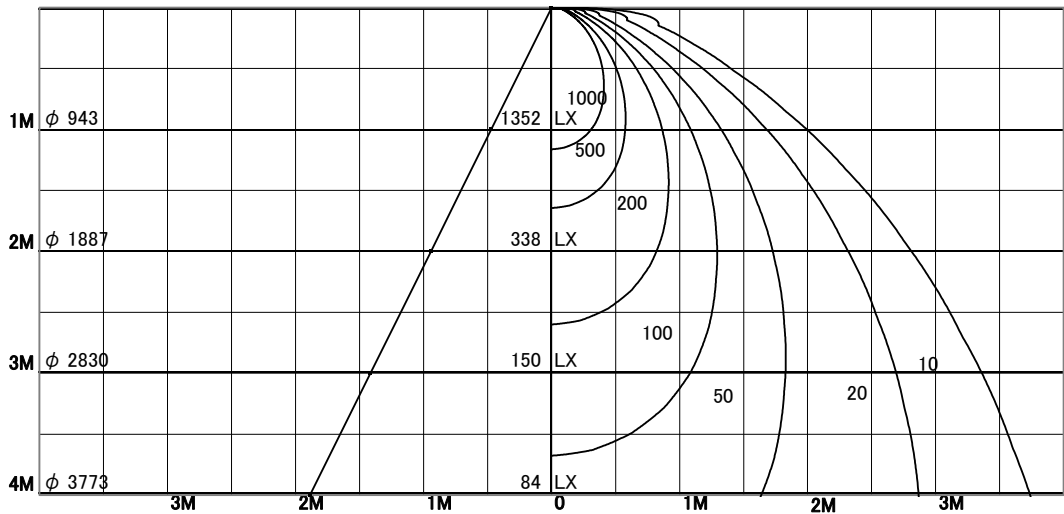
1/2照度角

直射水平面照度

単位: Lx

|        |       |      |
|--------|-------|------|
| 色温度    | 5000K |      |
| 演色評価指数 | Ra80  |      |
| 保守率    | 良     | 0.8  |
|        | 中     | 0.6  |
|        | 否     | 0.54 |

|        |      |     |
|--------|------|-----|
| 1/2照度角 |      |     |
| A-A'   | 50.5 | Deg |
| C-C'   | 50.5 | Deg |
| 最大取付間隔 |      |     |
| A-A'   | 0.94 | H   |
| C-C'   | 0.94 | H   |



照明率表

| 天井    | 80% |     |     |     | 70% |     |     |     | 50% |     |     |     | 30% |     |     |     | 0% |
|-------|-----|-----|-----|-----|-----|-----|-----|-----|-----|-----|-----|-----|-----|-----|-----|-----|----|
|       | 70% | 50% | 30% | 10% | 70% | 50% | 30% | 10% | 70% | 50% | 30% | 10% | 70% | 50% | 30% | 10% | 0% |
| 壁     | 10% |     |     |     |     |     |     |     |     |     |     |     |     |     |     |     | 0% |
| 床     | 10% |     |     |     |     |     |     |     |     |     |     |     |     |     |     |     | 0% |
| 0.60  | 47  | 40  | 35  | 32  | 46  | 40  | 35  | 32  | 45  | 39  | 35  | 32  | 43  | 38  | 35  | 32  | 31 |
| 0.80  | 52  | 46  | 41  | 38  | 51  | 45  | 41  | 38  | 50  | 44  | 41  | 38  | 48  | 44  | 40  | 38  | 36 |
| 1.00  | 56  | 50  | 46  | 43  | 55  | 50  | 46  | 43  | 54  | 49  | 45  | 43  | 52  | 48  | 45  | 42  | 41 |
| 1.25  | 60  | 55  | 51  | 47  | 59  | 54  | 50  | 47  | 57  | 53  | 50  | 47  | 56  | 52  | 49  | 47  | 45 |
| 1.50  | 62  | 58  | 54  | 51  | 61  | 57  | 53  | 51  | 60  | 56  | 53  | 50  | 58  | 55  | 52  | 50  | 48 |
| 2.00  | 66  | 62  | 59  | 56  | 65  | 61  | 58  | 56  | 63  | 60  | 57  | 55  | 61  | 59  | 57  | 55  | 53 |
| 2.50  | 68  | 65  | 62  | 59  | 67  | 64  | 61  | 59  | 65  | 63  | 60  | 58  | 63  | 61  | 59  | 58  | 56 |
| 3.00  | 69  | 66  | 64  | 62  | 68  | 66  | 63  | 62  | 66  | 64  | 62  | 61  | 65  | 63  | 61  | 60  | 58 |
| 4.00  | 71  | 68  | 66  | 65  | 70  | 68  | 66  | 64  | 68  | 66  | 65  | 63  | 66  | 65  | 64  | 62  | 61 |
| 5.00  | 71  | 70  | 68  | 66  | 71  | 69  | 67  | 66  | 69  | 67  | 66  | 65  | 67  | 66  | 65  | 64  | 62 |
| 7.00  | 73  | 71  | 70  | 69  | 72  | 70  | 69  | 68  | 70  | 69  | 68  | 67  | 68  | 67  | 67  | 66  | 64 |
| 10.00 | 73  | 72  | 71  | 70  | 72  | 71  | 71  | 70  | 71  | 70  | 69  | 68  | 69  | 68  | 68  | 67  | 65 |