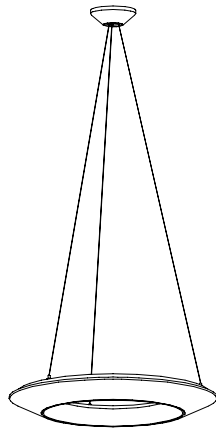


# 屋内照明器具特性

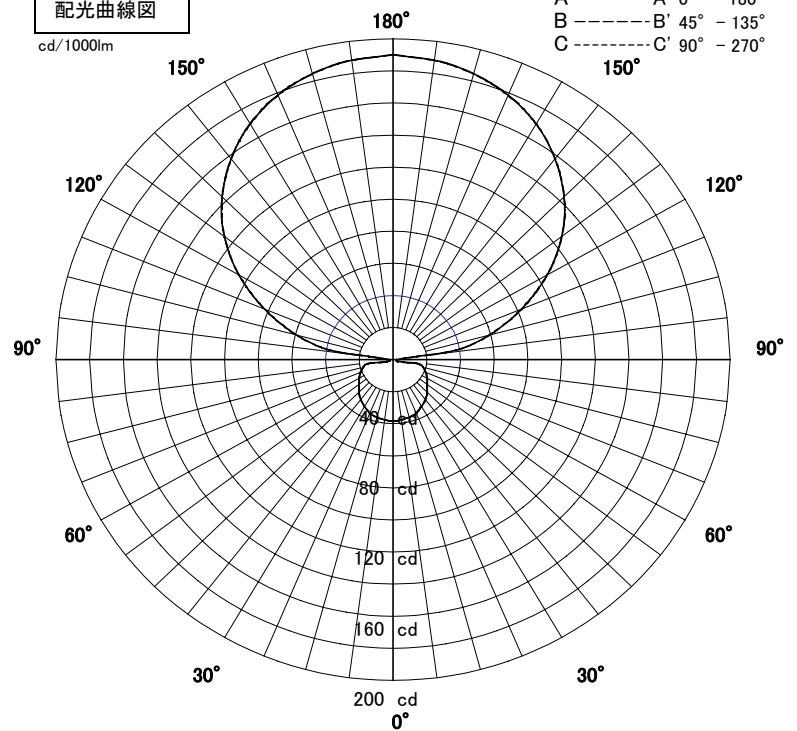


|    |                |    |     |
|----|----------------|----|-----|
| 品名 | PF-2359        |    |     |
| 光源 | EFD15EL/13-E17 |    |     |
| 光束 | 810 Lm         | 灯数 | 9 灯 |



配光曲線図

cd/1000lm



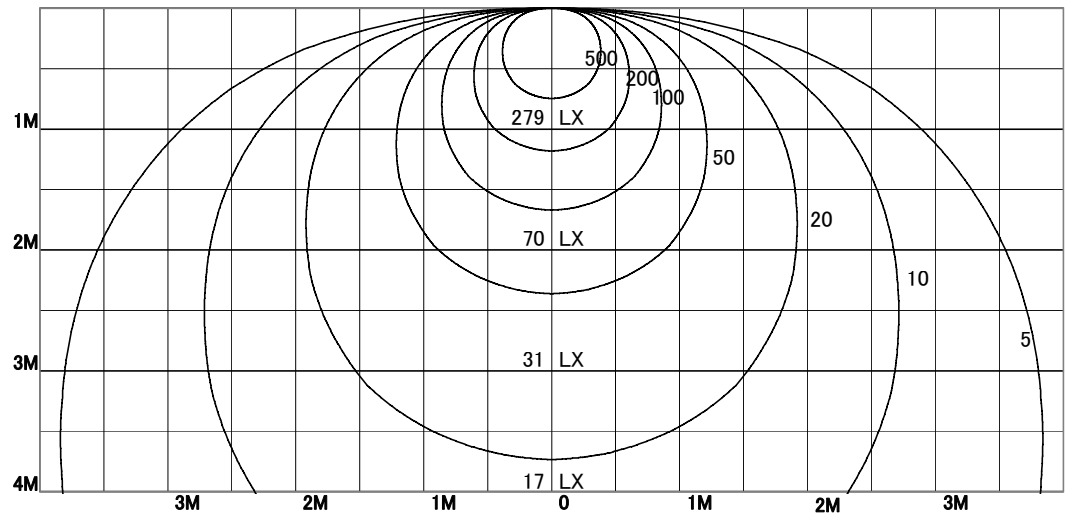
直射水平面照度

单位:Lx

A-A' Section

C-C' Section

|        |      |      |
|--------|------|------|
| 器具効率   | 79.4 | %    |
| 上方効率   | 64.8 | %    |
| 下方効率   | 14.5 | %    |
| 保守率    | 良    | 0.77 |
|        | 中    | 0.74 |
|        | 否    | 0.7  |
| 1/2照度角 |      |      |
| A-A'   | 66.5 | H    |
| B-B'   | 66.5 | H    |
| 最大取付間隔 |      |      |
| A-A'   | 1.31 | H    |
| B-B'   | 1.31 | H    |



照明率表

| 天井    | 80% |     |     |     | 70% |     |     |     | 50% |     |     |     | 30% |     |     |     | 0% |
|-------|-----|-----|-----|-----|-----|-----|-----|-----|-----|-----|-----|-----|-----|-----|-----|-----|----|
|       | 70% | 50% | 30% | 10% | 70% | 50% | 30% | 10% | 70% | 50% | 30% | 10% | 70% | 50% | 30% | 10% | 0% |
| 壁     | 10% |     |     |     |     |     |     |     |     |     |     |     |     |     |     |     |    |
| 床     | 10% |     |     |     |     |     |     |     |     |     |     |     |     |     |     |     |    |
| 0.60  | 8   | 6   | 5   | 4   | 8   | 6   | 5   | 4   | 7   | 6   | 5   | 4   | 7   | 5   | 4   | 4   | 3  |
| 0.80  | 9   | 7   | 6   | 5   | 9   | 7   | 6   | 5   | 8   | 7   | 6   | 5   | 8   | 7   | 6   | 5   | 4  |
| 1.00  | 10  | 8   | 7   | 6   | 10  | 8   | 7   | 6   | 9   | 8   | 7   | 6   | 9   | 7   | 7   | 6   | 5  |
| 1.25  | 11  | 9   | 8   | 7   | 11  | 9   | 8   | 7   | 10  | 9   | 8   | 7   | 10  | 8   | 8   | 7   | 6  |
| 1.50  | 11  | 10  | 9   | 8   | 11  | 10  | 9   | 8   | 11  | 9   | 8   | 8   | 10  | 9   | 8   | 8   | 7  |
| 2.00  | 12  | 11  | 10  | 9   | 12  | 11  | 10  | 9   | 12  | 11  | 10  | 9   | 11  | 10  | 9   | 9   | 8  |
| 2.50  | 13  | 12  | 11  | 10  | 13  | 12  | 11  | 10  | 12  | 11  | 11  | 10  | 12  | 11  | 10  | 10  | 9  |
| 3.00  | 13  | 12  | 11  | 11  | 13  | 12  | 11  | 11  | 13  | 12  | 11  | 11  | 12  | 11  | 11  | 10  | 10 |
| 4.00  | 14  | 13  | 12  | 12  | 14  | 13  | 12  | 12  | 13  | 13  | 12  | 11  | 13  | 12  | 12  | 11  | 11 |
| 5.00  | 14  | 14  | 13  | 12  | 14  | 13  | 13  | 12  | 14  | 13  | 12  | 12  | 13  | 13  | 12  | 12  | 11 |
| 7.00  | 15  | 14  | 14  | 13  | 14  | 14  | 13  | 13  | 14  | 14  | 13  | 13  | 14  | 13  | 13  | 13  | 12 |
| 10.00 | 15  | 14  | 14  | 14  | 15  | 14  | 14  | 14  | 14  | 14  | 14  | 13  | 14  | 14  | 13  | 13  | 13 |