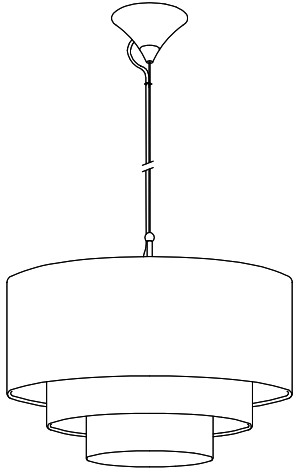


屋内照明器具特性

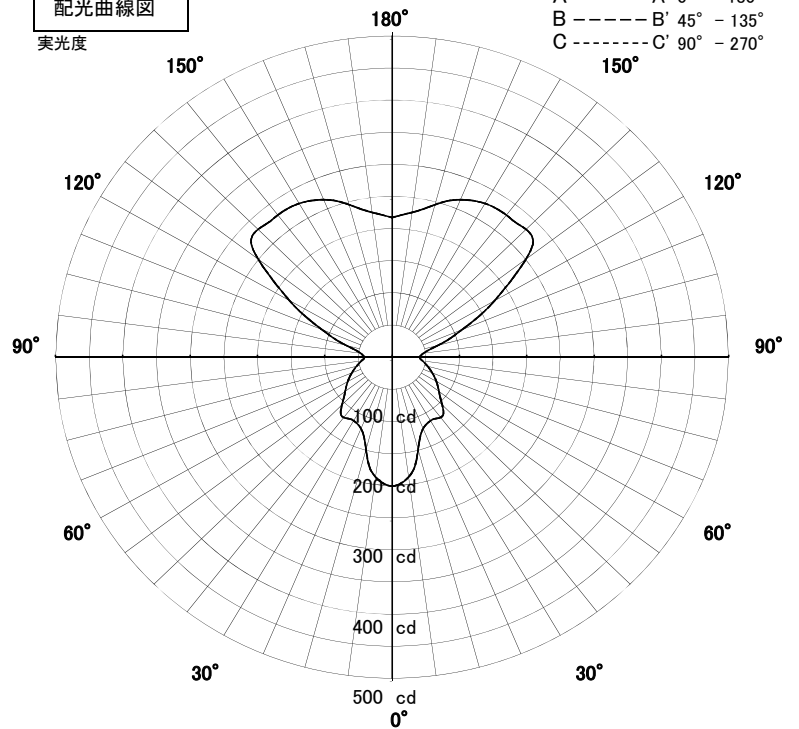


| | | | |
|----------------|-------------------|----|----------|
| 品名 | PD-2633-L | | |
| 光源 | LDA4L-G-E17/S/40W | | |
| 実効光束 (器具光束) | 1590lm | 効率 | 94.6lm/W |



配光曲線図

実光度



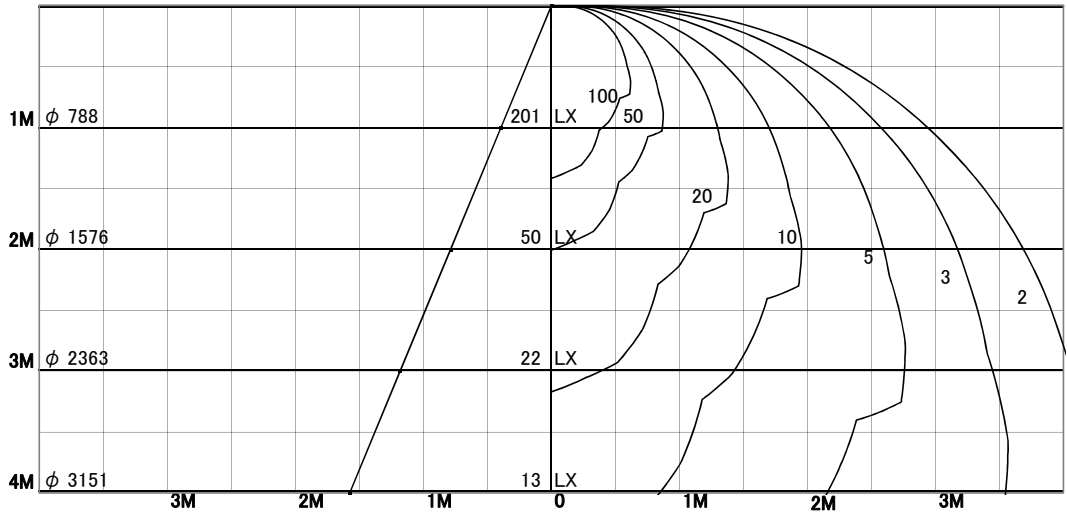
1/2照度角

直射水平面照度

単位:Lx

| | | |
|--------|-------|------|
| 色温度 | 2700K | |
| 演色評価指数 | Ra83 | |
| 保守率 | 良 | 0.67 |
| | 中 | 0.63 |
| | 否 | 0.56 |

| | | |
|--------|------|-----|
| 1/2照度角 | | |
| A-A' | 43.0 | Deg |
| C-C' | 43.0 | Deg |
| 最大取付間隔 | | |
| A-A' | 0.79 | H |
| C-C' | 0.79 | H |



照明率表

| | 80% | | | | 70% | | | | 50% | | | | 30% | | | | 0% |
|-------|-----|-----|-----|-----|-----|-----|-----|-----|-----|-----|-----|-----|-----|-----|-----|-----|----|
| | 70% | 50% | 30% | 10% | 70% | 50% | 30% | 10% | 70% | 50% | 30% | 10% | 70% | 50% | 30% | 10% | 0% |
| 天井 | 10% | | | | | | | | | | | | | | | | 0% |
| 壁 | 10% | | | | | | | | | | | | | | | | 0% |
| 床 | 10% | | | | | | | | | | | | | | | | 0% |
| 0.60 | 18 | 13 | 11 | 9 | 17 | 13 | 11 | 9 | 16 | 13 | 10 | 9 | 16 | 12 | 10 | 9 | 8 |
| 0.80 | 20 | 16 | 13 | 11 | 20 | 16 | 13 | 11 | 19 | 15 | 13 | 11 | 18 | 15 | 13 | 11 | 10 |
| 1.00 | 22 | 19 | 16 | 14 | 22 | 18 | 16 | 13 | 21 | 18 | 15 | 13 | 20 | 17 | 15 | 13 | 12 |
| 1.25 | 24 | 21 | 18 | 16 | 24 | 20 | 18 | 16 | 23 | 20 | 17 | 16 | 22 | 19 | 17 | 15 | 15 |
| 1.50 | 26 | 22 | 20 | 18 | 25 | 22 | 20 | 18 | 24 | 21 | 19 | 17 | 23 | 21 | 19 | 17 | 16 |
| 2.00 | 28 | 25 | 22 | 20 | 27 | 24 | 22 | 20 | 26 | 24 | 22 | 20 | 25 | 23 | 21 | 20 | 19 |
| 2.50 | 29 | 27 | 24 | 23 | 28 | 26 | 24 | 22 | 27 | 25 | 24 | 22 | 26 | 25 | 23 | 22 | 21 |
| 3.00 | 30 | 28 | 26 | 24 | 29 | 27 | 25 | 24 | 28 | 26 | 25 | 24 | 27 | 26 | 24 | 23 | 22 |
| 4.00 | 31 | 29 | 28 | 26 | 31 | 29 | 27 | 26 | 29 | 28 | 27 | 25 | 28 | 27 | 26 | 25 | 24 |
| 5.00 | 32 | 30 | 29 | 27 | 31 | 30 | 28 | 27 | 30 | 29 | 28 | 27 | 29 | 28 | 27 | 26 | 25 |
| 7.00 | 33 | 31 | 30 | 29 | 32 | 31 | 30 | 29 | 31 | 30 | 29 | 28 | 30 | 29 | 29 | 28 | 27 |
| 10.00 | 33 | 32 | 31 | 31 | 33 | 32 | 31 | 30 | 32 | 31 | 30 | 30 | 31 | 30 | 30 | 29 | 28 |