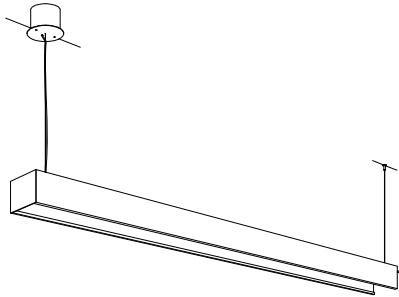


# 屋内照明器具特性

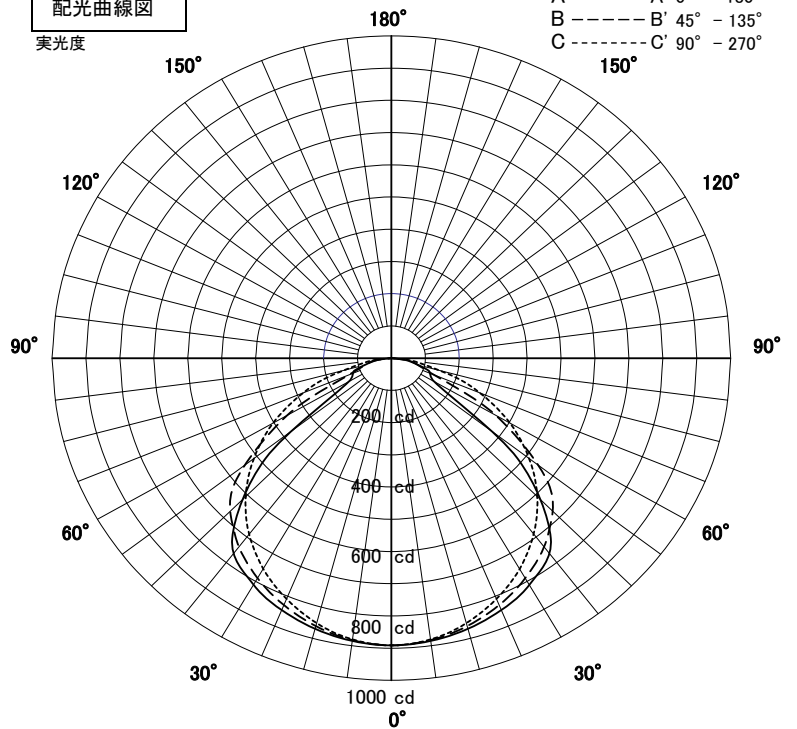


|                |            |    |           |
|----------------|------------|----|-----------|
| 品名             | YLD-9027-L |    |           |
| 光源             | LED22.8W   |    |           |
| 実効光束<br>(器具光束) | 2415lm     | 効率 | 105.9lm/W |



配光曲線図

実光度



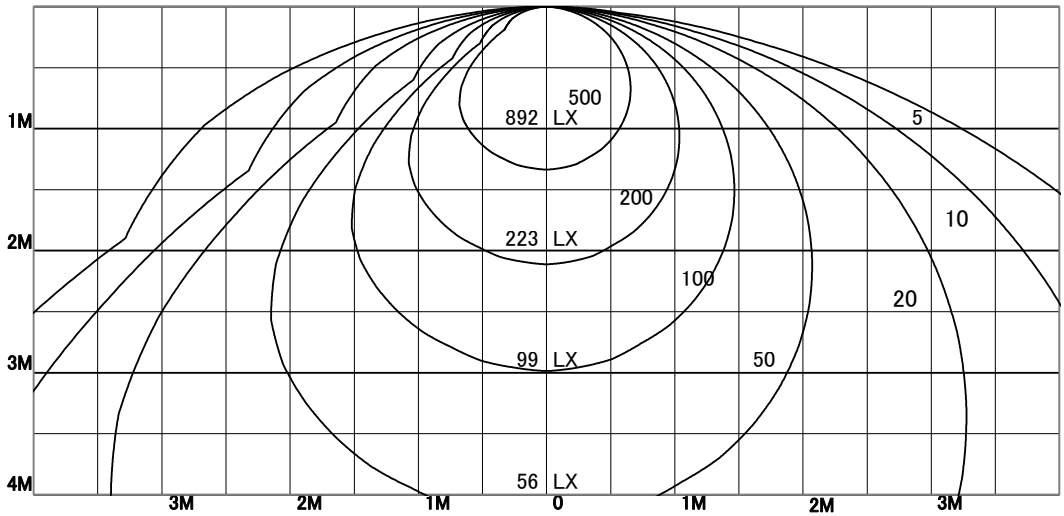
直射水平面照度

単位:Lx

A-A' Section

C-C' Section

|        |       |      |
|--------|-------|------|
| 色温度    | 3000K |      |
| 演色評価指数 | Ra83  |      |
| 保守率    | 良     | 0.67 |
|        | 中     | 0.63 |
|        | 否     | 0.56 |
| 1/2照度角 |       |      |
| A-A'   | 68.5  | Deg  |
| C-C'   | 64.5  | Deg  |
| 最大取付間隔 |       |      |
| A-A'   | 1.36  | H    |
| C-C'   | 1.26  | H    |



照明率表

| 天井    | 80% |     |     |     | 70% |     |     |     | 50% |     |     |     | 30% |     |     |     | 0% |
|-------|-----|-----|-----|-----|-----|-----|-----|-----|-----|-----|-----|-----|-----|-----|-----|-----|----|
|       | 70% | 50% | 30% | 10% | 70% | 50% | 30% | 10% | 70% | 50% | 30% | 10% | 70% | 50% | 30% | 10% | 0% |
| 壁     |     |     |     |     |     |     |     |     |     |     |     |     |     |     |     |     |    |
| 床     |     |     |     |     |     |     |     |     |     |     |     |     |     |     |     |     |    |
| 0.60  | 48  | 39  | 32  | 28  | 47  | 38  | 32  | 28  | 45  | 37  | 32  | 28  | 43  | 36  | 32  | 28  | 26 |
| 0.80  | 56  | 47  | 41  | 36  | 55  | 46  | 40  | 36  | 52  | 45  | 40  | 36  | 50  | 44  | 39  | 36  | 34 |
| 1.00  | 61  | 53  | 47  | 43  | 60  | 52  | 47  | 43  | 58  | 51  | 46  | 42  | 56  | 50  | 46  | 42  | 40 |
| 1.25  | 66  | 59  | 53  | 49  | 65  | 58  | 53  | 49  | 63  | 57  | 52  | 49  | 61  | 56  | 51  | 48  | 46 |
| 1.50  | 70  | 63  | 58  | 54  | 69  | 62  | 58  | 54  | 66  | 61  | 57  | 53  | 64  | 60  | 56  | 53  | 51 |
| 2.00  | 75  | 69  | 65  | 61  | 73  | 68  | 64  | 61  | 71  | 67  | 63  | 60  | 69  | 65  | 62  | 60  | 58 |
| 2.50  | 77  | 73  | 69  | 66  | 76  | 72  | 69  | 66  | 74  | 70  | 67  | 65  | 72  | 69  | 66  | 64  | 62 |
| 3.00  | 79  | 76  | 72  | 69  | 78  | 75  | 72  | 69  | 76  | 73  | 70  | 68  | 74  | 71  | 69  | 67  | 65 |
| 4.00  | 81  | 78  | 76  | 73  | 80  | 78  | 75  | 73  | 78  | 76  | 74  | 72  | 76  | 74  | 72  | 71  | 69 |
| 5.00  | 83  | 80  | 78  | 76  | 82  | 79  | 77  | 75  | 80  | 78  | 76  | 74  | 78  | 76  | 74  | 73  | 71 |
| 7.00  | 84  | 82  | 81  | 79  | 83  | 81  | 80  | 78  | 81  | 80  | 78  | 77  | 79  | 78  | 77  | 76  | 74 |
| 10.00 | 85  | 84  | 83  | 81  | 84  | 83  | 82  | 81  | 82  | 81  | 80  | 79  | 80  | 79  | 79  | 78  | 75 |