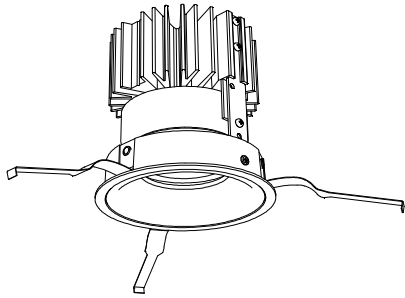


屋内照明器具特性

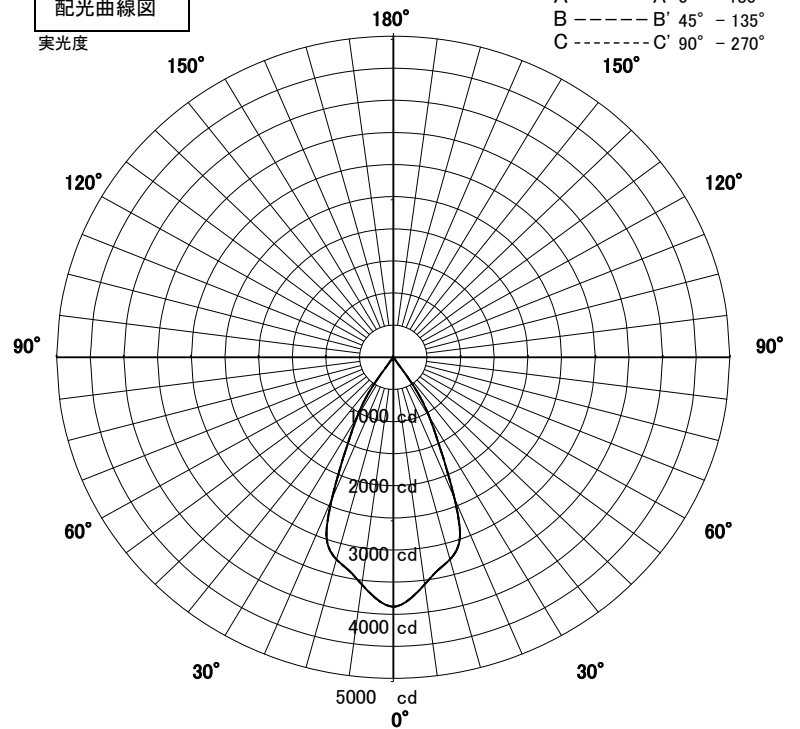


| | | | |
|----------------|-----------|----|----------|
| 品名 | DD-3506-N | | |
| 光源 | LED27.0W | | |
| 実効光束 (器具光束) | 2476lm | 効率 | 91.6lm/W |



配光曲線図

実光度

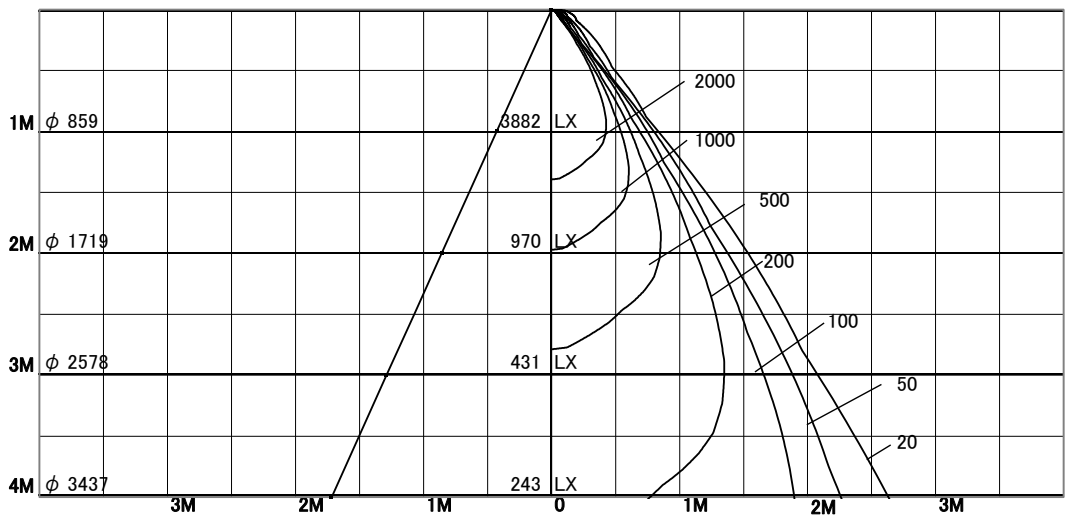


1/2照度角

直射水平面照度

単位:Lx

| | | |
|--------|-------|------|
| 器具効率 | 71.2% | |
| 色温度 | 5000K | |
| 演色評価指数 | Ra83 | |
| 保守率 | 良 | 0.67 |
| | 中 | 0.63 |
| | 否 | 0.56 |



| | | |
|--------|------|-----|
| 1/2照度角 | | |
| A-A' | 46.5 | Deg |
| C-C' | 46.5 | Deg |
| 最大取付間隔 | | |
| A-A' | 0.86 | H |
| C-C' | 0.86 | H |

照明率表

| | 80% | | | | 70% | | | | 50% | | | | 30% | | | | 0% |
|-------|-----|-----|-----|-----|-----|-----|-----|-----|-----|-----|-----|-----|-----|-----|-----|-----|----|
| | 70% | 50% | 30% | 10% | 70% | 50% | 30% | 10% | 70% | 50% | 30% | 10% | 70% | 50% | 30% | 10% | 0% |
| 天井 | 10% | | | | | | | | | | | | | | | | 0% |
| 壁 | 10% | | | | | | | | | | | | | | | | 0% |
| 床 | 10% | | | | | | | | | | | | | | | | 0% |
| 0.60 | 51 | 47 | 45 | 44 | 50 | 47 | 45 | 44 | 49 | 47 | 45 | 44 | 49 | 46 | 45 | 44 | 43 |
| 0.80 | 53 | 50 | 48 | 47 | 53 | 50 | 48 | 47 | 52 | 49 | 48 | 46 | 51 | 49 | 47 | 46 | 46 |
| 1.00 | 56 | 53 | 51 | 50 | 55 | 53 | 51 | 49 | 54 | 52 | 50 | 49 | 53 | 51 | 50 | 49 | 48 |
| 1.25 | 57 | 55 | 53 | 52 | 57 | 55 | 53 | 52 | 56 | 54 | 52 | 51 | 55 | 53 | 52 | 51 | 50 |
| 1.50 | 58 | 56 | 55 | 54 | 58 | 56 | 55 | 53 | 57 | 55 | 54 | 53 | 56 | 55 | 53 | 53 | 52 |
| 2.00 | 60 | 59 | 58 | 57 | 60 | 58 | 57 | 56 | 59 | 58 | 57 | 56 | 58 | 57 | 56 | 55 | 54 |
| 2.50 | 61 | 60 | 59 | 59 | 61 | 60 | 59 | 58 | 60 | 59 | 58 | 58 | 59 | 58 | 58 | 57 | 56 |
| 3.00 | 62 | 61 | 61 | 60 | 62 | 61 | 60 | 60 | 61 | 60 | 59 | 59 | 60 | 59 | 59 | 58 | 57 |
| 4.00 | 63 | 62 | 62 | 61 | 62 | 62 | 61 | 61 | 61 | 61 | 60 | 60 | 60 | 60 | 60 | 59 | 58 |
| 5.00 | 63 | 63 | 63 | 62 | 63 | 62 | 62 | 62 | 62 | 61 | 61 | 61 | 60 | 60 | 60 | 60 | 59 |
| 7.00 | 64 | 64 | 63 | 63 | 63 | 63 | 63 | 63 | 62 | 62 | 62 | 62 | 61 | 61 | 61 | 61 | 59 |
| 10.00 | 64 | 64 | 64 | 64 | 63 | 63 | 63 | 63 | 62 | 62 | 62 | 62 | 61 | 61 | 61 | 61 | 60 |