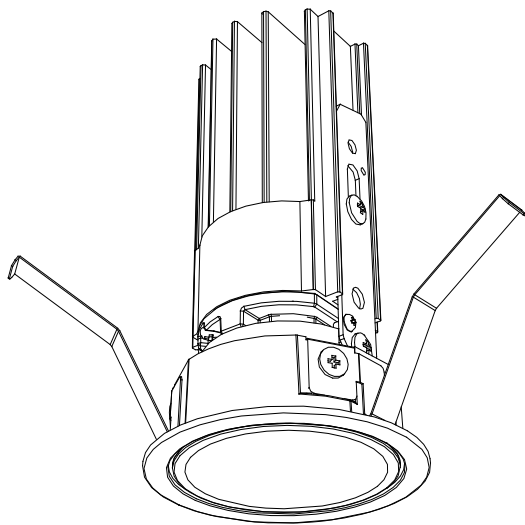


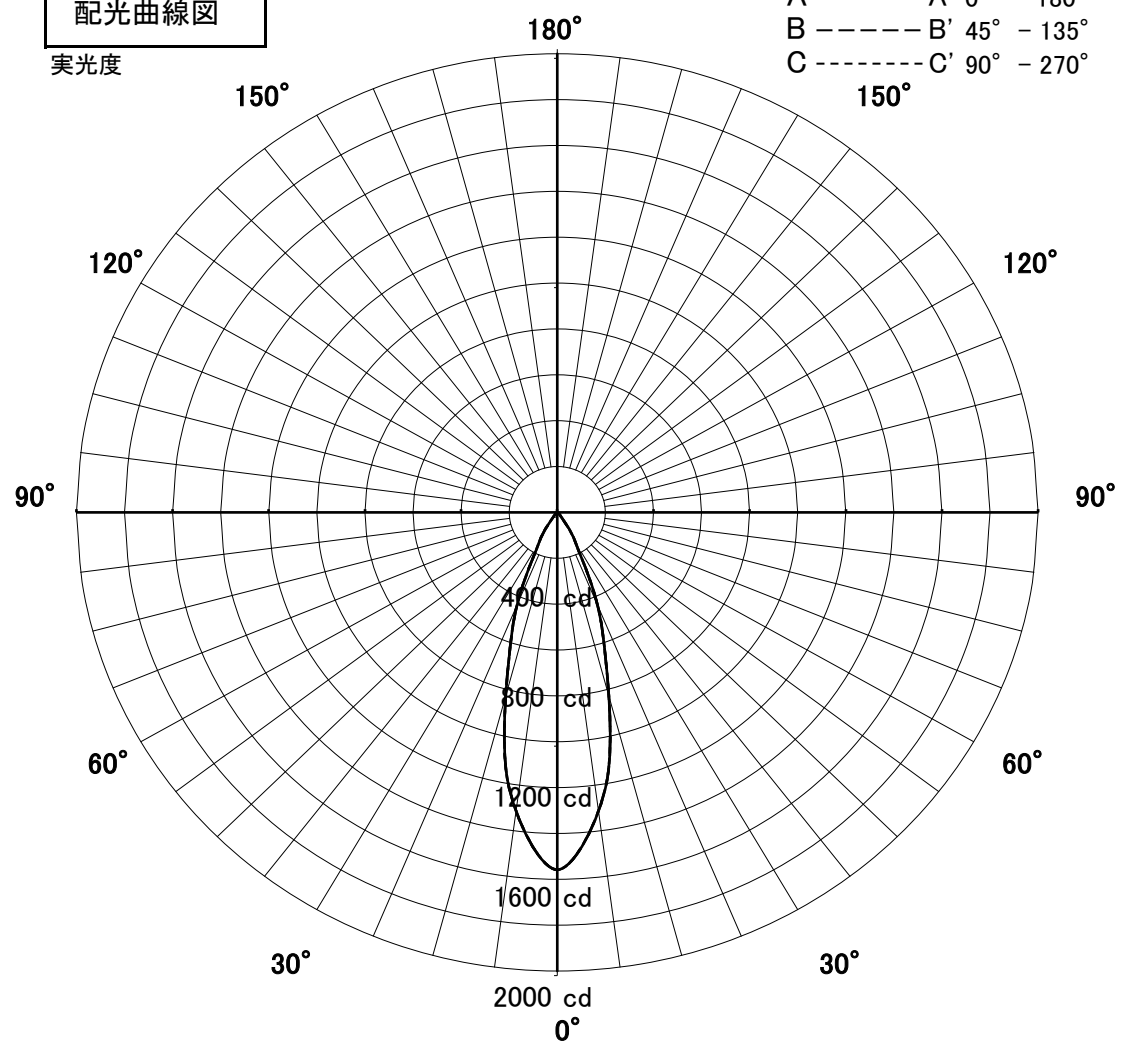
# 屋内照明器具特性



|                |           |             |          |
|----------------|-----------|-------------|----------|
| 品名             | DD-3575-L |             |          |
| 光源             | LED10.3W  |             |          |
| 実効光束<br>(器具光束) | 574lm     | エネルギー<br>効率 | 55.7lm/W |



配光曲線図  
実光度

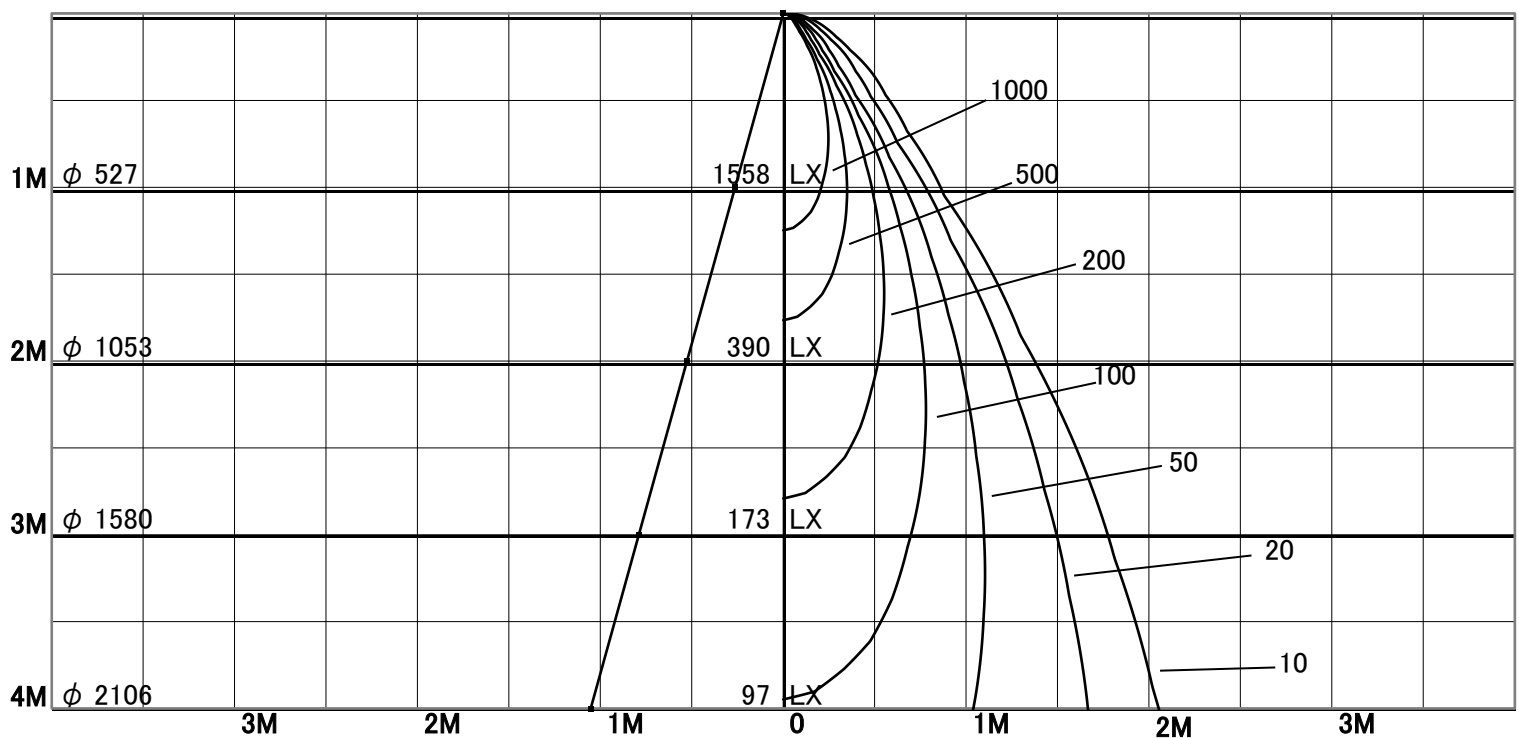


1/2照度角

直射水平面照度

単位: Lx

|        |       |      |
|--------|-------|------|
| 器具効率   | 55.8% |      |
| 色温度    | 3000K |      |
| 演色評価指数 | Ra83  |      |
| 保守率    | 良     | 0.67 |
|        | 中     | 0.63 |
|        | 否     | 0.56 |
| 1/2照度角 |       |      |
| A-A'   | 29.5  | Deg  |
| C-C'   | 29.5  | Deg  |
| 最大取付間隔 |       |      |
| A-A'   | 0.53  | H    |
| C-C'   | 0.53  | H    |



固有照明率表

|       | 80% |     |     |     | 70% |     |     |     | 50% |     |     |     | 30% |     |     |     | 0%  |
|-------|-----|-----|-----|-----|-----|-----|-----|-----|-----|-----|-----|-----|-----|-----|-----|-----|-----|
|       | 70% | 50% | 30% | 10% | 70% | 50% | 30% | 10% | 70% | 50% | 30% | 10% | 70% | 50% | 30% | 10% | 0%  |
| 天井    | 10% |     |     |     |     |     |     |     |     |     |     |     |     |     |     |     | 0%  |
| 壁     | 10% |     |     |     |     |     |     |     |     |     |     |     |     |     |     |     | 0%  |
| 床     | 10% |     |     |     |     |     |     |     |     |     |     |     |     |     |     |     | 0%  |
| 0.60  | 86  | 80  | 77  | 74  | 86  | 80  | 76  | 74  | 84  | 79  | 76  | 74  | 83  | 79  | 76  | 74  | 73  |
| 0.80  | 91  | 86  | 82  | 79  | 90  | 85  | 82  | 79  | 89  | 84  | 81  | 79  | 87  | 84  | 81  | 78  | 77  |
| 1.00  | 95  | 91  | 87  | 84  | 95  | 90  | 87  | 84  | 93  | 89  | 86  | 84  | 91  | 88  | 85  | 83  | 82  |
| 1.25  | 99  | 94  | 91  | 89  | 98  | 94  | 91  | 88  | 96  | 92  | 90  | 88  | 94  | 91  | 89  | 87  | 86  |
| 1.50  | 101 | 97  | 94  | 92  | 100 | 96  | 94  | 91  | 98  | 95  | 93  | 91  | 96  | 94  | 92  | 90  | 88  |
| 2.00  | 104 | 101 | 99  | 97  | 103 | 100 | 98  | 97  | 101 | 99  | 97  | 96  | 99  | 98  | 96  | 95  | 93  |
| 2.50  | 106 | 104 | 102 | 101 | 105 | 103 | 102 | 100 | 103 | 102 | 100 | 99  | 101 | 100 | 99  | 98  | 96  |
| 3.00  | 107 | 106 | 104 | 103 | 106 | 105 | 104 | 103 | 105 | 103 | 102 | 101 | 103 | 102 | 101 | 100 | 98  |
| 4.00  | 109 | 108 | 107 | 106 | 108 | 107 | 106 | 105 | 106 | 105 | 104 | 104 | 104 | 103 | 103 | 102 | 100 |
| 5.00  | 109 | 109 | 108 | 107 | 108 | 108 | 107 | 106 | 106 | 106 | 105 | 105 | 105 | 104 | 104 | 103 | 101 |
| 7.00  | 110 | 110 | 110 | 109 | 109 | 109 | 109 | 108 | 107 | 107 | 107 | 107 | 105 | 105 | 105 | 105 | 102 |
| 10.00 | 111 | 111 | 111 | 110 | 110 | 110 | 110 | 109 | 108 | 108 | 108 | 108 | 106 | 106 | 106 | 106 | 103 |