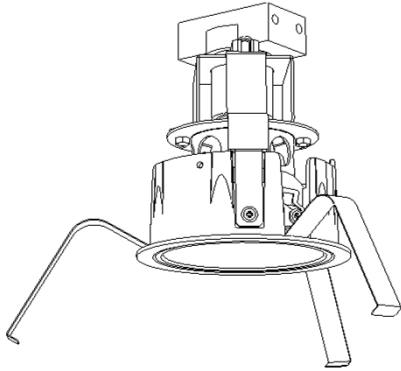


# 屋内照明器具特性

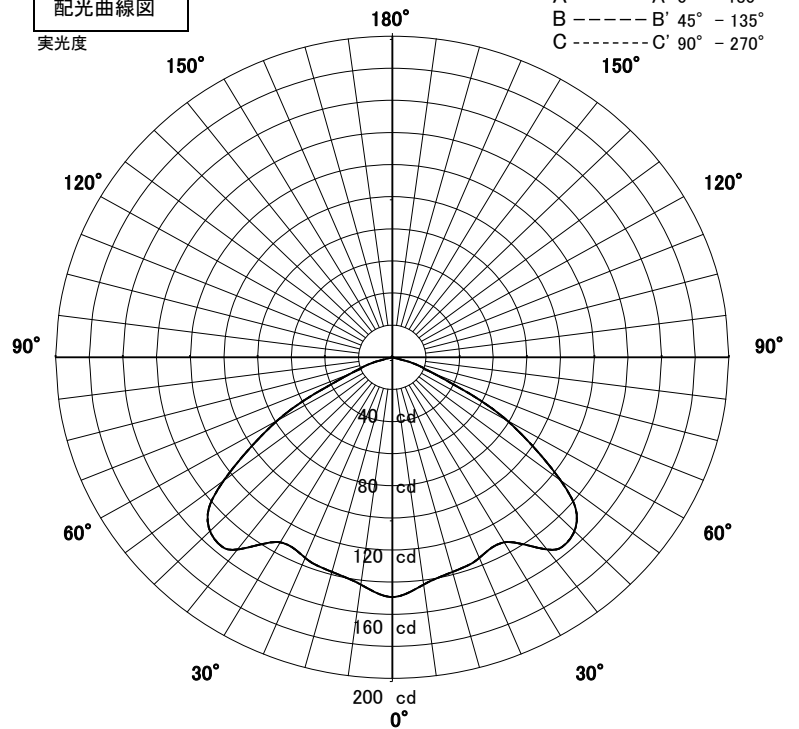


|                |                    |    |           |
|----------------|--------------------|----|-----------|
| 品名             | DN-3613            |    |           |
| 光源             | LDA4L-H-E17/S/40W2 |    |           |
| 実効光束<br>(器具光束) | 480lm              | 効率 | 114.2lm/W |



配光曲線図

実光度

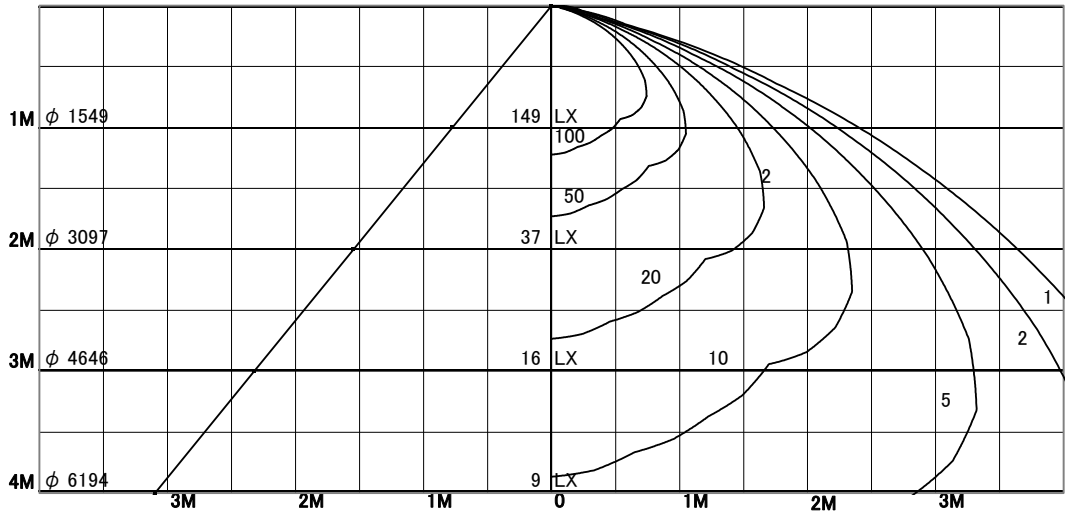


1/2照度角

直射水平面照度

単位: Lx

|        |       |      |
|--------|-------|------|
| 色温度    | 2700K |      |
| 演色評価指数 | Ra80  |      |
| 保守率    | 良     | 0.67 |
|        | 中     | 0.63 |
|        | 否     | 0.56 |



|        |      |     |
|--------|------|-----|
| 1/2照度角 |      |     |
| A-A'   | 75.5 | Deg |
| C-C'   | 75.5 | Deg |
| 最大取付間隔 |      |     |
| A-A'   | 1.55 | H   |
| C-C'   | 1.55 | H   |

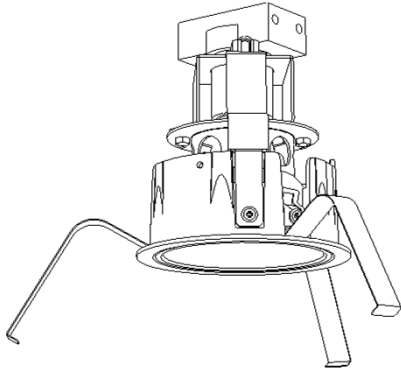
照明率表

| 天井    | 80% |     |     |     | 70% |     |     |     | 50% |     |     |     | 30% |     |     |     | 0% |
|-------|-----|-----|-----|-----|-----|-----|-----|-----|-----|-----|-----|-----|-----|-----|-----|-----|----|
|       | 70% | 50% | 30% | 10% | 70% | 50% | 30% | 10% | 70% | 50% | 30% | 10% | 70% | 50% | 30% | 10% | 0% |
| 壁     | 10% |     |     |     |     |     |     |     |     |     |     |     |     |     |     |     | 0% |
| 床     | 10% |     |     |     |     |     |     |     |     |     |     |     |     |     |     |     | 0% |
| 0.60  | 56  | 43  | 35  | 30  | 54  | 43  | 35  | 30  | 52  | 42  | 35  | 30  | 50  | 41  | 34  | 29  | 27 |
| 0.80  | 66  | 55  | 47  | 41  | 65  | 54  | 46  | 41  | 62  | 53  | 46  | 41  | 60  | 51  | 45  | 40  | 38 |
| 1.00  | 74  | 63  | 56  | 50  | 73  | 63  | 55  | 50  | 70  | 61  | 55  | 50  | 67  | 60  | 54  | 49  | 47 |
| 1.25  | 81  | 71  | 64  | 59  | 79  | 71  | 64  | 59  | 76  | 69  | 63  | 58  | 74  | 67  | 62  | 58  | 56 |
| 1.50  | 85  | 77  | 71  | 66  | 84  | 76  | 70  | 65  | 81  | 74  | 69  | 65  | 78  | 73  | 68  | 64  | 62 |
| 2.00  | 92  | 85  | 80  | 75  | 90  | 84  | 79  | 75  | 87  | 82  | 78  | 74  | 85  | 80  | 77  | 73  | 71 |
| 2.50  | 95  | 90  | 85  | 81  | 94  | 89  | 85  | 81  | 91  | 87  | 83  | 80  | 89  | 85  | 82  | 79  | 77 |
| 3.00  | 98  | 93  | 89  | 86  | 96  | 92  | 88  | 85  | 94  | 90  | 87  | 84  | 91  | 88  | 85  | 83  | 81 |
| 4.00  | 100 | 97  | 94  | 91  | 99  | 96  | 93  | 90  | 96  | 94  | 91  | 89  | 94  | 92  | 90  | 88  | 85 |
| 5.00  | 102 | 99  | 96  | 94  | 101 | 98  | 95  | 93  | 98  | 96  | 94  | 92  | 96  | 94  | 92  | 90  | 88 |
| 7.00  | 104 | 102 | 99  | 98  | 102 | 100 | 99  | 97  | 100 | 98  | 97  | 95  | 98  | 96  | 95  | 93  | 91 |
| 10.00 | 105 | 103 | 102 | 100 | 104 | 102 | 101 | 99  | 101 | 100 | 99  | 97  | 99  | 98  | 97  | 96  | 93 |

# 屋内照明器具特性

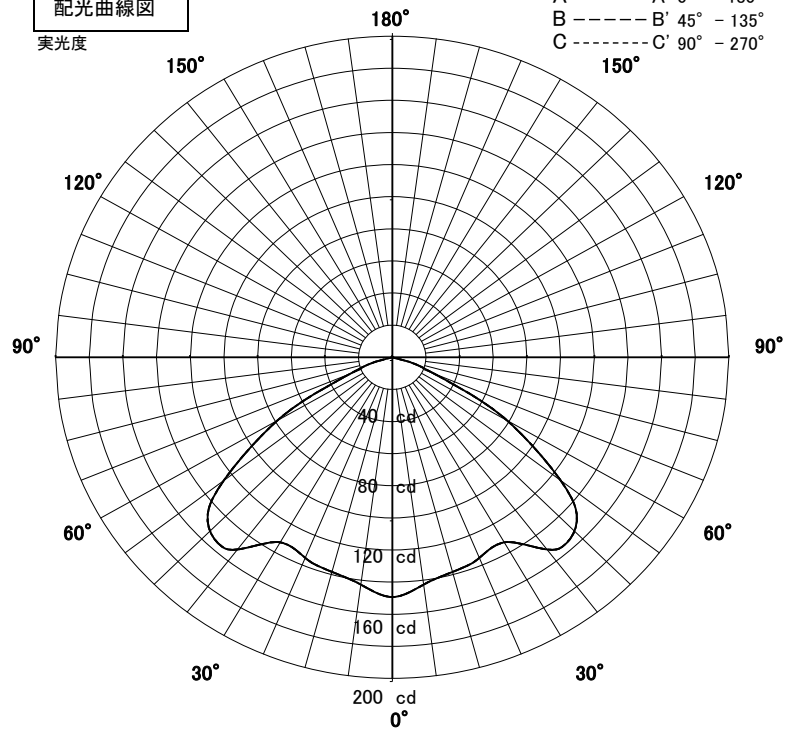


|                |                    |    |           |
|----------------|--------------------|----|-----------|
| 品名             | DN-3613            |    |           |
| 光源             | LDA4N-H-E17/S/40W2 |    |           |
| 実効光束<br>(器具光束) | 480lm              | 効率 | 126.3lm/W |



配光曲線図

実光度

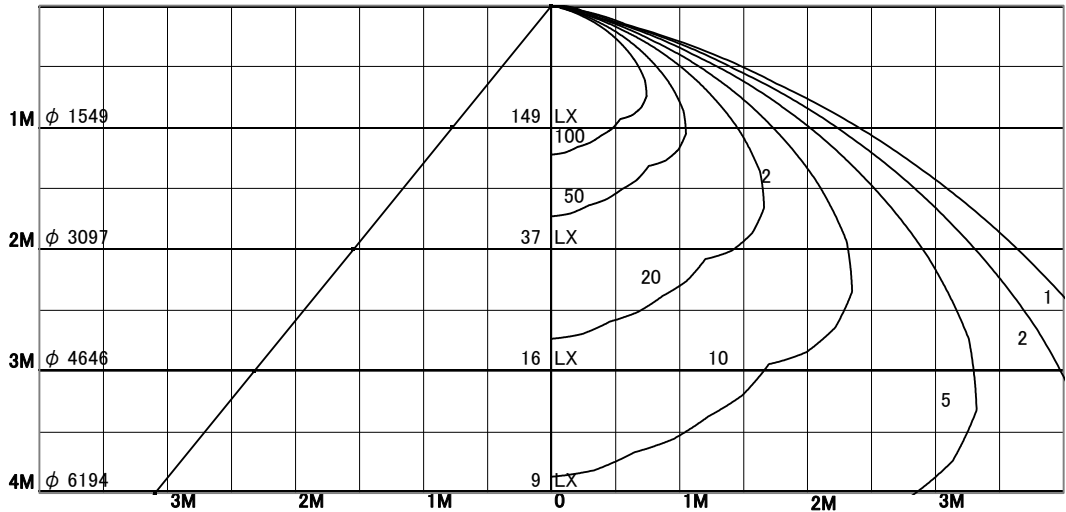


1/2照度角

直射水平面照度

単位: Lx

|        |       |      |
|--------|-------|------|
| 色温度    | 5000K |      |
| 演色評価指数 | Ra83  |      |
| 保守率    | 良     | 0.67 |
|        | 中     | 0.63 |
|        | 否     | 0.56 |



|        |      |     |
|--------|------|-----|
| 1/2照度角 |      |     |
| A-A'   | 75.5 | Deg |
| C-C'   | 75.5 | Deg |

|        |      |   |
|--------|------|---|
| 最大取付間隔 |      |   |
| A-A'   | 1.55 | H |
| C-C'   | 1.55 | H |

照明率表

| 天井    | 80% |     |     |     | 70% |     |     |     | 50% |     |     |     | 30% |     |     |     | 0% |
|-------|-----|-----|-----|-----|-----|-----|-----|-----|-----|-----|-----|-----|-----|-----|-----|-----|----|
|       | 70% | 50% | 30% | 10% | 70% | 50% | 30% | 10% | 70% | 50% | 30% | 10% | 70% | 50% | 30% | 10% | 0% |
| 壁     | 10% |     |     |     |     |     |     |     |     |     |     |     |     |     |     |     | 0% |
| 床     | 10% |     |     |     |     |     |     |     |     |     |     |     |     |     |     |     | 0% |
| 0.60  | 56  | 43  | 35  | 30  | 54  | 43  | 35  | 30  | 52  | 42  | 35  | 30  | 50  | 41  | 34  | 29  | 27 |
| 0.80  | 66  | 55  | 47  | 41  | 65  | 54  | 46  | 41  | 62  | 53  | 46  | 41  | 60  | 51  | 45  | 40  | 38 |
| 1.00  | 74  | 63  | 56  | 50  | 73  | 63  | 55  | 50  | 70  | 61  | 55  | 50  | 67  | 60  | 54  | 49  | 47 |
| 1.25  | 81  | 71  | 64  | 59  | 79  | 71  | 64  | 59  | 76  | 69  | 63  | 58  | 74  | 67  | 62  | 58  | 56 |
| 1.50  | 85  | 77  | 71  | 66  | 84  | 76  | 70  | 65  | 81  | 74  | 69  | 65  | 78  | 73  | 68  | 64  | 62 |
| 2.00  | 92  | 85  | 80  | 75  | 90  | 84  | 79  | 75  | 87  | 82  | 78  | 74  | 85  | 80  | 77  | 73  | 71 |
| 2.50  | 95  | 90  | 85  | 81  | 94  | 89  | 85  | 81  | 91  | 87  | 83  | 80  | 89  | 85  | 82  | 79  | 77 |
| 3.00  | 98  | 93  | 89  | 86  | 96  | 92  | 88  | 85  | 94  | 90  | 87  | 84  | 91  | 88  | 85  | 83  | 81 |
| 4.00  | 100 | 97  | 94  | 91  | 99  | 96  | 93  | 90  | 96  | 94  | 91  | 89  | 94  | 92  | 90  | 88  | 85 |
| 5.00  | 102 | 99  | 96  | 94  | 101 | 98  | 95  | 93  | 98  | 96  | 94  | 92  | 96  | 94  | 92  | 90  | 88 |
| 7.00  | 104 | 102 | 99  | 98  | 102 | 100 | 99  | 97  | 100 | 98  | 97  | 95  | 98  | 96  | 95  | 93  | 91 |
| 10.00 | 105 | 103 | 102 | 100 | 104 | 102 | 101 | 99  | 101 | 100 | 99  | 97  | 99  | 98  | 97  | 96  | 93 |