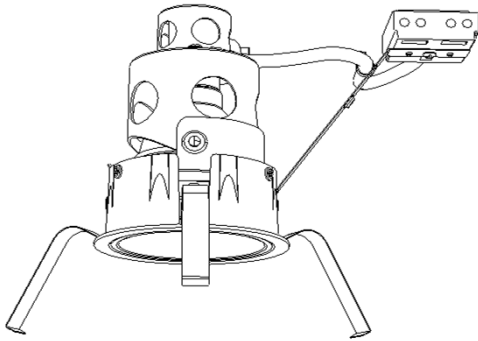


屋内照明器具特性

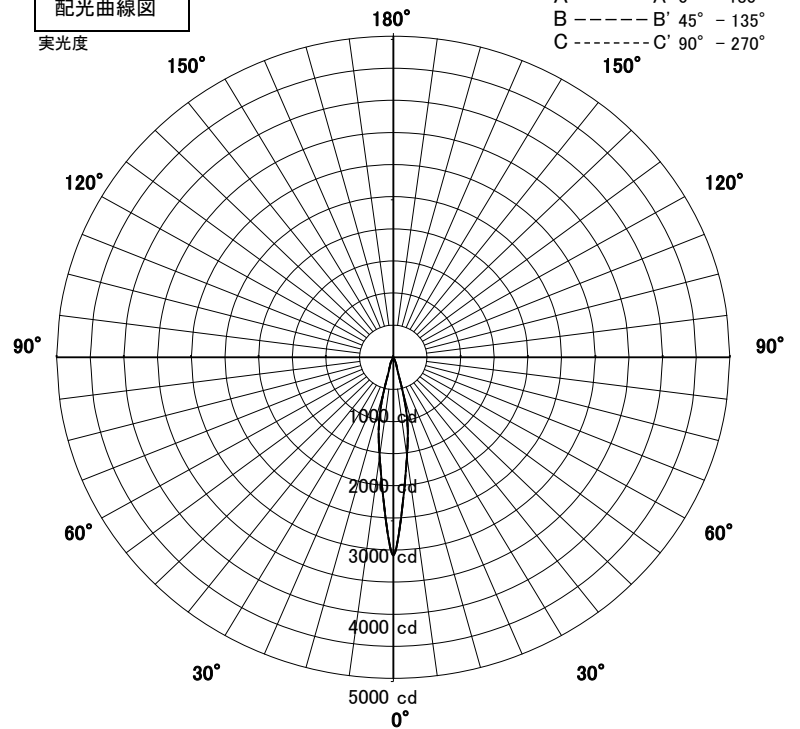


| | | | |
|----------------|----------------|----|----------|
| 品名 | DN-3617 | | |
| 光源 | LDR6L-M-E11/D2 | | |
| 実効光束 (器具光束) | 377lm | 効率 | 58.9lm/W |



配光曲線図

実光度



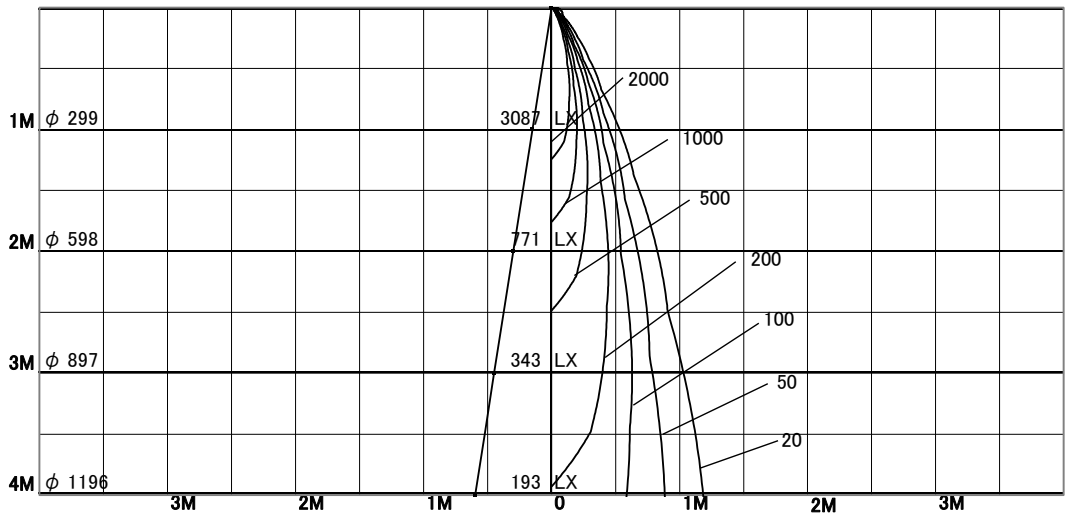
1/2照度角

直射水平面照度

単位: Lx

| | | |
|--------|-------|------|
| 色温度 | 2700K | |
| 演色評価指数 | Ra92 | |
| 保守率 | 良 | 0.67 |
| | 中 | 0.63 |
| | 否 | 0.56 |

| | | |
|--------|------|-----|
| 1/2照度角 | | |
| A-A' | 17.0 | Deg |
| C-C' | 17.0 | Deg |
| 最大取付間隔 | | |
| A-A' | 0.30 | H |
| C-C' | 0.30 | H |



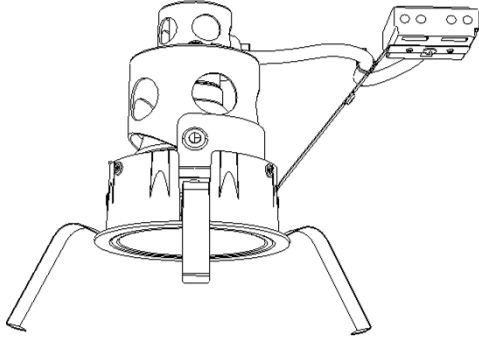
照明率表

| 天井 | 80% | | | | 70% | | | | 50% | | | | 30% | | | | 0% |
|-------|-----|-----|-----|-----|-----|-----|-----|-----|-----|-----|-----|-----|-----|-----|-----|-----|----|
| | 70% | 50% | 30% | 10% | 70% | 50% | 30% | 10% | 70% | 50% | 30% | 10% | 70% | 50% | 30% | 10% | 0% |
| 壁 | 10% | | | | | | | | | | | | | | | | 0% |
| 床 | 10% | | | | | | | | | | | | | | | | 0% |
| 0.60 | 82 | 77 | 74 | 71 | 82 | 77 | 74 | 71 | 80 | 76 | 73 | 71 | 79 | 76 | 73 | 71 | 70 |
| 0.80 | 87 | 82 | 78 | 76 | 86 | 81 | 78 | 76 | 84 | 80 | 78 | 75 | 83 | 80 | 77 | 75 | 74 |
| 1.00 | 90 | 86 | 83 | 80 | 89 | 85 | 83 | 80 | 88 | 84 | 82 | 80 | 87 | 84 | 81 | 80 | 78 |
| 1.25 | 93 | 89 | 86 | 84 | 92 | 89 | 86 | 84 | 90 | 88 | 85 | 83 | 89 | 86 | 85 | 83 | 82 |
| 1.50 | 95 | 91 | 89 | 87 | 94 | 91 | 88 | 87 | 92 | 90 | 88 | 86 | 91 | 89 | 87 | 85 | 84 |
| 2.00 | 98 | 95 | 93 | 92 | 97 | 95 | 93 | 91 | 95 | 93 | 92 | 90 | 94 | 92 | 91 | 90 | 88 |
| 2.50 | 100 | 98 | 96 | 95 | 99 | 97 | 96 | 94 | 97 | 96 | 94 | 93 | 95 | 94 | 93 | 92 | 91 |
| 3.00 | 101 | 99 | 98 | 97 | 100 | 99 | 98 | 97 | 98 | 97 | 96 | 96 | 97 | 96 | 95 | 94 | 93 |
| 4.00 | 102 | 101 | 100 | 99 | 101 | 100 | 99 | 99 | 99 | 99 | 98 | 97 | 97 | 97 | 97 | 96 | 94 |
| 5.00 | 102 | 102 | 101 | 101 | 101 | 101 | 101 | 100 | 100 | 99 | 99 | 99 | 98 | 98 | 97 | 97 | 95 |
| 7.00 | 103 | 103 | 103 | 103 | 102 | 102 | 102 | 102 | 100 | 100 | 100 | 100 | 99 | 99 | 99 | 99 | 96 |
| 10.00 | 104 | 104 | 104 | 104 | 103 | 103 | 103 | 103 | 101 | 101 | 101 | 101 | 99 | 99 | 99 | 99 | 97 |

屋内照明器具特性

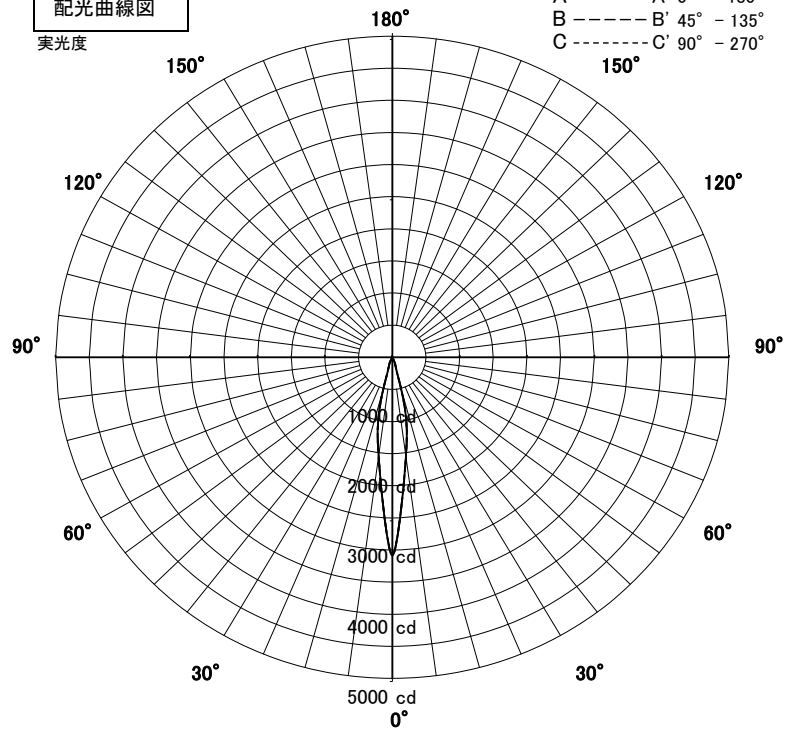


| | | | |
|----------------|----------------|----|----------|
| 品名 | DN-3617 | | |
| 光源 | LDR6W-M-E11/D2 | | |
| 実効光束 (器具光束) | 377lm | 効率 | 68.5lm/W |



配光曲線図

実光度



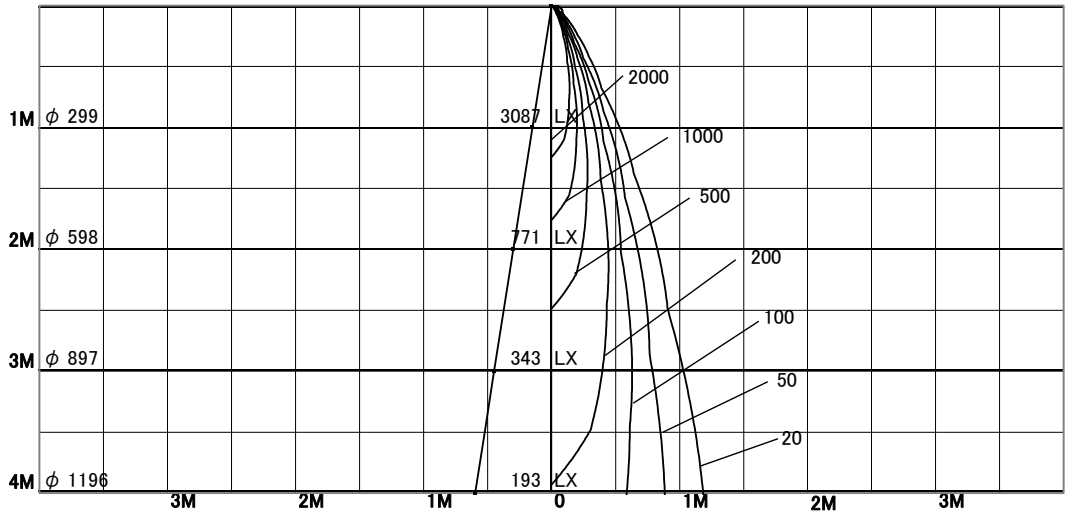
1/2照度角

直射水平面照度

単位:Lx

| | | |
|--------|-------|------|
| 色温度 | 4000K | |
| 演色評価指数 | Ra92 | |
| 保守率 | 良 | 0.67 |
| | 中 | 0.63 |
| | 否 | 0.56 |

| | | |
|--------|------|-----|
| 1/2照度角 | | |
| A-A' | 17.0 | Deg |
| C-C' | 17.0 | Deg |
| 最大取付間隔 | | |
| A-A' | 0.30 | H |
| C-C' | 0.30 | H |



照明率表

| 天井 | 80% | | | | 70% | | | | 50% | | | | 30% | | | | 0% |
|-------|-----|-----|-----|-----|-----|-----|-----|-----|-----|-----|-----|-----|-----|-----|-----|-----|----|
| | 70% | 50% | 30% | 10% | 70% | 50% | 30% | 10% | 70% | 50% | 30% | 10% | 70% | 50% | 30% | 10% | 0% |
| 壁 | 10% | | | | | | | | | | | | | | | | 0% |
| 床 | 10% | | | | | | | | | | | | | | | | 0% |
| 0.60 | 82 | 77 | 74 | 71 | 82 | 77 | 74 | 71 | 80 | 76 | 73 | 71 | 79 | 76 | 73 | 71 | 70 |
| 0.80 | 87 | 82 | 78 | 76 | 86 | 81 | 78 | 76 | 84 | 80 | 78 | 75 | 83 | 80 | 77 | 75 | 74 |
| 1.00 | 90 | 86 | 83 | 80 | 89 | 85 | 83 | 80 | 88 | 84 | 82 | 80 | 87 | 84 | 81 | 80 | 78 |
| 1.25 | 93 | 89 | 86 | 84 | 92 | 89 | 86 | 84 | 90 | 88 | 85 | 83 | 89 | 86 | 85 | 83 | 82 |
| 1.50 | 95 | 91 | 89 | 87 | 94 | 91 | 88 | 87 | 92 | 90 | 88 | 86 | 91 | 89 | 87 | 85 | 84 |
| 2.00 | 98 | 95 | 93 | 92 | 97 | 95 | 93 | 91 | 95 | 93 | 92 | 90 | 94 | 92 | 91 | 90 | 88 |
| 2.50 | 100 | 98 | 96 | 95 | 99 | 97 | 96 | 94 | 97 | 96 | 94 | 93 | 95 | 94 | 93 | 92 | 91 |
| 3.00 | 101 | 99 | 98 | 97 | 100 | 99 | 98 | 97 | 98 | 97 | 96 | 96 | 97 | 96 | 95 | 94 | 93 |
| 4.00 | 102 | 101 | 100 | 99 | 101 | 100 | 99 | 99 | 99 | 99 | 98 | 97 | 97 | 97 | 97 | 96 | 94 |
| 5.00 | 102 | 102 | 101 | 101 | 101 | 101 | 101 | 100 | 100 | 99 | 99 | 99 | 98 | 98 | 97 | 97 | 95 |
| 7.00 | 103 | 103 | 103 | 103 | 102 | 102 | 102 | 102 | 100 | 100 | 100 | 100 | 99 | 99 | 99 | 99 | 96 |
| 10.00 | 104 | 104 | 104 | 104 | 103 | 103 | 103 | 103 | 101 | 101 | 101 | 101 | 99 | 99 | 99 | 99 | 97 |