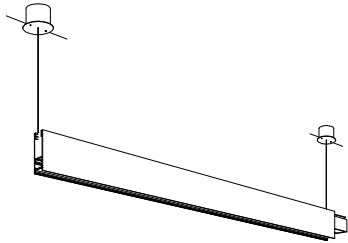


屋内照明器具特性

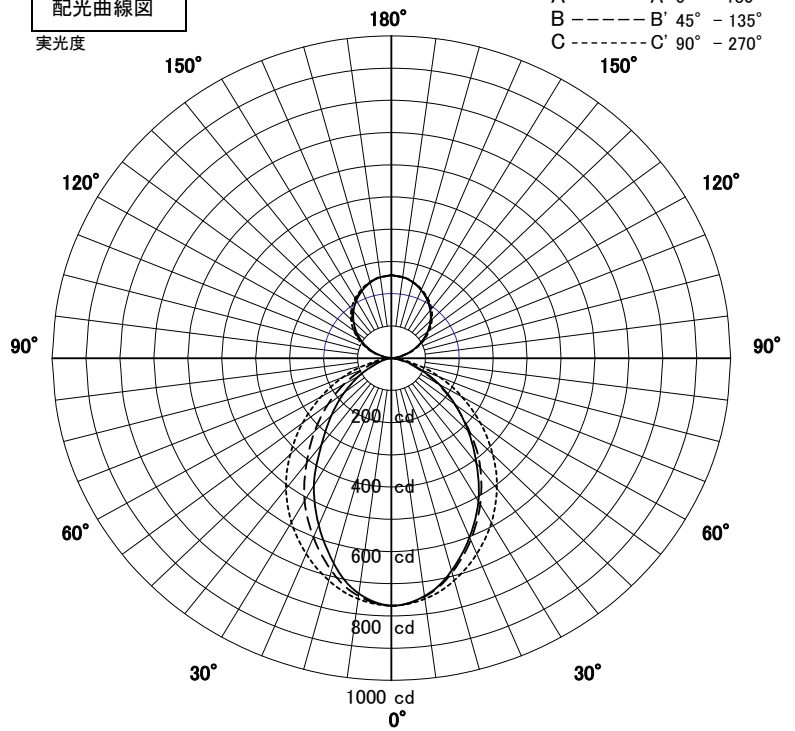


| | | | |
|----------------|-----------|----|----------|
| 品名 | PD-2620-L | | |
| 光源 | LED37W | | |
| 実効光束 (器具光束) | 2217lm | 効率 | 59.9lm/W |



配光曲線図

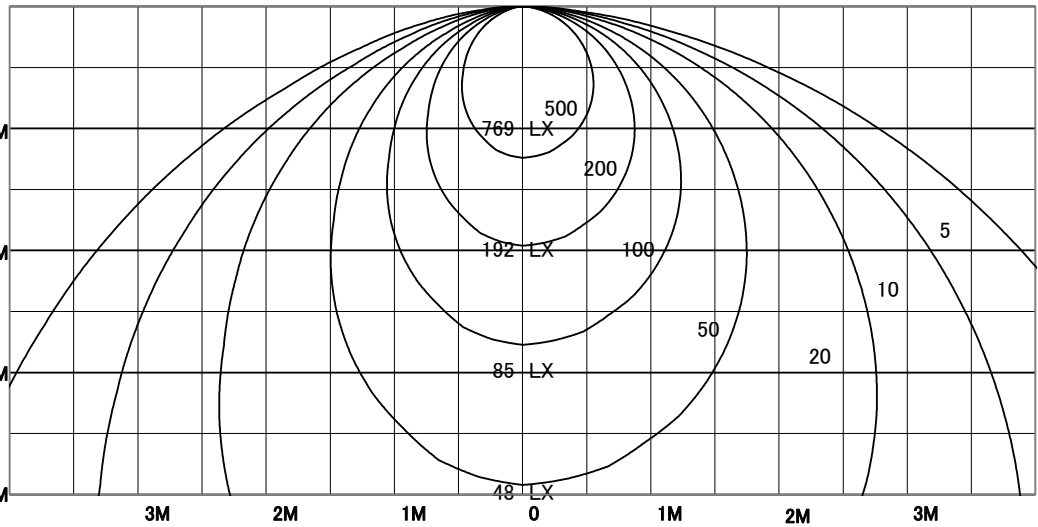
実光度



直射水平面照度

単位:Lx

| | | |
|--------|-------|------|
| 色温度 | 3000K | |
| 演色評価指数 | Ra83 | |
| 保守率 | 良 | 0.63 |
| | 中 | 0.60 |
| | 否 | 0.56 |
| 1/2照度角 | | |
| A-A' | 52.5 | Deg |
| C-C' | 60.0 | Deg |
| 最大取付間隔 | | |
| A-A' | 0.99 | H |
| C-C' | 1.15 | H |



照明率表

| 天井 | 80% | | | | 70% | | | | 50% | | | | 30% | | | | 0% |
|-------|-----|-----|-----|-----|-----|-----|-----|-----|-----|-----|-----|-----|-----|-----|-----|-----|----|
| | 70% | 50% | 30% | 10% | 70% | 50% | 30% | 10% | 70% | 50% | 30% | 10% | 70% | 50% | 30% | 10% | 0% |
| 壁 | | | | | | | | | | | | | | | | | |
| 床 | 10% | | | | 10% | | | | 10% | | | | 10% | | | | 0% |
| 0.60 | 42 | 35 | 30 | 27 | 42 | 35 | 30 | 27 | 40 | 34 | 30 | 27 | 39 | 33 | 30 | 27 | 26 |
| 0.80 | 48 | 41 | 37 | 33 | 47 | 41 | 36 | 33 | 46 | 40 | 36 | 33 | 44 | 39 | 36 | 33 | 32 |
| 1.00 | 53 | 46 | 42 | 38 | 52 | 46 | 41 | 38 | 50 | 45 | 41 | 38 | 48 | 44 | 40 | 38 | 36 |
| 1.25 | 56 | 51 | 47 | 43 | 55 | 50 | 46 | 43 | 53 | 49 | 46 | 43 | 52 | 48 | 45 | 42 | 41 |
| 1.50 | 59 | 54 | 50 | 47 | 58 | 53 | 50 | 47 | 56 | 52 | 49 | 46 | 54 | 51 | 48 | 46 | 45 |
| 2.00 | 63 | 59 | 55 | 53 | 62 | 58 | 55 | 52 | 60 | 57 | 54 | 52 | 58 | 56 | 53 | 51 | 50 |
| 2.50 | 65 | 62 | 59 | 56 | 64 | 61 | 58 | 56 | 62 | 60 | 57 | 55 | 60 | 58 | 56 | 55 | 53 |
| 3.00 | 66 | 64 | 61 | 59 | 65 | 63 | 61 | 59 | 64 | 61 | 60 | 58 | 62 | 60 | 59 | 57 | 56 |
| 4.00 | 68 | 66 | 64 | 62 | 67 | 65 | 63 | 62 | 65 | 64 | 62 | 61 | 64 | 62 | 61 | 60 | 58 |
| 5.00 | 69 | 67 | 66 | 64 | 68 | 66 | 65 | 64 | 66 | 65 | 64 | 63 | 65 | 64 | 63 | 62 | 60 |
| 7.00 | 70 | 69 | 68 | 66 | 69 | 68 | 67 | 66 | 68 | 67 | 66 | 65 | 66 | 65 | 64 | 64 | 62 |
| 10.00 | 71 | 70 | 69 | 68 | 70 | 69 | 68 | 68 | 68 | 68 | 67 | 66 | 67 | 66 | 66 | 65 | 63 |