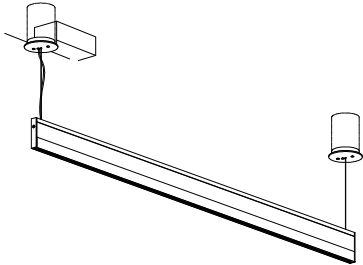


屋内照明器具特性

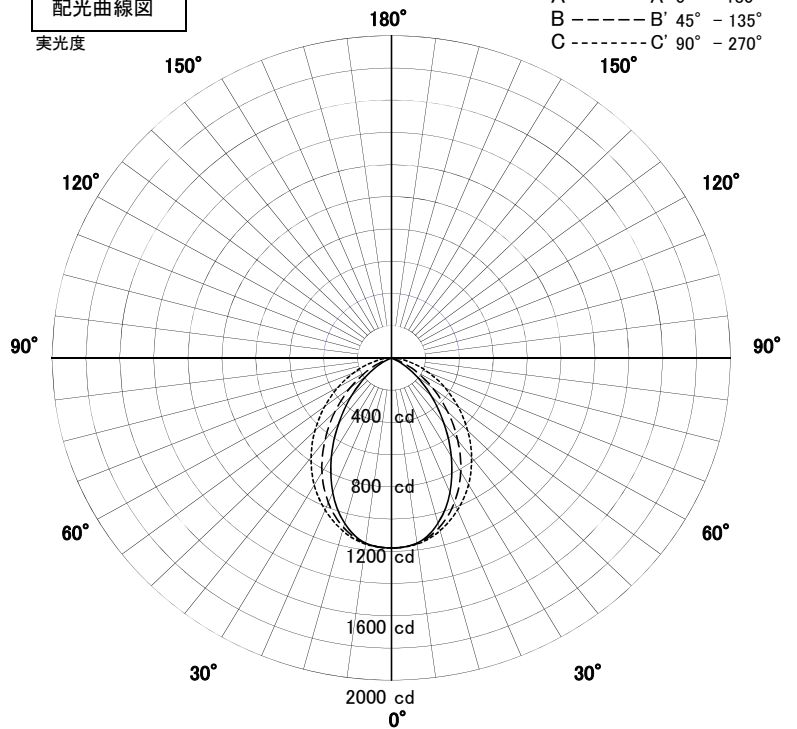


| | | | |
|----------------|-----------|----|----------|
| 品名 | PD-2667-L | | |
| 光源 | LED35.9W | | |
| 実効光束 (器具光束) | 2090lm | 効率 | 58.2lm/W |



配光曲線図

実光度



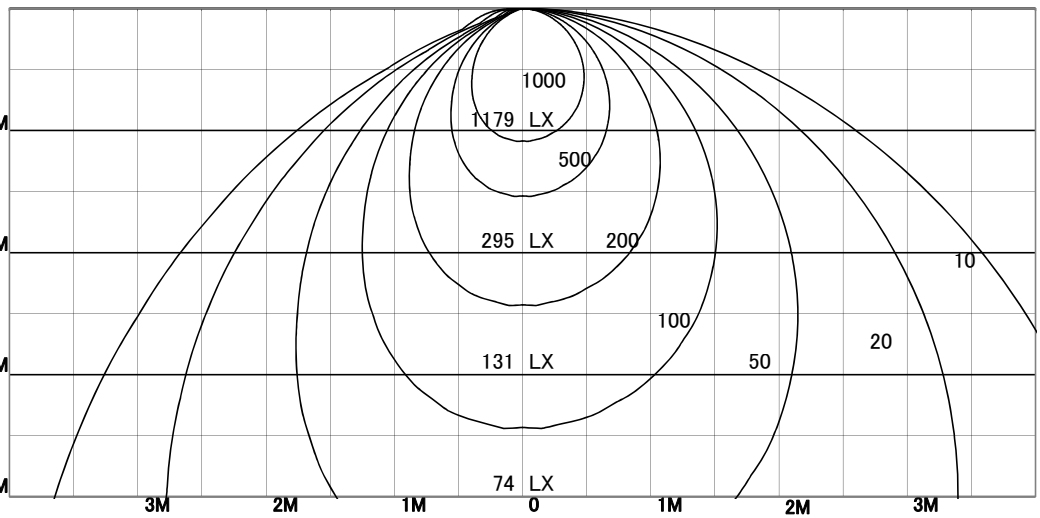
直射水平面照度

単位:Lx

A-A' Section

C-C' Section

| | | |
|--------|-------|------|
| 色温度 | 3000K | |
| 演色評価指数 | Ra83 | |
| 保守率 | 良 | 0.63 |
| | 中 | 0.60 |
| | 否 | 0.56 |
| 1/2照度角 | | |
| A-A' | 52.5 | Deg |
| C-C' | 60.0 | Deg |
| 最大取付間隔 | | |
| A-A' | 0.99 | H |
| C-C' | 1.15 | H |



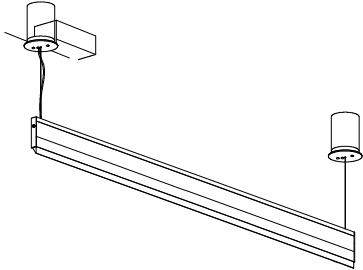
照明率表

| 天井 | 80% | | | | 70% | | | | 50% | | | | 30% | | | | 0% |
|-------|-----|-----|-----|-----|-----|-----|-----|-----|-----|-----|-----|-----|-----|-----|-----|-----|----|
| | 70% | 50% | 30% | 10% | 70% | 50% | 30% | 10% | 70% | 50% | 30% | 10% | 70% | 50% | 30% | 10% | 0% |
| 壁 | | | | | | | | | | | | | | | | | 0% |
| 床 | | | | | | | | | | | | | | | | | 0% |
| 0.60 | 66 | 56 | 49 | 45 | 65 | 55 | 49 | 45 | 63 | 54 | 49 | 44 | 61 | 54 | 48 | 44 | 43 |
| 0.80 | 75 | 65 | 59 | 54 | 74 | 64 | 58 | 54 | 71 | 63 | 58 | 53 | 69 | 62 | 57 | 53 | 51 |
| 1.00 | 81 | 72 | 66 | 61 | 80 | 72 | 66 | 61 | 77 | 70 | 65 | 61 | 75 | 69 | 64 | 61 | 59 |
| 1.25 | 87 | 79 | 73 | 69 | 85 | 78 | 73 | 68 | 83 | 77 | 72 | 68 | 80 | 75 | 71 | 67 | 65 |
| 1.50 | 90 | 84 | 78 | 74 | 89 | 83 | 78 | 74 | 86 | 81 | 77 | 73 | 84 | 79 | 76 | 72 | 70 |
| 2.00 | 96 | 90 | 86 | 82 | 94 | 89 | 85 | 82 | 92 | 87 | 84 | 81 | 89 | 86 | 83 | 80 | 78 |
| 2.50 | 99 | 94 | 90 | 87 | 97 | 93 | 90 | 87 | 95 | 91 | 88 | 86 | 92 | 90 | 87 | 85 | 83 |
| 3.00 | 101 | 97 | 94 | 91 | 99 | 96 | 93 | 90 | 97 | 94 | 92 | 89 | 95 | 92 | 90 | 88 | 86 |
| 4.00 | 103 | 100 | 97 | 95 | 102 | 99 | 97 | 95 | 99 | 97 | 95 | 93 | 97 | 95 | 93 | 92 | 89 |
| 5.00 | 104 | 102 | 100 | 98 | 103 | 101 | 99 | 97 | 101 | 99 | 97 | 95 | 98 | 97 | 95 | 94 | 92 |
| 7.00 | 106 | 104 | 102 | 101 | 104 | 103 | 101 | 100 | 102 | 101 | 100 | 98 | 100 | 99 | 98 | 97 | 94 |
| 10.00 | 107 | 105 | 104 | 103 | 106 | 104 | 103 | 102 | 103 | 102 | 101 | 100 | 101 | 100 | 99 | 99 | 96 |

屋内照明器具特性

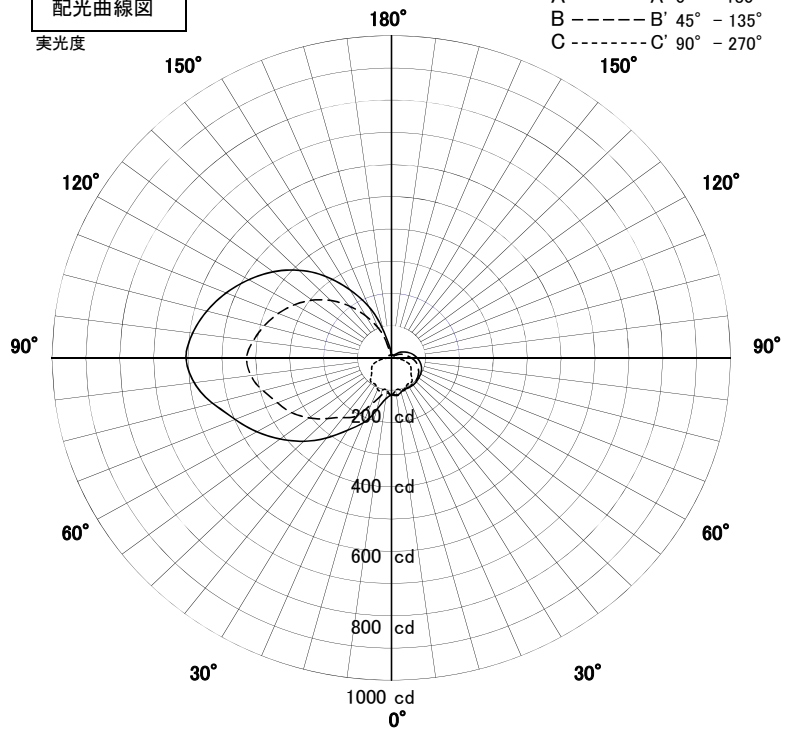


| | | | |
|----------------|------------------|----|----------|
| 品名 | PD-2667-L+TG-429 | | |
| 光源 | LED35.9W | | |
| 実効光束 (器具光束) | 2054lm | 効率 | 57.2lm/W |



配光曲線図

実光度



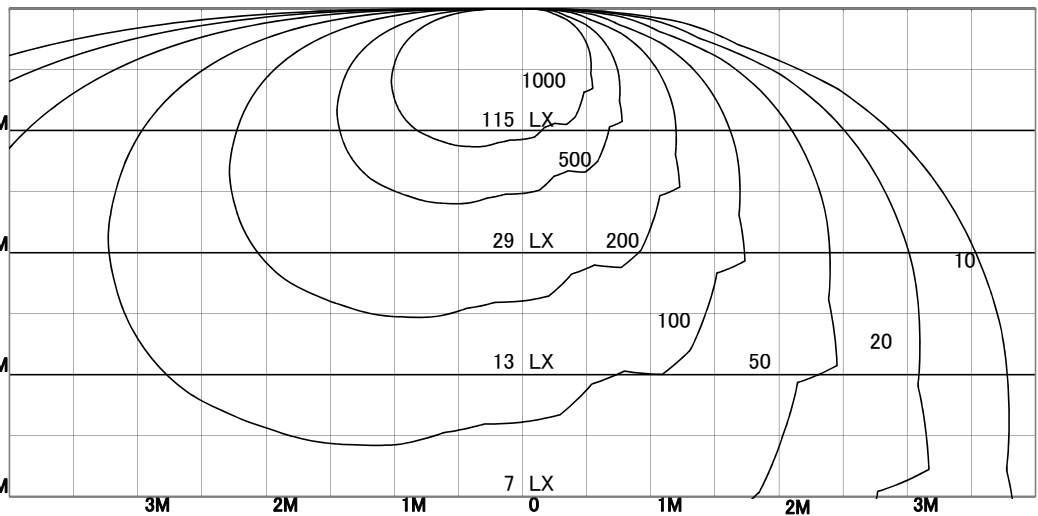
直射水平面照度

単位: Lx

A-A' Section

C-C' Section

| | | |
|--------|-------|------|
| 色温度 | 3000K | |
| 演色評価指数 | Ra83 | |
| 保守率 | 良 | 0.63 |
| | 中 | 0.60 |
| | 否 | 0.56 |
| 1/2照度角 | | |
| A-A' | 105.5 | Deg |
| C-C' | 63.0 | Deg |
| 最大取付間隔 | | |
| A-A' | 2.63 | H |
| C-C' | 1.23 | H |



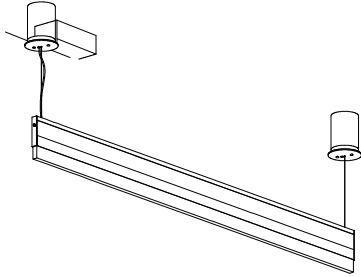
照明率表

| | 80% | | | | 70% | | | | 50% | | | | 30% | | | | 0% |
|-------|-----|-----|-----|-----|-----|-----|-----|-----|-----|-----|-----|-----|-----|-----|-----|-----|----|
| | 70% | 50% | 30% | 10% | 70% | 50% | 30% | 10% | 70% | 50% | 30% | 10% | 70% | 50% | 30% | 10% | 0% |
| 天井 | | | | | | | | | | | | | | | | | |
| 壁 | | | | | | | | | | | | | | | | | |
| 床 | | 10% | | | | 10% | | | | 10% | | | | 10% | | | 0% |
| 0.60 | 26 | 17 | 12 | 8 | 25 | 17 | 12 | 8 | 23 | 16 | 11 | 8 | 22 | 16 | 11 | 8 | 7 |
| 0.80 | 30 | 22 | 16 | 12 | 29 | 21 | 16 | 12 | 27 | 20 | 15 | 11 | 25 | 19 | 15 | 11 | 10 |
| 1.00 | 34 | 25 | 19 | 15 | 32 | 25 | 19 | 15 | 30 | 23 | 18 | 14 | 28 | 22 | 18 | 14 | 13 |
| 1.25 | 37 | 29 | 23 | 18 | 36 | 28 | 22 | 18 | 33 | 27 | 22 | 18 | 31 | 26 | 21 | 18 | 16 |
| 1.50 | 39 | 32 | 26 | 21 | 38 | 31 | 25 | 21 | 36 | 30 | 25 | 21 | 34 | 28 | 24 | 20 | 19 |
| 2.00 | 43 | 36 | 31 | 26 | 42 | 35 | 30 | 26 | 39 | 34 | 29 | 25 | 37 | 32 | 28 | 25 | 23 |
| 2.50 | 46 | 39 | 34 | 30 | 44 | 39 | 34 | 30 | 42 | 37 | 33 | 29 | 40 | 36 | 32 | 29 | 27 |
| 3.00 | 48 | 42 | 37 | 33 | 46 | 41 | 36 | 32 | 44 | 39 | 35 | 32 | 42 | 38 | 34 | 31 | 29 |
| 4.00 | 50 | 45 | 41 | 37 | 49 | 44 | 40 | 37 | 46 | 43 | 39 | 36 | 44 | 41 | 38 | 35 | 33 |
| 5.00 | 52 | 47 | 44 | 40 | 50 | 47 | 43 | 40 | 48 | 45 | 42 | 39 | 46 | 43 | 41 | 38 | 36 |
| 7.00 | 54 | 50 | 47 | 44 | 53 | 49 | 47 | 44 | 51 | 48 | 45 | 43 | 49 | 46 | 44 | 42 | 40 |
| 10.00 | 55 | 53 | 50 | 48 | 54 | 52 | 50 | 47 | 52 | 50 | 48 | 46 | 51 | 49 | 47 | 45 | 44 |

屋内照明器具特性

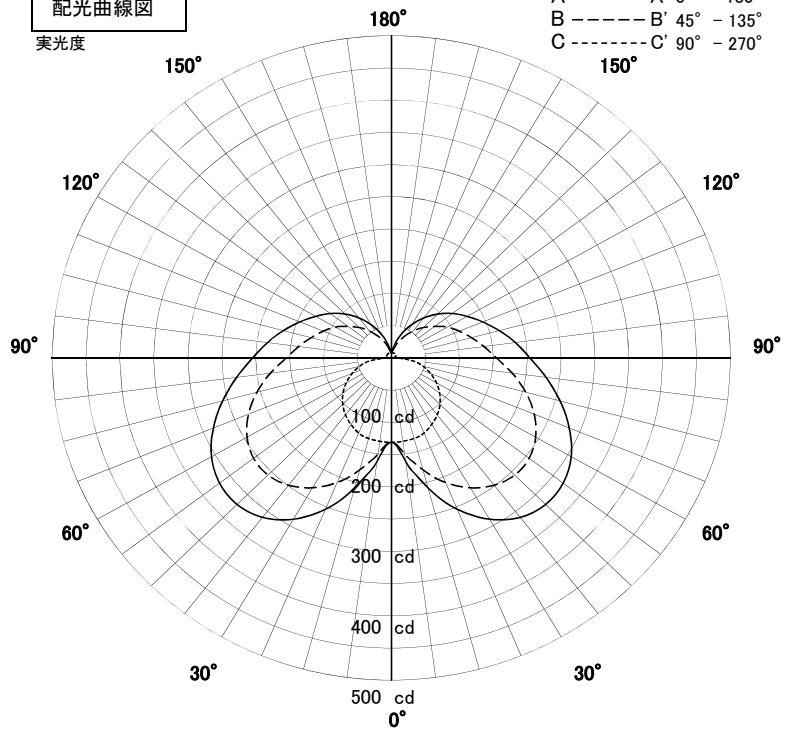


| | | | |
|----------------|------------------|----|----------|
| 品名 | PD-2667-L+TG-430 | | |
| 光源 | LED35.9W | | |
| 実効光束 (器具光束) | 1731lm | 効率 | 48.2lm/W |



配光曲線図

実光度



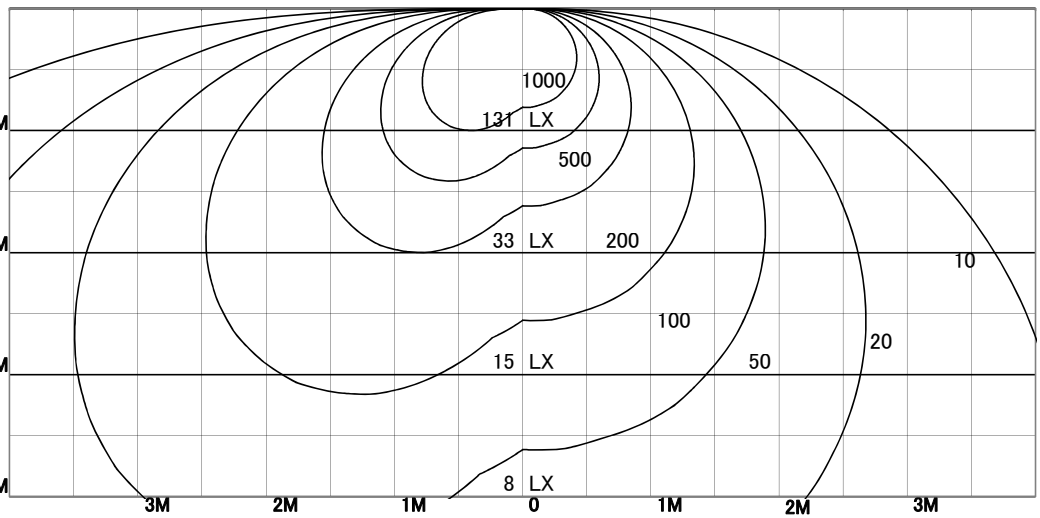
直射水平面照度

単位: Lx

A-A' Section

C-C' Section

| | | |
|--------|-------|------|
| 色温度 | 3000K | |
| 演色評価指数 | Ra83 | |
| 保守率 | 良 | 0.63 |
| | 中 | 0.60 |
| | 否 | 0.56 |
| 1/2照度角 | | |
| A-A' | 107.5 | Deg |
| C-C' | 68.0 | Deg |
| 最大取付間隔 | | |
| A-A' | 2.73 | H |
| C-C' | 1.35 | H |



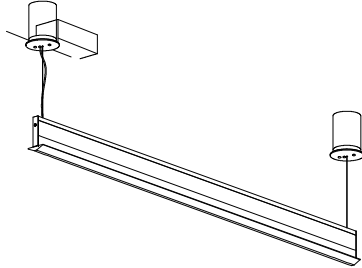
照明率表

| | 80% | | | | 70% | | | | 50% | | | | 30% | | | | 0% |
|-------|-----|-----|-----|-----|-----|-----|-----|-----|-----|-----|-----|-----|-----|-----|-----|-----|----|
| | 70% | 50% | 30% | 10% | 70% | 50% | 30% | 10% | 70% | 50% | 30% | 10% | 70% | 50% | 30% | 10% | 0% |
| 天井 | | | | | | | | | | | | | | | | | |
| 壁 | | | | | | | | | | | | | | | | | |
| 床 | | 10% | | | | 10% | | | | 10% | | | | 10% | | | 0% |
| 0.60 | 35 | 24 | 18 | 13 | 34 | 24 | 18 | 13 | 32 | 23 | 17 | 13 | 30 | 22 | 17 | 13 | 12 |
| 0.80 | 41 | 31 | 24 | 19 | 40 | 30 | 23 | 19 | 37 | 29 | 23 | 18 | 35 | 28 | 22 | 18 | 16 |
| 1.00 | 45 | 36 | 29 | 23 | 44 | 35 | 28 | 23 | 42 | 34 | 28 | 23 | 39 | 32 | 27 | 23 | 21 |
| 1.25 | 50 | 41 | 34 | 28 | 48 | 40 | 33 | 28 | 46 | 38 | 32 | 28 | 43 | 37 | 32 | 27 | 25 |
| 1.50 | 53 | 44 | 38 | 32 | 52 | 44 | 37 | 32 | 49 | 42 | 36 | 32 | 46 | 40 | 35 | 31 | 29 |
| 2.00 | 58 | 50 | 44 | 39 | 56 | 49 | 44 | 39 | 54 | 48 | 42 | 38 | 51 | 46 | 41 | 38 | 35 |
| 2.50 | 61 | 54 | 49 | 44 | 60 | 53 | 48 | 43 | 57 | 51 | 47 | 43 | 54 | 50 | 46 | 42 | 40 |
| 3.00 | 63 | 57 | 52 | 47 | 62 | 56 | 51 | 47 | 59 | 54 | 50 | 46 | 57 | 53 | 49 | 46 | 43 |
| 4.00 | 66 | 61 | 57 | 53 | 65 | 60 | 56 | 52 | 62 | 58 | 55 | 51 | 60 | 56 | 53 | 50 | 48 |
| 5.00 | 68 | 64 | 60 | 56 | 67 | 63 | 59 | 56 | 64 | 61 | 58 | 55 | 62 | 59 | 56 | 54 | 51 |
| 7.00 | 70 | 67 | 64 | 61 | 69 | 66 | 63 | 60 | 67 | 64 | 61 | 59 | 64 | 62 | 60 | 58 | 56 |
| 10.00 | 72 | 69 | 67 | 65 | 71 | 68 | 66 | 64 | 69 | 67 | 65 | 63 | 67 | 65 | 63 | 62 | 59 |

屋内照明器具特性

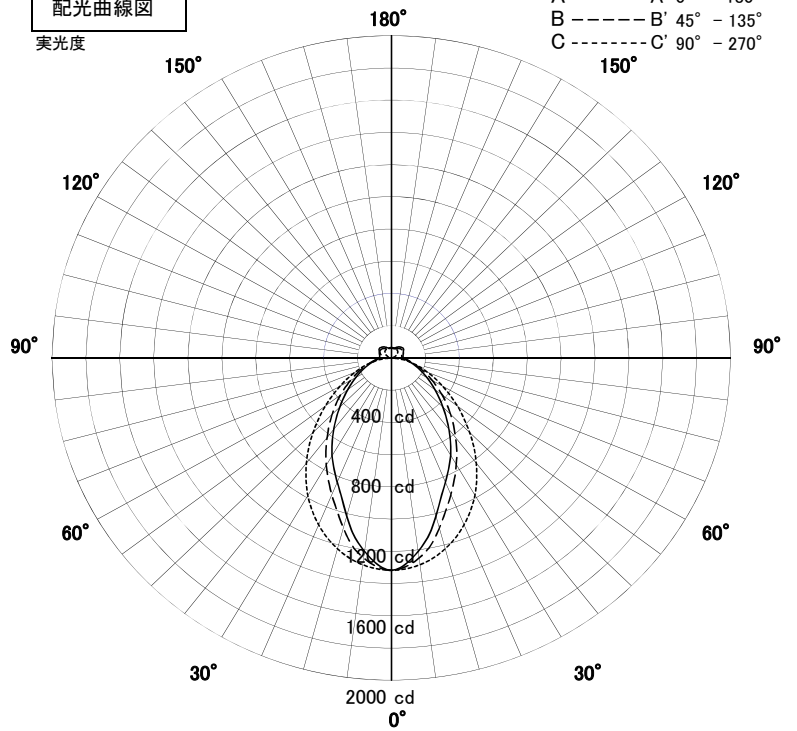


| | | | |
|----------------|------------------|----|----------|
| 品名 | PD-2667-L+TG-431 | | |
| 光源 | LED35.9W | | |
| 実効光束 (器具光束) | 2857lm | 効率 | 79.6lm/W |



配光曲線図

実光度



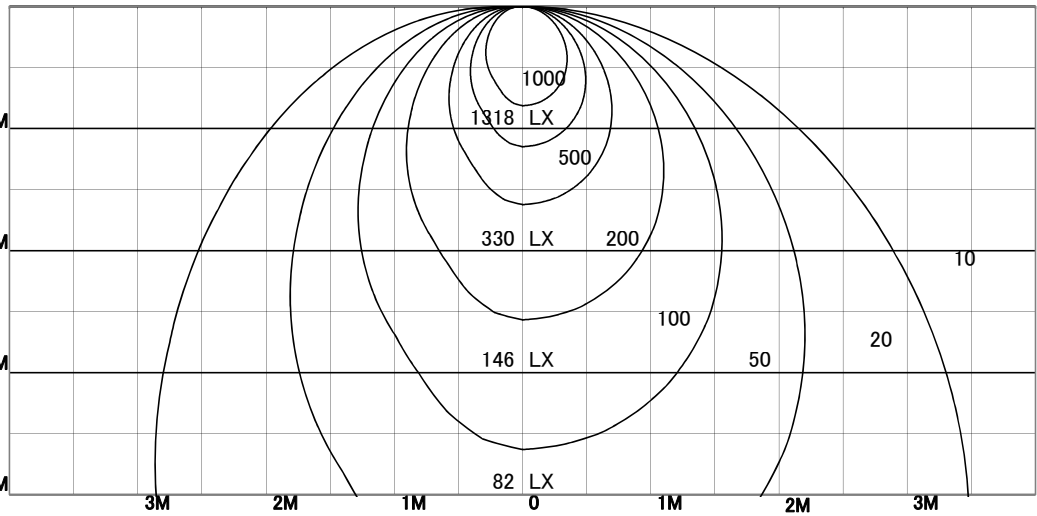
直射水平面照度

単位: Lx

A-A' Section

C-C' Section

| | | |
|--------|-------|------|
| 色温度 | 3000K | |
| 演色評価指数 | Ra83 | |
| 保守率 | 良 | 0.63 |
| | 中 | 0.60 |
| | 否 | 0.56 |
| 1/2照度角 | | |
| A-A' | 45.0 | Deg |
| C-C' | 59.0 | Deg |
| 最大取付間隔 | | |
| A-A' | 0.83 | H |
| C-C' | 1.13 | H |



照明率表

| 天井 | 80% | | | | 70% | | | | 50% | | | | 30% | | | | 0% |
|-------|-----|-----|-----|-----|-----|-----|-----|-----|-----|-----|-----|-----|-----|-----|-----|-----|----|
| | 70% | 50% | 30% | 10% | 70% | 50% | 30% | 10% | 70% | 50% | 30% | 10% | 70% | 50% | 30% | 10% | 0% |
| 壁 | | | | | | | | | | | | | | | | | |
| 床 | | | | | | | | | | | | | | | | | |
| 0.60 | 53 | 44 | 38 | 33 | 52 | 43 | 37 | 33 | 50 | 42 | 37 | 33 | 49 | 42 | 37 | 33 | 31 |
| 0.80 | 61 | 51 | 45 | 41 | 60 | 51 | 45 | 40 | 57 | 50 | 44 | 40 | 55 | 49 | 44 | 40 | 38 |
| 1.00 | 66 | 58 | 51 | 47 | 65 | 57 | 51 | 47 | 63 | 56 | 50 | 46 | 60 | 54 | 50 | 46 | 44 |
| 1.25 | 71 | 63 | 57 | 53 | 70 | 62 | 57 | 53 | 67 | 61 | 56 | 52 | 65 | 60 | 55 | 52 | 50 |
| 1.50 | 74 | 67 | 62 | 58 | 73 | 67 | 61 | 57 | 71 | 65 | 60 | 57 | 68 | 63 | 60 | 56 | 54 |
| 2.00 | 79 | 73 | 69 | 65 | 78 | 73 | 68 | 64 | 75 | 71 | 67 | 64 | 73 | 69 | 66 | 63 | 61 |
| 2.50 | 82 | 77 | 73 | 70 | 81 | 76 | 73 | 69 | 78 | 75 | 71 | 68 | 76 | 73 | 70 | 68 | 66 |
| 3.00 | 84 | 80 | 76 | 73 | 83 | 79 | 76 | 73 | 80 | 77 | 74 | 72 | 78 | 76 | 73 | 71 | 69 |
| 4.00 | 86 | 83 | 80 | 78 | 85 | 82 | 79 | 77 | 83 | 80 | 78 | 76 | 81 | 79 | 77 | 75 | 73 |
| 5.00 | 88 | 85 | 83 | 80 | 87 | 84 | 82 | 80 | 84 | 82 | 80 | 78 | 82 | 80 | 79 | 77 | 75 |
| 7.00 | 90 | 87 | 86 | 84 | 88 | 86 | 85 | 83 | 86 | 85 | 83 | 82 | 84 | 83 | 81 | 80 | 78 |
| 10.00 | 91 | 89 | 88 | 86 | 90 | 88 | 87 | 86 | 87 | 86 | 85 | 84 | 85 | 84 | 83 | 83 | 80 |