

屋内照明器具特性

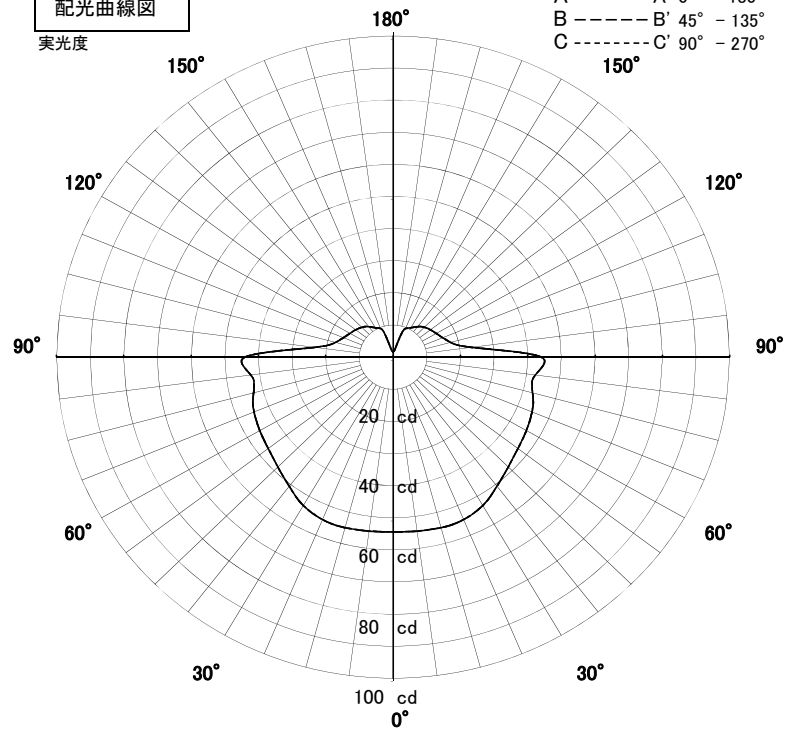


| | | | |
|----------------|-----------|----|----------|
| 品名 | PD-2903-L | | |
| 光源 | LED 8.4W | | |
| 実効光束 (器具光束) | 400lm | 効率 | 47.6lm/W |



配光曲線図

実光度



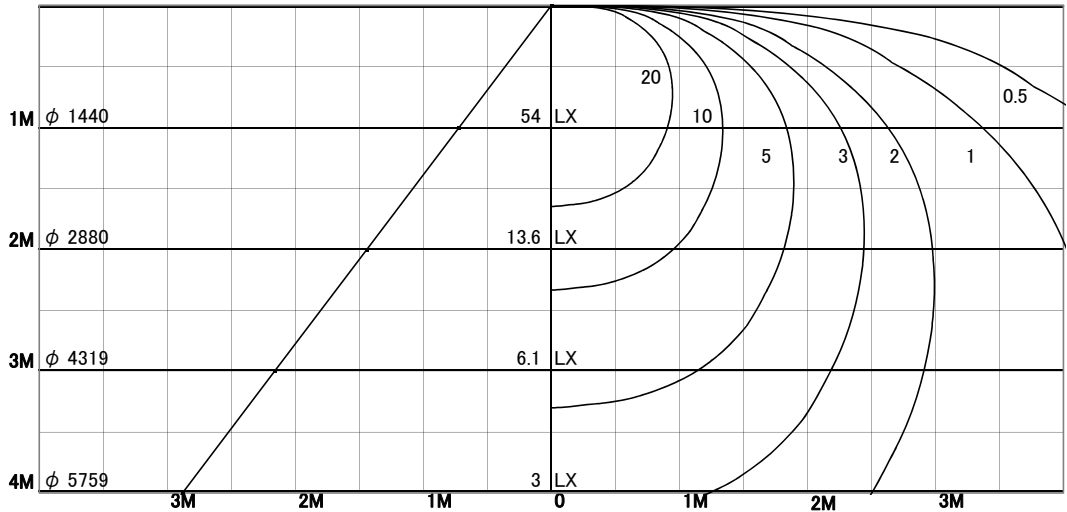
1/2照度角

直射水平面照度

単位:Lx

| | | |
|--------|-------|------|
| 色温度 | 2700K | |
| 演色評価指数 | Ra80 | |
| 保守率 | 良 | 0.67 |
| | 中 | 0.63 |
| | 否 | 0.56 |

| | | |
|--------|------|-----|
| 1/2照度角 | | |
| A-A' | 71.5 | Deg |
| C-C' | 71.5 | Deg |
| 最大取付間隔 | | |
| A-A' | 1.44 | H |
| C-C' | 1.44 | H |



照明率表

| 天井 | 80% | | | | 70% | | | | 50% | | | | 30% | | | | 0% |
|-------|-----|-----|-----|-----|-----|-----|-----|-----|-----|-----|-----|-----|-----|-----|-----|-----|----|
| | 70% | 50% | 30% | 10% | 70% | 50% | 30% | 10% | 70% | 50% | 30% | 10% | 70% | 50% | 30% | 10% | 0% |
| 壁 | 10% | | | | | | | | | | | | | | | | 0% |
| 床 | 10% | | | | | | | | | | | | | | | | 0% |
| 0.60 | 37 | 26 | 20 | 15 | 36 | 26 | 20 | 15 | 34 | 25 | 19 | 15 | 32 | 24 | 19 | 15 | 13 |
| 0.80 | 43 | 32 | 25 | 20 | 41 | 32 | 25 | 20 | 39 | 30 | 24 | 20 | 37 | 29 | 24 | 20 | 18 |
| 1.00 | 47 | 37 | 30 | 24 | 46 | 36 | 30 | 24 | 43 | 35 | 29 | 24 | 41 | 34 | 28 | 24 | 22 |
| 1.25 | 52 | 42 | 35 | 29 | 50 | 41 | 34 | 29 | 47 | 39 | 33 | 29 | 45 | 38 | 33 | 28 | 26 |
| 1.50 | 55 | 46 | 39 | 33 | 53 | 45 | 38 | 33 | 50 | 43 | 37 | 32 | 48 | 41 | 36 | 32 | 30 |
| 2.00 | 59 | 51 | 45 | 39 | 58 | 50 | 44 | 39 | 55 | 49 | 43 | 39 | 52 | 47 | 42 | 38 | 36 |
| 2.50 | 62 | 55 | 49 | 44 | 61 | 54 | 49 | 44 | 58 | 52 | 47 | 43 | 55 | 51 | 46 | 43 | 40 |
| 3.00 | 65 | 58 | 53 | 48 | 63 | 57 | 52 | 47 | 60 | 55 | 51 | 47 | 58 | 53 | 49 | 46 | 44 |
| 4.00 | 68 | 62 | 57 | 53 | 66 | 61 | 57 | 53 | 63 | 59 | 55 | 52 | 61 | 57 | 54 | 51 | 48 |
| 5.00 | 70 | 65 | 60 | 57 | 68 | 64 | 60 | 56 | 65 | 62 | 58 | 55 | 63 | 60 | 57 | 54 | 52 |
| 7.00 | 72 | 68 | 65 | 61 | 71 | 67 | 64 | 61 | 68 | 65 | 62 | 60 | 66 | 63 | 61 | 59 | 56 |
| 10.00 | 74 | 71 | 68 | 65 | 73 | 70 | 67 | 65 | 70 | 68 | 66 | 64 | 68 | 66 | 64 | 62 | 60 |