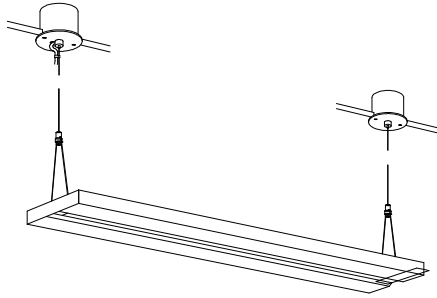


# 屋内照明器具特性

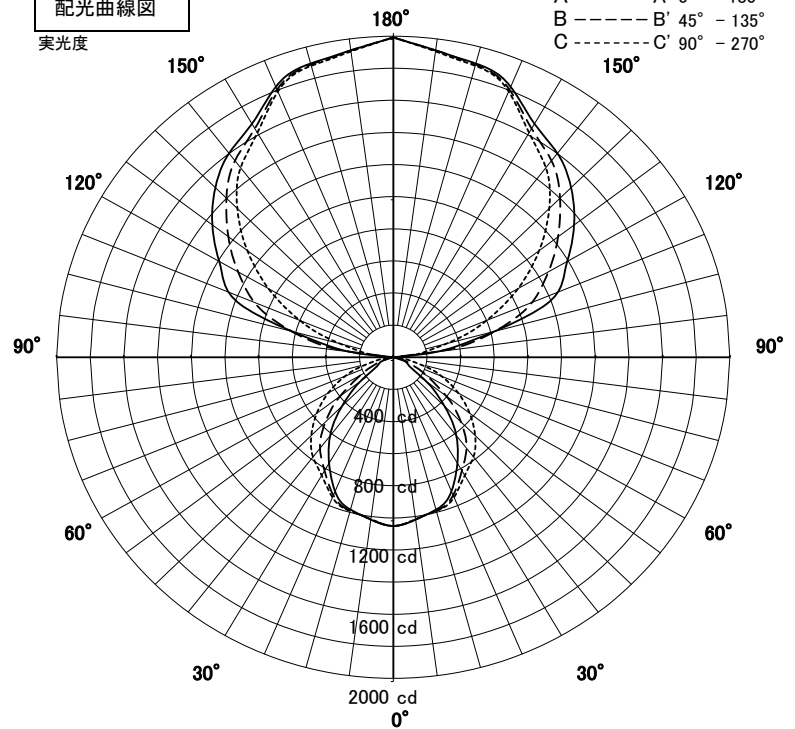


|                |                   |    |           |
|----------------|-------------------|----|-----------|
| 品名             | YLD-9042-N        |    |           |
| 光源             | LED68.4W(22.8W×3) |    |           |
| 実効光束<br>(器具光束) | 8607lm            | 効率 | 125.8lm/W |



配光曲線図

実光度



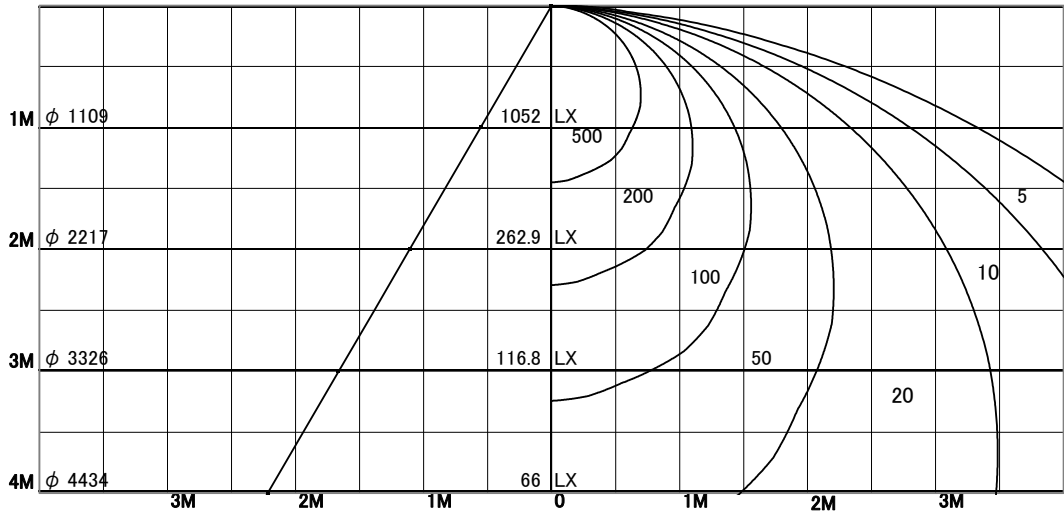
1/2照度角

直射水平面照度

単位:Lx

|        |       |      |
|--------|-------|------|
| 色温度    | 5000K |      |
| 演色評価指数 | Ra83  |      |
| 保守率    | 良     | 0.69 |
|        | 中     | 0.67 |
|        | 否     | 0.63 |

|        |      |     |
|--------|------|-----|
| 1/2照度角 |      |     |
| A-A'   | 58.0 | Deg |
| C-C'   | 62.5 | Deg |
| 最大取付間隔 |      |     |
| A-A'   | 1.11 | H   |
| C-C'   | 1.21 | H   |



照明率表

| 天井    | 80% |     |     |     | 70% |     |     |     | 50% |     |     |     | 30% |     |     |     | 0% |
|-------|-----|-----|-----|-----|-----|-----|-----|-----|-----|-----|-----|-----|-----|-----|-----|-----|----|
|       | 70% | 50% | 30% | 10% | 70% | 50% | 30% | 10% | 70% | 50% | 30% | 10% | 70% | 50% | 30% | 10% | 0% |
| 壁     | 10% |     |     |     |     |     |     |     |     |     |     |     |     |     |     |     | 0% |
| 床     | 10% |     |     |     |     |     |     |     |     |     |     |     |     |     |     |     | 0% |
| 0.60  | 17  | 14  | 12  | 11  | 16  | 14  | 12  | 11  | 16  | 13  | 12  | 11  | 15  | 13  | 12  | 10  | 10 |
| 0.80  | 19  | 16  | 14  | 13  | 19  | 16  | 14  | 13  | 18  | 16  | 14  | 13  | 17  | 15  | 14  | 13  | 12 |
| 1.00  | 21  | 18  | 17  | 15  | 20  | 18  | 16  | 15  | 20  | 18  | 16  | 15  | 19  | 17  | 16  | 15  | 14 |
| 1.25  | 22  | 20  | 18  | 17  | 22  | 20  | 18  | 17  | 21  | 19  | 18  | 17  | 21  | 19  | 18  | 17  | 16 |
| 1.50  | 23  | 21  | 20  | 19  | 23  | 21  | 20  | 19  | 22  | 21  | 19  | 18  | 22  | 20  | 19  | 18  | 18 |
| 2.00  | 25  | 23  | 22  | 21  | 25  | 23  | 22  | 21  | 24  | 23  | 22  | 21  | 23  | 22  | 21  | 20  | 20 |
| 2.50  | 26  | 25  | 23  | 22  | 25  | 24  | 23  | 22  | 25  | 24  | 23  | 22  | 24  | 23  | 22  | 22  | 21 |
| 3.00  | 26  | 25  | 24  | 23  | 26  | 25  | 24  | 23  | 25  | 25  | 24  | 23  | 25  | 24  | 23  | 23  | 22 |
| 4.00  | 27  | 26  | 25  | 25  | 27  | 26  | 25  | 25  | 26  | 25  | 25  | 24  | 25  | 25  | 24  | 24  | 23 |
| 5.00  | 27  | 27  | 26  | 26  | 27  | 26  | 26  | 25  | 26  | 26  | 25  | 25  | 26  | 25  | 25  | 25  | 24 |
| 7.00  | 28  | 27  | 27  | 26  | 28  | 27  | 27  | 26  | 27  | 27  | 26  | 26  | 26  | 26  | 26  | 25  | 25 |
| 10.00 | 28  | 28  | 28  | 27  | 28  | 28  | 27  | 27  | 27  | 27  | 27  | 26  | 27  | 26  | 26  | 26  | 25 |